

# Encore ENC1 Wall Arm Mount

INTERIOR/EXTERIOR

| MODEL | LENGTH | WATTS   | COLOR TEMPERATURE | VOLT  | OPTIC | DRIVER LOCATION | OPTIONS                            | COLOR               |
|-------|--------|---|-------------------|-------|-------|-----------------|------------------------------------|---------------------|
| ENC1  | 8"     | 19L 19 watts <sup>1</sup><br>2115 lumens <sup>2</sup> | 40*               | 4000K | 120*  | SP 20° spot     | REM remote DIM 0 - 10 volt dimming | WT white texture    |
|       | 12"    | 13L 13 watts <sup>1</sup><br>1535 lumens <sup>2</sup> | 35                | 3500K | 208   | NF 30° narrow   | INT integral                       | BT black texture    |
|       | 18"    | 9L 9 watts <sup>1</sup><br>1123 lumens <sup>2</sup>   | 30                | 3000K | 240   | FL 50° flood    |                                    | SM silver metallic  |
|       |        |   | 27                | 2700K | 277   | WF 80° wide     |                                    | AN aluminum natural |
|       |        |   |                   |       |       |                 |                                    | BZ bronze           |
|       |        |   |                   |       |       |                 |                                    | GM gunmetal         |
|       |        |   |                   |       |       |                 |                                    | WS white satin      |
|       |        |   |                   |       |       |                 |                                    | BM black matte      |
|       |        |   |                   |       |       |                 |                                    | RAL specify no.     |

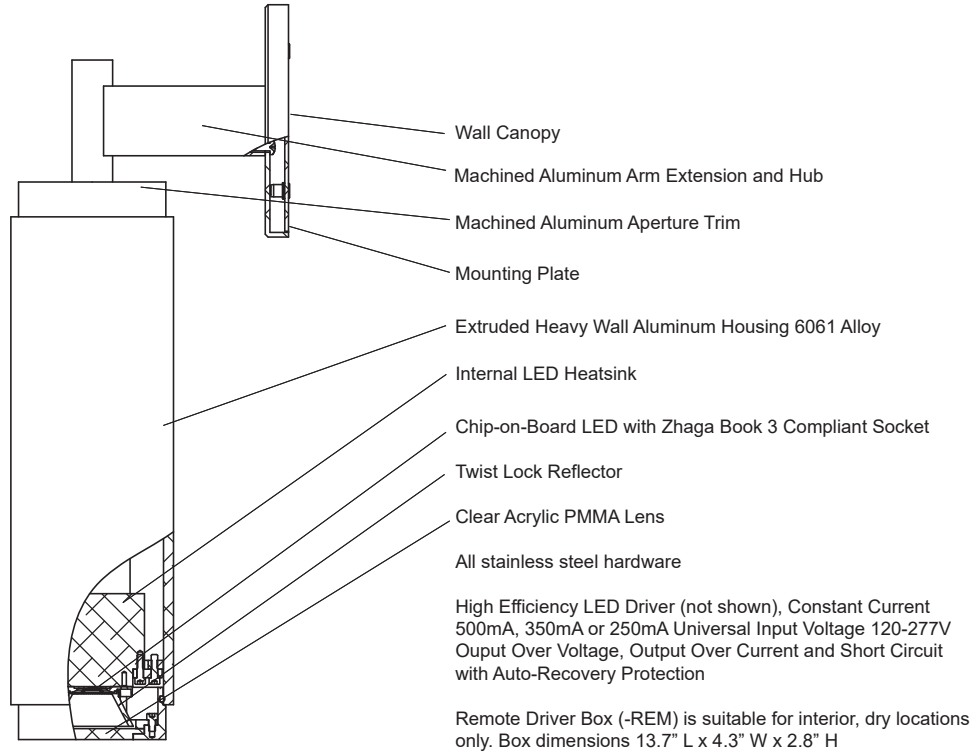
\*Standard configuration unless otherwise specified

<sup>1</sup>Nominal LED Power <sup>2</sup>Delivered (4000K, 80CRI), lumens per module +Remote driver only

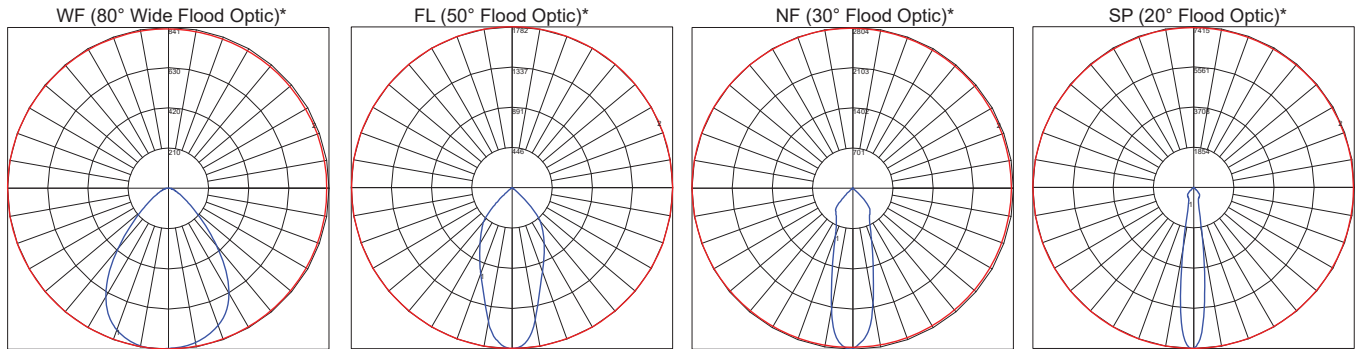
SAMPLE CATALOG NUMBER: ENC1 - 12" - 19L - 40 - 120 - SP - INT - WT

Using this catalog number would order 1 model ENC1 12" wall arm mount luminaire with 1 - 19 watt LED modules with a spot optic, a color temperature of 4000K wired to 120 volts, integral driver, painted white texture polyester powder coat.

| CONSTRUCTION   | MOUNTING   | OPTICAL   | PROTECTION   |
|--|--|---|--|
| <p><b>Materials</b><br/>All aluminum construction, stainless steel tamper resistant hardware, acrylic lens.</p> <p><b>Electrical Components</b><br/>Constant current driver 500mA, 350mA or 250mA, COB with Zhaga compliant socket, 80 CRI standard. Optional dimming driver compatible with IEC60929:2006 0-10V ballast controls.</p> | <p>The ENC1 series is designed for wall mounting. A heavy gauge mounting plate is secured to the wall and mounted independently of the recessed 4" octagon j-box (by others). Integrally mounted driver uses 4.5 or 5.0 cubic inches of J-Box volume. A suitable J-Box example is 15 cubic inch capacity Iberville 54151 or 21 cubic inch capacity Iberville 54171 (not included). For ease of installation a 2.125" deep 21 inch cubic capacity J-Box is recommended when possible.</p> | <p>The ENC1 luminaire uses Chip-on-Board technology with Zhaga Book 3 compliant socket and high efficiency twist lock optics with clear acrylic lens.</p> | <p>The ENC1 series is listed for use in wet locations to UL and CSA Standards. Reported L70 &gt; 50,000 hours. IP65 rated.</p> |



## Encore ENC1



\*Based on ENC1-13L

| Product  | CCT  | CRI | Delivered Lumens | Nominal LED Power | System Power | Lumens per Watt* |
|----------|------|-----|------------------|-------------------|--------------|------------------|
| ENC1-19L | 4000 | 80  | 2115             | 19 watts          | 19.4 watts   | 109.0            |
| ENC1-13L | 4000 | 80  | 1535             | 13 watts          | 12.9 watts   | 118.9            |
| ENC1-9L  | 4000 | 80  | 1123             | 9 watts           | 10.7 watts   | 104.9            |

\*Based on system power