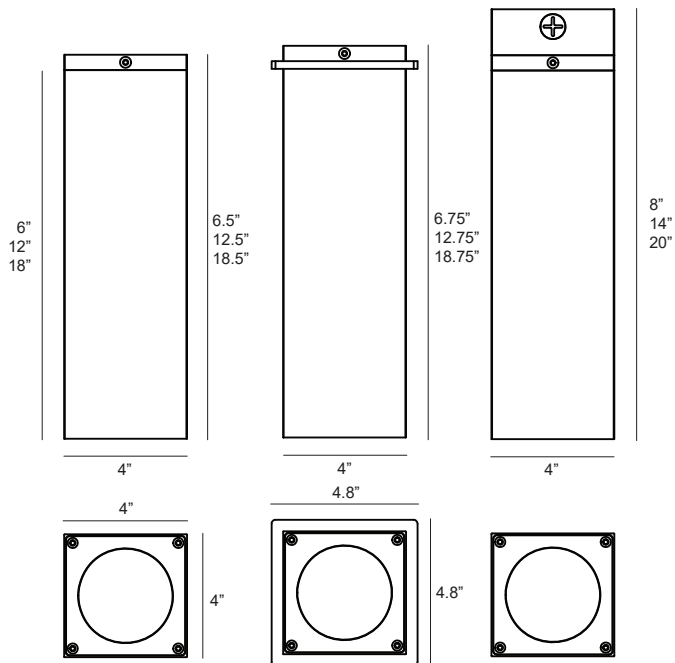




6" length shown



With Accent Plate

With Surface Canopy

Tessaera 3921LED Surface Ceiling Mount

INTERIOR/EXTERIOR

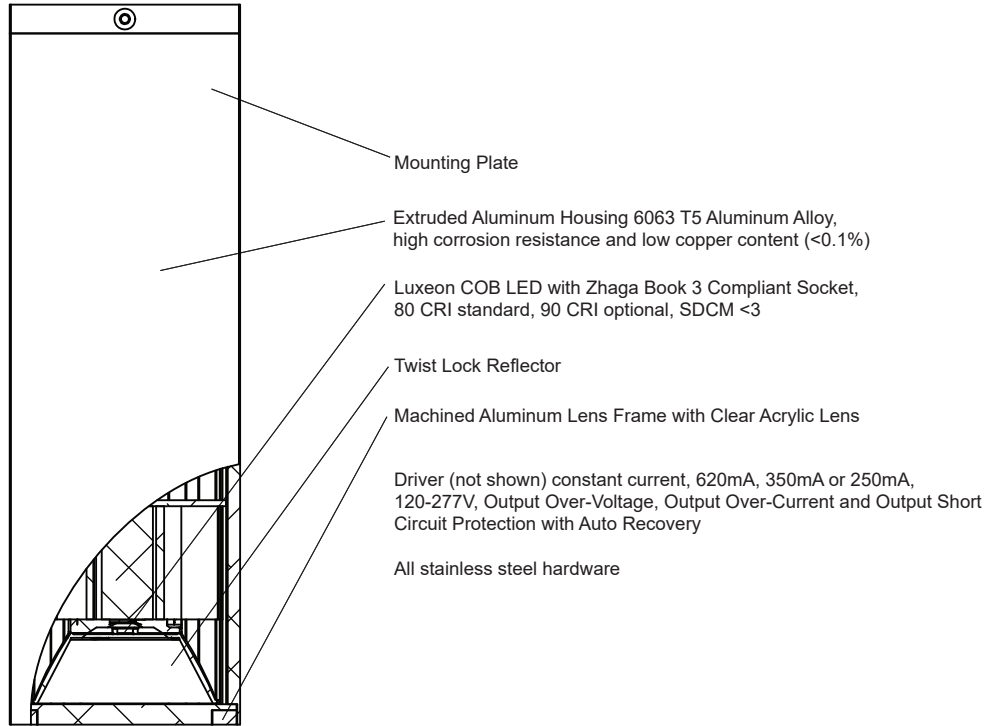
MODEL	LENGTH	LED MODULE	COLOR TEMPERATURE	VOLT	DISTRIBUTION	OPTIONS	COLOR	
3921	18"	23L <i>1 x 23 watts¹ 2271 lumens²</i>	40*	4000K	120*	SP <i>19° spot</i>	90 <i>90 CRI</i>	WT <i>white texture</i>
	12"	12L <i>1 x 12 watts¹ 1219 lumens²</i>	35	3500K	208	FL <i>30° flood</i>	DIM <i>dimming (0-10V)</i>	BT <i>black texture</i>
	6"	9L <i>1 x 9 watts¹ 930 lumens²</i>	30	3000K	240	WFL <i>45° wide flood</i>	1 <i>painted accent plate</i>	SM <i>silver metallic</i>
			27	2700K	277	VWFL <i>94° very wide flood</i>	3 <i>stainless steel accent plate</i>	AN <i>aluminum natural</i>
						SC <i>surface wiring conduit feed canopy</i>	BZ <i>bronze</i>	
						SC1 <i>surface wiring canopy</i>	GM <i>gunmetal</i>	
						CP(_) <i>ceiling plate (specify 6, 8 or 10")</i>	WS <i>white satin</i>	BM <i>black matte</i>
						NAT <i>natorium construction</i>	RAL <i>specify no.</i>	

*Standard configuration unless otherwise specified ¹Nominal LED Power ²Delivered lumens (4000K, 80CRI)

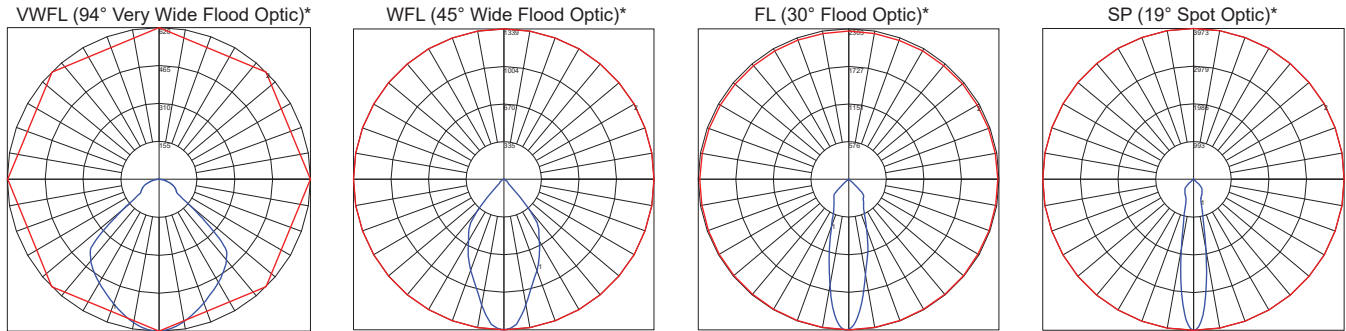
SAMPLE CATALOG NUMBER: 3921 - 12" - 12L - 40 - 120 - SP - 1 - WT

Using this catalog number would order 1 model 3921 ceiling mount luminaire with a 12" housing length using spot optics and a 12 watt LED module with a color temperature of 4000K wired to 120 volts and a decorative accent plate painted to match the luminaire in white texture polyester powder coat.

CONSTRUCTION	MOUNTING	OPTICAL	PROTECTION
<p>Materials All aluminum construction, stainless steel tamper resistant hardware, acrylic lens.</p> <p>Electrical Components Constant current driver 620mA, 350mA or 250mA, Luxeon COB LED with Zhaga compliant socket. 80 CRI standard. Optional dimming driver compatible with IEC60929:2006 0-10V ballast controls.</p>	<p>The 3921LED series is designed for ceiling mounting. The LED driver is integrally fixed to a mounting plate and designed to fit into a 4" octagon j-box (by others). The LED driver supplied with the fixture uses 4.5 cubic inches of J-Box volume. A suitable J-Box example is 15 cubic inch capacity Iberville 54151 (not included). Optional surface wiring canopy suitable for 1/2" conduit feed (no j-box required). Optional ceiling plate available to cover mounting surface, 6, 8 or 10" square. For outdoor applications silicone seal is required. Maximum fixture weight is 9 lbs.</p>	<p>The 3921LED luminaire uses Chip-on-Board technology with Zhaga Book 3 compliant socket, field changeable high efficiency twist lock reflectors and clear acrylic lens.</p>	<p>The 3921LED series is listed for use in wet locations to UL and CSA Standards, covered ceiling mount only. Reported L70 (10k) > 55,000 hours per TM-21. Calculated L70 >100,000 hours at 45°C ambient. IP65 rated.</p>



Tessera 3921LED



*Based on 3121-12L

Product	CCT	CRI	Delivered Lumens	Nominal LED Power	System Power	Lumens per Watt*
3921-23L	4000	80	2271	23 watts	26.00 watts	87.0
3921-12L	4000	80	1219	12 watts	13.63 watts	89.4
3921-9L	4000	80	930	9 watts	9.64 watts	96.5

Lumen Multipliers	3500K - 0.962	3000K - 0.944	2700K - 0.923	90 CRI - 0.842
-------------------	---------------	---------------	---------------	----------------

*Based on system power.