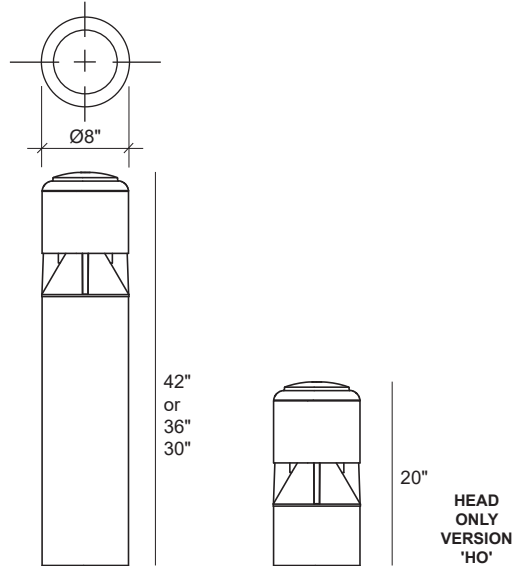




Shown with Polished Cast Aluminum Reflector



# Sightlines Sentry 2868LED Maxi Bollard

EXTERIOR

**HEAVY .250" THICK COLD ROLLED STEEL SHAFT AND CAST ALUMINUM CONSTRUCTION**

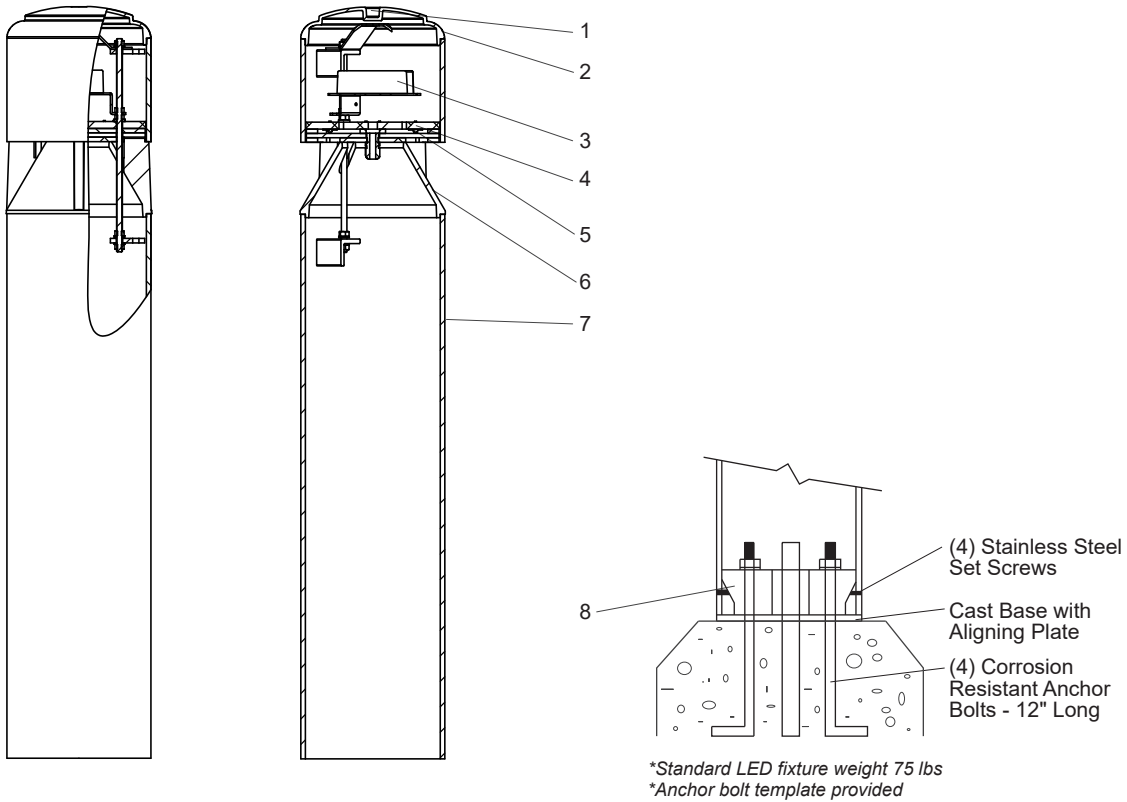
MODEL	LED	COLOR TEMPERATURE	VOLT	HEIGHT	OPTIONS	COLOR
2868	32L 32 watts 4300 lumens <sup>1</sup>	40 4000K	120*	42" *	HO <i>head only (20" O.A.)</i>	WT <i>white texture</i>
		35 3500K	208	36"	PR <i>polished cast aluminum reflector</i>	BT <i>black texture</i>
		30 3000K	240	30"	BMT <i>barricade mounting tenon</i>	SM <i>silver metallic</i>
			277		180° <i>asymmetric distribution with house side shield 16 watts, half output</i>	AN <i>aluminum natural</i>
			347+		80 <i>80 CRI</i>	BZ <i>bronze</i>
					WS <i>white satin</i>	
					BM <i>black matte</i>	
					RAL <i>specify no.</i>	

\*Standard configuration unless otherwise specified +Consult factory <sup>1</sup>Source Lumens (4000K, 70CRI)

SAMPLE CATALOG NUMBER: 2868LED - 32L - 40 - 120 - 42 - BT

Using this catalog number would order 1 model 2868LED maxi illuminated bollard with 32 watt LED light engine with a color temperature of 4000K wired to 120 volts with a 42" height, painted with black texture polyester powder coat. Anchor bolt set is provided.

CONSTRUCTION	MOUNTING	OPTICAL	PROTECTION
<p><b>Materials</b> Cast aluminum (.188" wall) marine grade top cap, reflector, heat sink and base plate. Shaft and housing: .250" thick cold rolled steel seamless tube. Anchorage: Galvanized (hot dipped) steel.</p> <p><b>LED Components</b> Driver: Electronic, constant current, 120-277 Volt. LEDs: 4 x Luxeon M Emitters, 70 CRI standard.</p>	<p>The 2868LED maxi bollard is designed to attach to a poured concrete foundation (by others) using anchor bolts, template and hardware provided. Standard mounting locks shaft to a cast aluminum base plate. Vandal resisting mount is provided by an optional internally fastened tenon assembly (BMT Option).</p>	<p>A sealed optical compartment provides high optical efficiency, excellent transparency and protects the LED modules. Side shield provides asymmetric distribution by reducing the number of LEDs. Reflector casting is painted black matte as a standard, polished cast aluminum reflector is optional.</p>	<p>The 2868LED sightlines bollard is listed for use in wet locations to UL and CSA Standards.</p> <p>LED life 50,000 hours minimum at 70% lumen maintenance.</p>



\*Standard LED fixture weight 75 lbs  
\*Anchor bolt template provided

## Sightlines Sentry™ 2868LED Detailed Product Description

- |   |   |   |   |
|---|---|---|---|
| 1 | 5/16 - 18 S/S Cap HD Screw with Seal Washer | 6 | Cast Aluminum Reflector, Painted Black Matte Standard<br>Optional Polished Aluminum Reflector (Add -PR) |
| 2 | Top Casting - Aluminum                      | 7 | Ø8" .250" Thick Steel Shaft   |
| 3 | Driver (Dimming)                            | 8 | Cast Aluminum Base Plate with (4) Ø1/2" Anchor Bolts  |
| 4 | Heat Sink                                   |   |   |
| 5 | Luxeon M Emitter (x 4, 1 per quadrant)      |   |   |

### MOUNTING DETAILS

#### Barricade Mount - 'BMT'

