

Orchestra Circle 2756A2LED Maxi Twin Streetscape Post Arm EXTERIOR

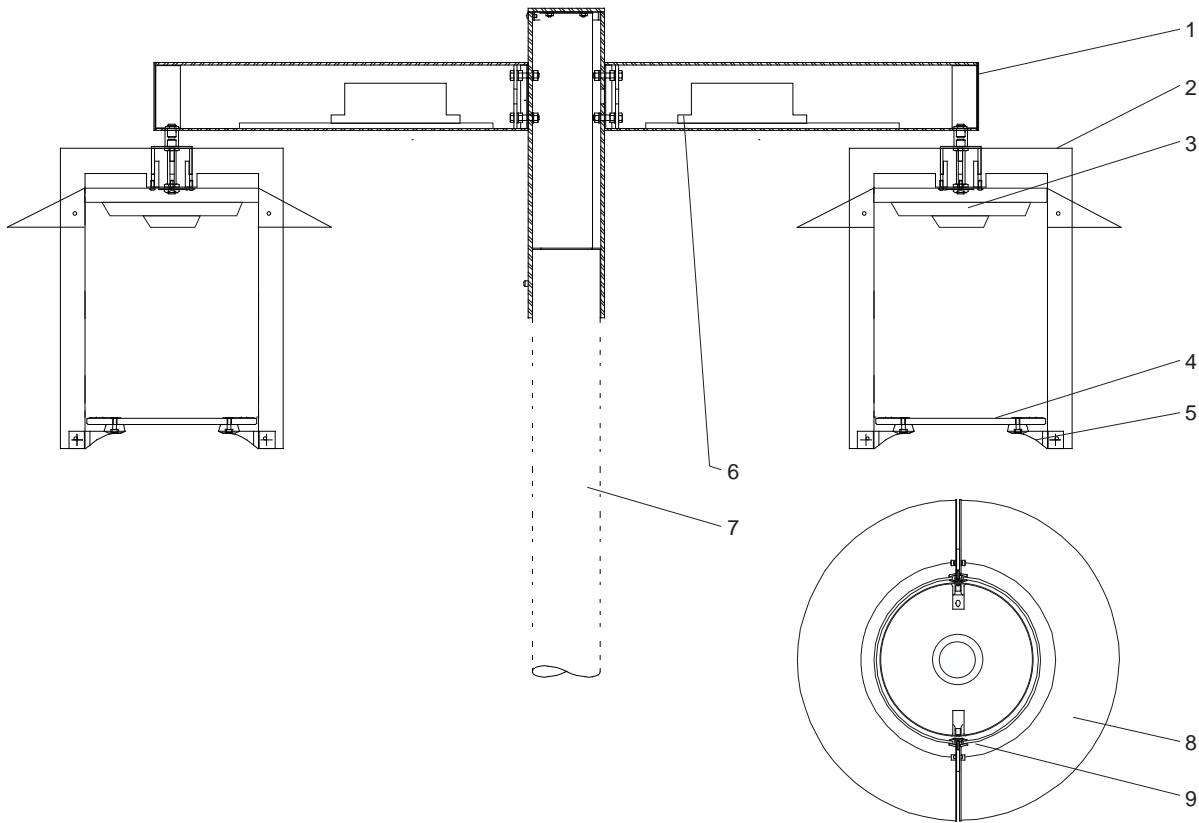
MODEL	LED		VOLT	SHIELD	DIFFUSER	OPTIONS	COLOR
	WATTS	COLOR TEMPERATURE					
2756A2	32L	40	120*	PF <i>perforated liner</i>	RF* <i>frost</i> CL <i>clear</i>	DIM <i>dimming driver</i> T2 <i>type II optic</i> T3 <i>type III optic</i> 90 <i>90 CRI</i>	WT <i>white texture</i>
	2612 lumens ¹ 32w LED/ 38w system	4000K	208				BT <i>black texture</i>
		30	240				SM <i>silver metallic</i>
		3500K	277				AN <i>aluminum natural</i>
		347+		BZ <i>bronze</i>			
				GM <i>gunmetal</i>			
				WS <i>white satin</i>			
				BM <i>black matte</i>			
				RAL <i>specify no.</i>			

*Standard configuration unless otherwise specified ¹Delivered lumens per head based on PF option and standard frost diffuser (4000K, 80CRI) +Consult factory

SAMPLE CATALOG NUMBER: 2756A2 - 32L40 - 120 - RF - WT

Using this catalog number would order 1 model 2756A2 twin post arm luminaire with two 4000K, 80 CRI LED light engines at 120 volts with frosted acrylic lens, painted with white texture polyester powder coat. Poles are supplied separately.

CONSTRUCTION	MOUNTING	OPTICAL	PROTECTION
<p>Materials</p> <p>Support frame: Heavy aluminum plate. Hinge/Lock up: Pressure die cast aluminum. Mounting arm bracket: Extruded aluminum. Reflector disks / Lampholder cover: Aluminum sheet, die formed. Diffusers (side): Thermo-formed acrylic. Bottom lens: Acrylic.</p> <p>Electrical Components</p> <p>Driver: Constant current 900mA, 84% efficiency. Light engine: COB 1208 24mm x 20mm with a 15mm LES.</p>	<p>Luminaire is designed to slip fit a 4" OD pole top OD tenon (4" long). Three 1/4 - 20 stainless steel set screws lock ballast compartment to pole or tenon.</p>	<p>Luminaire has a choice of frost or clear lens and diffuser, with frost supplied as standard. The perforated liner is supplied if specified. The reflector disk is fixed in the top position. Standard optic Type V square (130°).</p>	<p>The Orchestra maxi twin post arm is listed for use in wet locations to UL and CSA Standards. Windloading EPA = 3.72 sq ft.</p> <p>LEDs are rated for 50,000 hour life with lumen maintenance >70% (L70).</p>



Orchestra Circle 2756A2LED Detailed Product Description

- | | | | |
|---|--|---|--|
| 1 | Mounting Arm Bracket - 2" x 4" x .100" Thick Extruded Aluminum | 6 | Driver - 900 mA |
| 2 | Frame Support .250" Aluminum | 7 | Pole (Not Included) Ø4.0" |
| 3 | LED Light Engine with Silicone Optic and Heat Sink | 8 | Reflector Disk .102" Aluminum (Fixed - Top Position) |
| 4 | Acrylic Lens .375" Thick | 9 | Acrylic Cylinder (.125" Thick) |
| 5 | Diecast Aluminum Lock Up | | |