



REBELLE
ARCHITECTURAL
LIGHTING

Product Specification
Guide



CYL-003 7600 INDIRECT POST TOP



INTRODUCTORY PAGES

Rebelle's Design Philosophy – The Family Concept

Family Lines **3**

Our Product Focus **5**

About Rebelle

Company Profile

Sales Agent Representatives **7**

Rebelle's Website

rebellelighting.com

Applications – Lighting Studies

Industrial Design & Product Development **9**

Quality Assurance

Environmentally Conscious Practices **11**

Powder Coat Paint Finish Selection

Eight Standard Colors

Surface Preparation and Application Process **13**

PRODUCT FAMILIES

Orchestra Circle **15**

Orchestra Circle Specification Pages 21

Orchestra Ellipse **39**

Orchestra Ellipse Specification Pages 45

Saturna **59**

Saturna Specification Pages 65

Saturna Building Mount Specification Pages 85

Streamline **97**

Indirect Specification Pages 103

Direct Specification Pages 121

Vertical Plane Wash Specification Pages 137

Decorative Sconce Specification Pages 145

CYL-003 **151**

CYL-003 Specification Pages 157

CYL-003 Asymmetric Specification Pages 169

Sightlines **177**

Cast - Recessed Wall Specification Pages 181

Stainless - Steel Recessed Wall Specification Pages 193

Recessed Ceiling Specification Pages 203

Poles **209**

Pole Specification Pages 211

INDEX

Product Family **222**

Luminaire Type **223**

Alphanumerical **224**



Rebelle's Design Philosophy The Family Concept

Rebelle Architectural Lighting provides high quality families of coordinated architectural lighting for both exterior and interior applications. Available in a variety of scales and mounting configurations to suit every building condition. The coordination

and specification of lighting is simplified by Rebelle for all levels of specifiers – architects, consulting electrical engineers, lighting designers, interior designers and design-build contractors.

Family Lines

The current product lines offered by Rebelle are a result of 30 years of product innovation and evolution. There are five families and a collection of complimentary steplights suitable for any project.

Orchestra Circle
Orchestra Ellipse

Saturna
Streamline

CYL-003
Sightlines

Photo: Derek Lepper courtesy of Henriquez Partners Architects.



Our Product Focus

Rebelle's luminaires have been designed to ease the coordination and specification of lighting by providing families of luminaires that flow from the exterior to the interior of a building project. We offer multiple scales and mounting configurations of the same design theme to allow a specifier to easily coordinate lighting on a project.

Our main focus has been to design luminaires for use in highly visible locations either within a building or the area adjacent to a building. A family of luminaires to complement the architecture of a project can be chosen and the multiple product types allow the look to be carried from the exterior to the interior spaces.

The Product Specification Guide displays the product family concept as it is today. Within each family you will find a full range of products designed to suit every condition of a building, including, post, bollard, pendant, sconce, ceiling, recessed and wall mount luminaires. In each product family, both scale and application have been considered to ensure that the same look can be carried throughout a project.

If you do not find what you need to suit your project requirements please consult the factory directly. We can usually offer custom modifications to our standard product to suit your specific needs.



"It's misleading
to suppose
there's any
basic *difference*
between education
and
entertainment."

About Rebelle
Company Profile

Founded in 1980, the current product lines offered by Rebelle are a result of 30 years of product innovation and evolution. Rebelle Architectural Lighting has a dedicated product design and development department committed to creating and expanding our luminaire families. Rebelle products are conceived as complete families from the inception of the product development process. As a result of this process, the Rebelle product

portfolio is constantly expanding to create fixtures for every condition of a building within each product family. Our products are designed and manufactured to be high quality luminaires in design, durability and performance. All of our product components are manufactured locally or sourced in North America. We are located in Maple Ridge, British Columbia, on the West Coast of Canada.

Sales Agent Representatives

Rebelle is represented in every major market area throughout the USA and Canada. Our sales agent representatives provide dedicated service to the lighting marketplace in each geographic area. The Rebelle website provides a listing of all

our agents and their contact details for your convenience. All of our agents are well versed in the application of Rebelle product families and are equipped with samples and literature.



Rebelle's Website rebellelighting.com

Rebelle's website is designed to provide quick and easy navigation. Full details on all Rebelle products are just a few clicks away. Search by family, product type, application or product number – speed is of the essence. Catalog sheets, specification pages, technical manuals, installation instructions,

IES format application files along with photographs of installations are at your fingertips. Hard copy information is available upon request. Specification binders with full color brochures and full color, bound specification guides are available through our sales agent representatives.

Applications – Lighting Studies

Rebelle and Rebelle's agents have the facility to provide lighting layouts in a timely manner. Rebelle has a Lighting Certified product designer on staff to handle requests not covered by our agents. If required, we offer *Visual* or *AGI32* layouts and rendered space outputs.

Industrial Design and Product Development

The product development process at Rebelle begins with the industrial design concepts that are modeled in *solidThinking*. Volumetric models are produced, and these models, as well as the concept drawings, are discussed within architectural focus groups to ensure that the final product incorporates the most desired

features. Once the designs become established, the engineering group designs the detailed product using *SolidWorks* and *AutoCAD*. Samples are made and extensively tested to ensure complete repeatability of all components within the production system.

Quality Assurance

Rebelle's products are designed and manufactured to be high quality luminaires in design, durability and performance. To help strive for the highest standards of quality, Rebelle maintains a quality assurance system to provide a structure for continually improving processes and satisfying customer requirements. Each employee at Rebelle

is a responsible member of our team and plays a key role in ensuring conformance to our quality system. The materials used in our products, and the production processes used to create them, are specified and controlled to ensure the customer receives a high quality end product.

Environmentally Conscious Practices

Rebelle's mandate is to manufacture our products while limiting environmental impact. Wherever possible, we try to eliminate adding waste to our environment by recycling materials used in the manufacturing process and recycling office materials.

We limit emissions to the airshed through the use of our powder coat paint process and, where possible, by sourcing product components locally. Materials are sourced through local vendors to eliminate the need to transport materials over long distances.

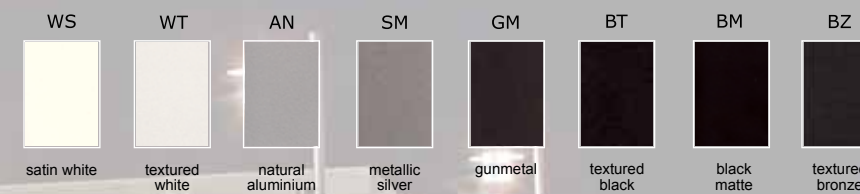
Our fixtures use easily recyclable materials such as glass and aluminum. Cartons

use 59% recycled fiber. The paint finish is highly sympathetic to the environment and does not contain any hazardous air pollutants, volatile organic compounds or solvents. Our products are designed to use the latest highly efficient lamps and LED's. Many designs are cut off or full cut off to eliminate sources of unwarranted light pollution. Most of our luminaires use electronic ballasts for higher efficiencies and reduced use of materials. Luminaire design and operational waste reduction both contribute to a conscious respect for the environment.



Powder Coat Paint Finish Selection Eight Standard Colors

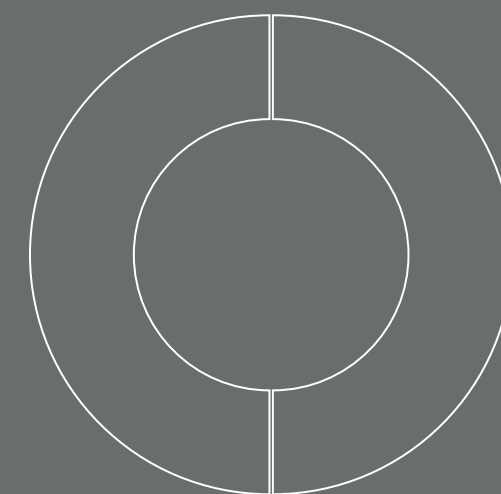
The colors shown below are available for all Rebelle products and are suitable for interior and exterior use. Other colors are available to match RAL standards, or to match a specific color sample. Both RAL and color match are premium priced color options.



Surface Preparation and Application Process

Rebelle's powder painting process utilizes only polyester powders to ensure durability and permanence in outdoor applications. The process follows a documented quality assurance procedure to ensure the longevity of the finish in the most rigorous climates. All of Rebelle's luminaires go through a five-stage chemical pre-treatment prior to paint application in order to remove all surface impurities. To allow for a consistent, even coating on parts, all heavy cast aluminum

and welded assemblies are shot blasted to near white specifications prior to the five stage pre-treatment process. Following pre-treatment, all parts are coated using an electrostatic process to allow for a consistent, even coating on parts. After coating, parts are then transferred to cure in a high temperature oven. Paint production samples are continually checked to ensure they adhere to strictly controlled quality standards.



ORCHESTRA CIRCLE



REBELLE
ARCHITECTURAL
LIGHTING

UBC CAMPUS VANCOUVER B.C.
MINI LANDSCAPE BOLLARD 2757B

ORCHESTRA CIRCLE



1



2



3



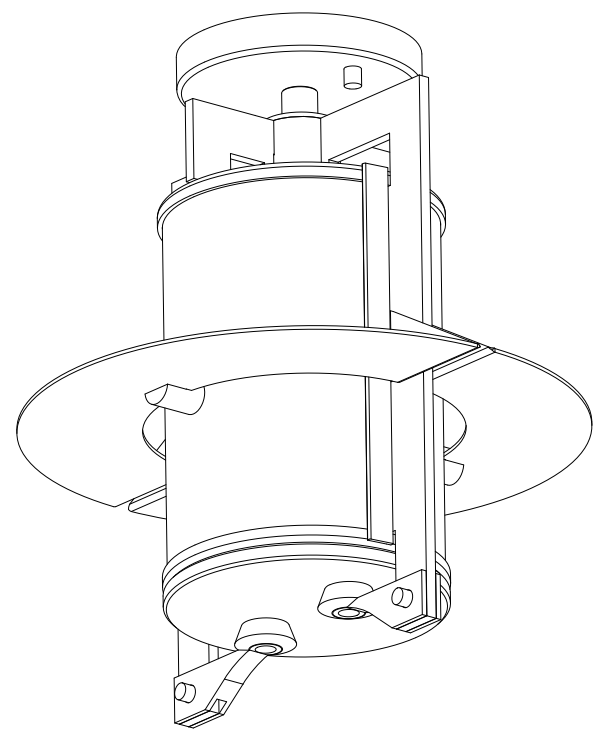
4

REBELLE
ARCHITECTURAL
LIGHTING

MINI CIRCLE PENDANT MOUNT **2757P** 1
MINI CIRCLE WALL ARM MOUNT **2757W** 2
MAXI WALL SCONCE **2756S** 3
MAXI CIRCLE PENDANT MOUNT **2756P** 4



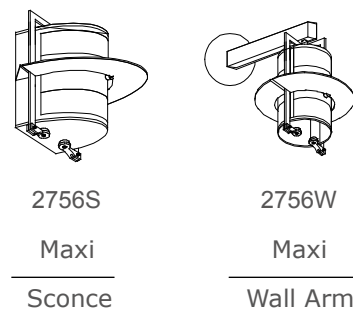
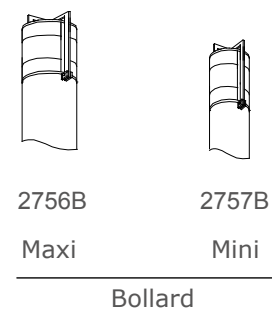
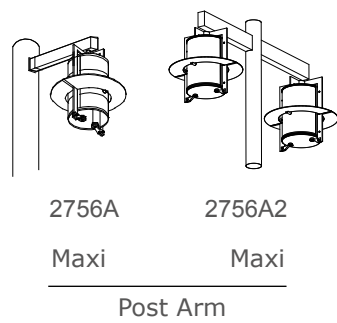
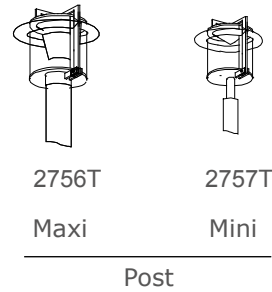
ORCHESTRA CIRCLE 2756P PENDANT MOUNT



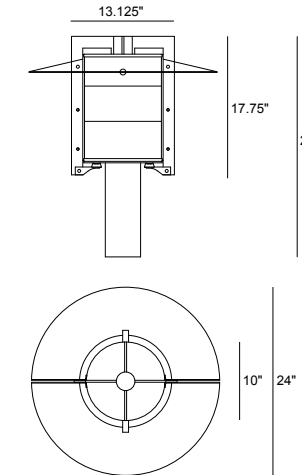
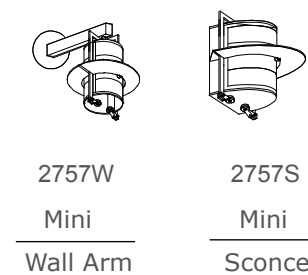
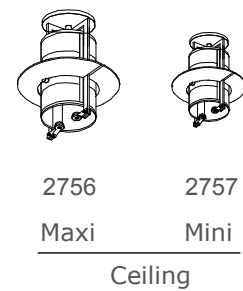
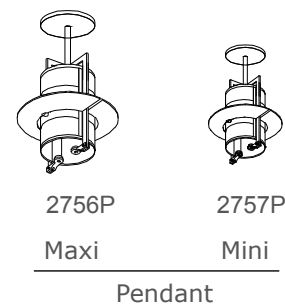
FAMILY
ORCHESTRA CIRCLE

ORCHESTRA CIRCLE

EXTERIOR



INTERIOR



Orchestra Circle 2756T Maxi Streetscape Post Top EXTERIOR

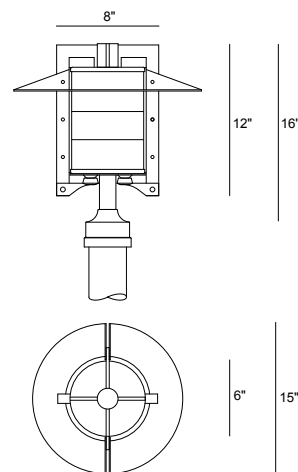
MODEL	LAMP	VOLT	SHIELD	DIFFUSER	REFRACTOR	OPTIONS	COLOUR
2756T	150H <i>metal halide ed-17 medium</i>	120*	GG* <i>glare guard</i>	RF* <i>frost</i>	T5* <i>type V refractor</i>	F <i>fusing</i>	WT <i>white texture</i>
	100H <i>metal halide ed-17 medium</i>	208	PF <i>perforated liner</i>	CL <i>clear</i>	T3 <i>type III refractor</i>		BT <i>black texture</i>
	70H <i>metal halide ed-17 medium</i>	240					SM <i>silver metallic</i>
		277					AN <i>aluminum natural</i>
		347					BZ <i>bronze</i>
							GM <i>gunmetal</i>
							WS <i>white satin</i>
							BM <i>black matte</i>
							RAL <i>specify no.</i>

*Standard configuration unless otherwise specified © EISA Compliant

SAMPLE CATALOG NUMBER: 2756T - 150H - 120 - GG - RF - T5 - WT

Using this catalog number would order 1 model 2756T post top luminaire with a 150 watt metal halide ballast wired to 120 volts with frosted acrylic lens and a glare guard, supplied with a type V refractor and painted with white texture polyester powder coat. Poles are supplied separately. Lamps by others.

CONSTRUCTION	MOUNTING	OPTICAL	PROTECTION
<p>Materials</p> <p>Support frame: Heavy aluminum plate. Hinge/Lock up: Pressure die cast aluminum. Reflector disks / Reflector / Glare guard / Lampholder cover: Aluminum sheet, die formed. Diffusers (side): Thermo-formed acrylic. Pole fitter: 4.5" OD x 12" long, aluminum. Bottom plate: Aluminum. Glass refractor: Type V or Type III distribution.</p>	<p>Unit is designed to fit a 4" OD, 1/8" wall pole with an inside diameter of 3.75" minimum. Three 1/4 - 20 stainless steel set screws lock the head to the pole.</p>	<p>Unit is fitted with a Type V glass refractor that directs light downward. An optional Type III refractor provides an asymmetric lighting distribution to direct more light on to the street side. A glare guard or perforated metal liner provide for glare control. While a 24" diameter reflector disk directs stray light downward.</p>	<p>The Orchestra maxi post top is listed for use in wet locations to UL and CSA Standards. Windloading EPA = 1.35 Sq. Ft.</p>
<p>Electrical Components</p> <p>Ballast: HID - Core & coil, -20°F start.</p>			



Orchestra Circle 2757T Mini Landscape Post Top

EXTERIOR

MODEL	LAMP	VOLT	SHIELD	DIFFUSER	OPTIONS	COLOUR
2757T	50H <i>metal halide¹</i> <i>ed-17 medium</i>	120*	GG* <i>glare guard</i>	RF* <i>frost</i>	F <i>fusing</i>	WT <i>white texture</i>
	142T <i>compact fluorescent</i>	208	PF <i>perforated liner</i>	CL <i>clear</i>		BT <i>black texture</i>
	132T <i>compact fluorescent</i> <i>ttt triple</i>	240				SM <i>silver metallic</i>
		277				AN <i>aluminum natural</i>
		347				BZ <i>bronze</i>
						GM <i>gunmetal</i>
						WS <i>white satin</i>
						BM <i>black matte</i>
						RAL <i>specify no.</i>

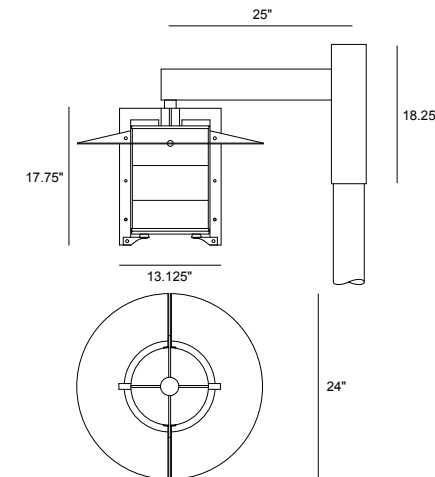
*Standard configuration unless otherwise specified

¹Only available in 120V or 277V

SAMPLE CATALOG NUMBER: 2757T - 50H - 120 - GG - RF - WT

Using this catalog number would order 1 model 2757T mini post top luminaire with a 50 watt metal halide ballast wired to 120 volts with frosted acrylic lens and a glare guard, painted with white texture polyester powder coat. Poles are supplied separately. Lamps by others.

CONSTRUCTION	MOUNTING	OPTICAL	PROTECTION
<p>Materials Support frame: Heavy aluminum plate. Hinge/Lock up: Pressure die cast aluminum. Reflector disks / Reflector / Glare guard / Lampholder cover: Aluminum sheet, die formed. Diffusers (side): Thermo-formed acrylic. Pole fitter: Pressure die cast aluminum. Tenon member: Aluminum conduit. Bottom plate: Aluminum. Fasteners: Stainless steel.</p> <p>Electrical Components Ballast: HID - 120 or 277V only, core & coil, -20°F start. CF - Electronic, 0°F start.</p>	<p>Unit is designed to fit a 3" OD pole (1/8" wall thickness or less). Luminaire head is attached with three stainless steel set screws. Ballast bracket has 7/8" diameter hole to terminate flexible conduit supply and a ground screw assembly. Pole supplied separately.</p>	<p>A glare guard or perforated metal liner provide for glare control. A 15" diameter reflector disk directs stray light downward in the top position but can be field adjusted to top, middle or bottom positions, depending on the effect desired.</p>	<p>The Orchestra mini landscape post top is listed for use in wet locations to UL and CSA Standards. Windloading EPA = 0.53 Sq. Ft.</p>



Orchestra Circle 2756A Maxi Single Streetscape Post Arm

EXTERIOR

MODEL	LAMP	VOLT	SHIELD	DIFFUSER	OPTIONS	COLOUR
2756A	200H [Ⓔ] <i>metal halide</i> <i>ed-17 medium</i>	120*	GG* <i>glare guard</i>	RF* <i>frost</i>	F <i>fusing</i>	WT <i>white texture</i>
	150H <i>metal halide</i> <i>ed-17 medium</i>	208	PF <i>perforated liner</i>	CL <i>clear</i>		BT <i>black texture</i>
	100H <i>metal halide</i> <i>ed-17 medium</i>	240				SM <i>silver metallic</i>
	70H <i>metal halide</i> <i>ed-17 medium</i>	277				AN <i>aluminum natural</i>
		347				BZ <i>bronze</i>
						GM <i>gunmetal</i>
						WS <i>white satin</i>
						BM <i>black matte</i>
						RAL <i>specify no.</i>

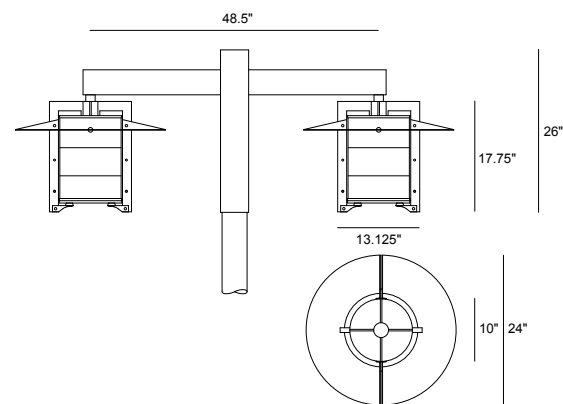
*Standard configuration unless otherwise specified

[Ⓔ] EISA Compliant

SAMPLE CATALOG NUMBER: 2756A - 150H - 120 - GG - RF - WT

Using this catalog number would order 1 model 2756A single post arm luminaire with a 150 watt metal halide ballast wired to 120 volts with frosted acrylic lens and a glare guard, painted with white texture polyester powder coat. Poles are supplied separately. Lamps by others.

CONSTRUCTION	MOUNTING	OPTICAL	PROTECTION
<p>Materials Support frame: Heavy aluminum plate. Hinge/Lock up: Pressure die cast aluminum. Mounting arm bracket: Extruded aluminum. Reflector disks / Glare guard / Lampholder cover: Aluminum sheet, die formed. Diffusers (side): Thermo-formed acrylic. Bottom lens: Acrylic.</p> <p>Electrical Components Ballast: HID - Core & coil, -20°F start.</p>	<p>Luminaire is designed to slip fit a 4" OD pole top OD tenon (4" long). Three 1/4 - 20 stainless steel set screws lock ballast compartment to pole or tenon.</p>	<p>Luminaire has a choice of lens, diffuser and lamp shield configurations. The standard configuration is a frosted side and bottom lens in combination with the solid internal glare band. The alternate optical configuration uses the perforated metal internal liner along with clear lens and diffusers. It is possible to use the solid glare band with clear lens and diffusers and the frost lens and diffusers with the perforated metal liner. The reflector disk is adjustable to three separate positions to disperse the light vertically.</p>	<p>The Orchestra maxi single post arm is listed for use in wet locations to UL and CSA Standards. Windloading EPA = 1.86 sq ft</p>



Orchestra Circle 2756A2 Maxi Twin Streetscape Post Arm EXTERIOR

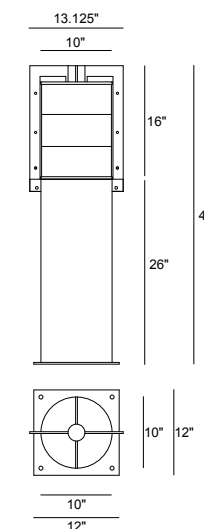
MODEL	LAMP	VOLT	SHIELD	DIFFUSER	OPTIONS	COLOUR
2756A2	200H [Ⓜ] metal halide ed-17 medium	120*	GG* glare guard	RF* frost	F fusing	WT white texture
	150H metal halide ed-17 medium	208	PF perforated liner	CL clear		BT black texture
	100H metal halide ed-17 medium	240				SM silver metallic
	70H metal halide ed-17 medium	277				AN aluminum natural
		347				BZ bronze
						GM gunmetal
						WS white satin
						BM black matte
						RAL specify no.

*Standard configuration unless otherwise specified [Ⓜ] EISA Compliant

SAMPLE CATALOG NUMBER: 2756A2 - 150H - 120 - GG - RF - WT

Using this catalog number would order 1 model 2756A2 twin post arm luminaire with two 150 watt metal halide ballasts wired to 120 volts with frosted acrylic lens and a glare guard, painted with white texture polyester powder coat. Poles are supplied separately. Lamps by others.

CONSTRUCTION	MOUNTING	OPTICAL	PROTECTION
<p>Materials Support frame: Heavy aluminum plate. Hinge/Lock up: Pressure die cast aluminum. Mounting arm bracket: Extruded aluminum. Reflector disks / Glare guard / Lampholder cover: Aluminum sheet, die formed. Diffusers (side): Thermo-formed acrylic. Bottom lens: Acrylic.</p> <p>Electrical Components Ballast: HID - Core & coil, -20°F start.</p>	<p>Luminaire is designed to slip fit a 4" OD pole top OD tenon (4" long). Three 1/4 - 20 stainless steel set screws lock ballast compartment to pole or tenon.</p>	<p>Luminaire has a choice of lens, diffuser and lamp shield configurations. The standard configuration is a frosted side and bottom lens in combination with the solid internal glare band. The alternate optical configuration uses the perforated metal internal liner along with clear lens and diffusers. It is possible to use the solid glare band with clear lens and diffusers and the frost lens and diffusers with the perforated metal liner. The reflector disk is adjustable to three separate positions to disperse the light vertically.</p>	<p>The Orchestra maxi twin post arm is listed for use in wet locations to UL and CSA Standards. Windloading EPA = 3.72 sq ft</p>



Orchestra Circle 2756B Maxi Streetscape Bollard EXTERIOR

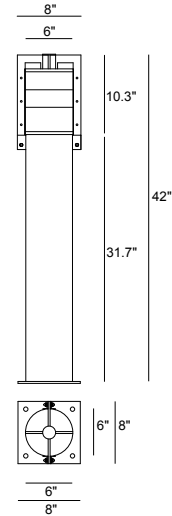
MODEL	LAMP	VOLT	SHIELD	DIFFUSER	OPTIONS	COLOUR
2756B	150H metal halide ed-17 medium	120*	GG* glare guard	RF* frost	F fusing	WT white texture
	100H metal halide ed-17 medium	208	PF perforated liner	CL clear	RD reflector disk	BT black texture
	70H metal halide ed-17 medium	240			BCS base cover - square	SM silver metallic
		277				AN aluminum natural
		347				BZ bronze
						GM gunmetal
						WS white satin
						BM black matte
						RAL specify no.

*Standard configuration unless otherwise specified

SAMPLE CATALOG NUMBER: 2756B - 150H - 120 - GG - RF - WT

Using this catalog number would order 1 model 2756B maxi streetscape bollard with a 150 watt metal halide ballast wired to 120 volts with frosted polycarbonate lens and a glare guard, painted with white texture polyester powder coat. Lamps by others.

CONSTRUCTION	MOUNTING	OPTICAL	PROTECTION
<p>Materials Frame support: Aluminum plate. Bollard shaft: Extruded aluminum. Base plate: 0.500" aluminum plate welded to shaft. Diffusers (side): Thermo-formed polycarbonate. Internal reflector / Glare guard / Lampholder cover: Aluminum sheet, die formed. Fasteners: Stainless steel with nickel plated cap nuts. Anchor bolts: Hot dipped, galvanized nuts, bolts and washers.</p> <p>Electrical Components Ballast: HID - Core & coil, -20°F start.</p>	<p>Luminaire is designed to attach to a poured concrete foundation using anchor bolts, template and hardware provided. Design of concrete base is by others. A square base cover is provided as an optional extra.</p>	<p>The standard optical configuration is the glare guard shield in combination with the light frost diffuser. The alternate configuration is the clear diffuser with the perforated metal shield. The reflector disks are made as an optional extra on the bollard since the disk would be prone to vandalism on a bollard in a public space. If reflector disks are selected, they are three position adjustable.</p>	<p>The Orchestra maxi bollard is listed for use in wet locations to UL and CSA Standards.</p>



Orchestra Circle 2757B Mini Landscape Bollard

EXTERIOR

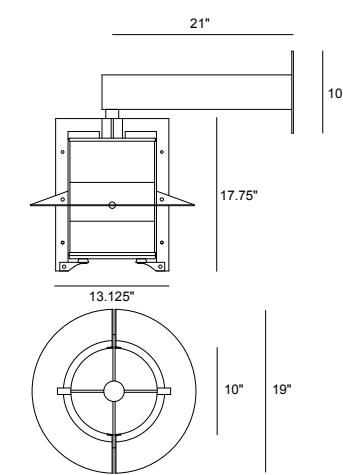
MODEL	LAMP	VOLT	SHIELD	DIFFUSER	OPTIONS	COLOUR
2757B	70H <i>metal halide ed-17 medium</i>	120*	GG* glare guard	RF* frost	F fusing	WT white texture
	50H <i>metal halide ed-17 medium</i>	208	PF perforated liner	CL clear	RD reflector disk	BT black texture
	142T <i>compact fluorescent ttt triple</i>	240			BCS base cover - square	SM silver metallic
	132T <i>compact fluorescent 32w/26w ttt triple</i>	277				AN aluminum natural
		347				BZ bronze
						GM gunmetal
						WS white satin
						BM black matte
						RAL specify no.

*Standard configuration unless otherwise specified

SAMPLE CATALOG NUMBER: 2757B - 70H - 120 - GG - RF - WT

Using this catalog number would order 1 model 2757B mini landscape bollard with a 70 watt metal halide ballast wired to 120 volts with frosted polycarbonate lens and a glare guard, painted with white texture polyester powder coat. Lamps by others.

CONSTRUCTION	MOUNTING	OPTICAL	PROTECTION
<p>Materials</p> <p>Frame support: Aluminum plate. Bollard shaft: Extruded aluminum. Base plate: 0.500" aluminum plate welded to shaft. Diffusers (side): Thermo-formed polycarbonate. Internal reflector / Glare guard / Lampholder cover: Aluminum sheet, die formed. Fasteners: Stainless steel. Anchor bolts: Hot dipped, galvanized nuts, bolts and washers.</p> <p>Electrical Components</p> <p>Ballast: HID - Core & coil, -20°F start. CF - Electronic, <10% THD, variable input 120 to 277 volts, 0°F start.</p>	<p>Luminaire is designed to attach to a poured concrete foundation using anchor bolts, template and hardware provided. Design of concrete base is by others. A square base cover is provided as an optional extra.</p>	<p>The standard optical configuration is the glare guard shield in combination with the light frost diffuser. The alternate configuration is the clear diffuser with the perforated metal shield. The reflector disks are made as an optional extra on the bollard since the disk would be prone to vandalism on a bollard in a public space. If reflector disks are selected, they are three position adjustable.</p>	<p>The Orchestra mini bollard is listed for use in wet locations to UL and CSA Standards.</p>



Orchestra Circle 2756W Maxi Wall Arm Mount

EXTERIOR

MODEL	LAMP	VOLT	SHIELD	DIFFUSER	BALLAST LOCATION	OPTIONS	COLOUR
2756W	200H <i>metal halide ed-17 medium</i>	120*	GG* glare guard	RF* frost	REM* remote ballast ¹	F fusing	WT white texture
	150H <i>metal halide ed-17 medium</i>	208	PF perforated liner	CL clear	INT integral ballast ²		BT black texture
	100H <i>metal halide ed-17 medium</i>	240					SM silver metallic
	70H <i>metal halide ed-17 medium</i>	277					AN aluminum natural
	170T <i>compact fluorescent ttt triple</i>	347					BZ bronze
	157T <i>compact fluorescent ttt triple</i>						GM gunmetal
	142T <i>compact fluorescent ttt triple</i>						WS white satin
	132T <i>compact fluorescent 32w/26w ttt triple or 26w dtt quad</i>						BM black matte
							RAL specify no.

*Standard configuration unless otherwise specified EISA Compliant

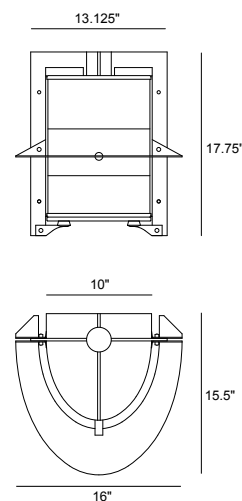
¹HID units only

²HID units supplied with integral ballast canopy, CF units supplied with ballast mounted in arm standard.

SAMPLE CATALOG NUMBER: 2756W - 150H - 120 - GG - RF - REM - WT

Using this catalog number would order 1 model 2756W maxi circle wall arm mount luminaire with a 150 watt remote mounted metal halide ballast wired to 120 volts with frosted acrylic lens and glare guard, painted with white texture polyester powder coat. Lamps by others.

CONSTRUCTION	MOUNTING	OPTICAL	PROTECTION
<p>Materials</p> <p>Support Frame: Heavy aluminum plate. Arm assembly: Rectangular extruded aluminum. Hinge/Lock up: Pressure die cast aluminum. Glare guard / Wall canopy / Reflector disk: Aluminum sheet, die formed. Diffusers (side): Thermo-formed acrylic. Bottom lens: Acrylic. Fasteners: Stainless steel.</p> <p>Electrical Components</p> <p>Ballasts: HID - Core & coil, -20°F start or CF - Electronic <10% THD, 0°F start, variable input 120 to 277 volts.</p>	<p>Luminaire is designed for mounting over a recessed 4" octagon j-box (by others). Holes (4) are provided in wall plate to attach to the wall outside of the j-box. Adequate backing is required inside the wall to support these fixtures. Arm assembly is shipped separately from the head for field attachment. Remote mounted ballast assemblies are standard (consult factory for lamp to ballast distance). An optional integral ballast design is available which adds to the canopy depth on the mounting surface.</p>	<p>A glare guard or perforated metal liner provide for glare control. The reflector disk directs stray light downward and is field adjustable to three positions.</p>	<p>The Orchestra maxi wall arm mount is listed for use in wet locations to UL and CSA Standards.</p>



Orchestra Circle 2756S Maxi Wall Sconce

EXTERIOR

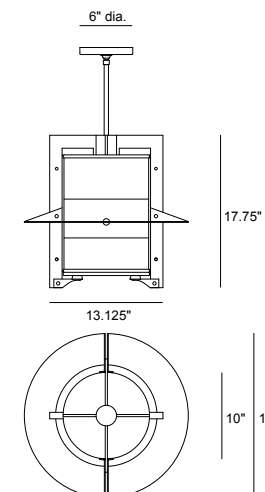
MODEL	LAMP	VOLT	SHIELD	DIFFUSER	OPTIONS	COLOUR
2756S	200H metal halide <small>ed-17 medium</small>	120*	GG* glare guard	RF* frost	F fusing	WT white texture
	150H metal halide <small>ed-17 medium</small>	208	PF perforated liner	CL clear		BT black texture
	100H metal halide <small>ed-17 medium</small>	240				SM silver metallic
	70H metal halide <small>ed-17 medium</small>	277				AN aluminum natural
	170T compact fluorescent <small>ttt triple</small>	347				BZ bronze
	157T compact fluorescent <small>ttt triple</small>					GM gunmetal
	142T compact fluorescent <small>ttt triple</small>					WS white satin
	132T compact fluorescent <small>32w/26w ttt triple or 26w dtt quad</small>					BM black matte
						RAL specify no.

*Standard configuration unless otherwise specified EISA Compliant

SAMPLE CATALOG NUMBER: 2756S - 150H - 120 - GG - RF - WT

Using this catalog number would order 1 model 2756S maxi wall sconce with a 150 watt metal halide ballast wired to 120 volts with frosted acrylic lens and glare guard, painted with white texture polyester powder coat. Lamps by others.

CONSTRUCTION	MOUNTING	OPTICAL	PROTECTION
<p>Materials Support frame: Heavy aluminum plate. Hinge/Lock up: Pressure die cast aluminum. Glare guard / Reflector disk: Aluminum sheet, die formed. Diffusers (side): Thermo-formed acrylic. Bottom lens: Acrylic. Fasteners: Stainless steel.</p> <p>Electrical Components Ballast: HID - Core & coil, -20°F start or CF - Electronic, <10% THD, variable input 120 to 277 volts, 0°F start.</p>	<p>Designed for wall mounting over a 4" octagonal j-box. A heavy gauge mounting plate is attached to the j-box. Unit hooks on to the mounting plate and is secured with two stainless steel set screws. Silicone seal is required across the top of the housing and down each side to exclude moisture in exterior applications.</p>	<p>A glare guard or perforated metal liner provide for glare control. The reflector disk directs stray light downward and can be adjusted in the field to three positions.</p>	<p>The Orchestra maxi wall sconce is listed for use in wet locations to UL and CSA Standards.</p>



Orchestra Circle 2756P Maxi Pendant Mount

INTERIOR

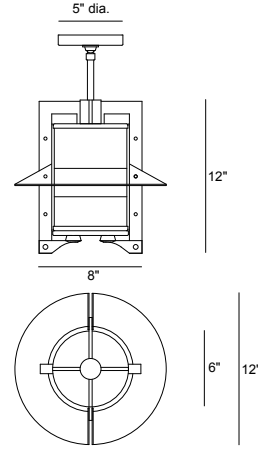
MODEL	LAMP	VOLT	SHIELD	DIFFUSER	BALLAST LOCATION	OPTIONS	COLOUR
2756P	200H metal halide <small>ed-17 medium</small>	120*	GG* glare guard	RF* frost	REM* remote ballast	F fusing	WT white texture
	150H metal halide <small>ed-17 medium</small>	208	PF perforated liner	CL clear	INT integral ballast	P (___) pendant length	BT black texture
	100H metal halide <small>ed-17 medium</small>	240					SM silver metallic
	70H metal halide <small>ed-17 medium</small>	277				C86 ball aligner hanger	AN aluminum natural
	170T compact fluorescent <small>ttt triple</small>	347				WL wet location listing	BZ bronze
	157T compact fluorescent <small>ttt triple</small>						GM gunmetal
	142T compact fluorescent <small>ttt triple</small>						WS white satin
	132T compact fluorescent <small>32w/26w ttt triple or 26w dtt quad</small>						BM black matte
							RAL specify no.

*Standard configuration unless otherwise specified EISA Compliant

SAMPLE CATALOG NUMBER: 2756P - 150H - 120 - GG - RF - REM - WT

Using this catalog number would order 1 model 2756P maxi circle pendant with a 150 watt remote mounted metal halide ballast wired to 120 volts with frosted acrylic lens and glare guard, painted with white texture polyester powder coat. Lamps by others.

CONSTRUCTION	MOUNTING	OPTICAL	PROTECTION
<p>Materials Support Frame: Heavy aluminum plate. Hinge/Lock up: Pressure die cast aluminum. Glare guard / Ceiling canopy / Reflector disk: Aluminum sheet, die formed. Diffusers (side): Thermo-formed acrylic. Bottom lens: Acrylic. Fasteners: Stainless steel.</p> <p>Electrical Components Ballasts: HID - Core & coil, -20°F start or CF - Electronic <10% THD, variable input 120 to 277 volts, 0°F start.</p>	<p>This luminaire is designed to mount to a recessed 4" octagon j-box (by others). Remote mounted ballast assemblies are standard (consult factory for lamp to ballast distance). Optional integral ballast assemblies are offered. For wet locations luminaire must be restrained from wind action. Special hanger or restraint required.</p>	<p>A glare guard or perforated metal liner provide for glare control. The reflector disk directs stray light downward and is adjustable to three positions.</p>	<p>The Orchestra maxi pendant is listed for use in damp locations to UL and CSA Standards. An optional wet location label can be provided.</p>



Orchestra Circle 2757P Mini Pendant Mount

INTERIOR

MODEL	LAMP	VOLT	SHIELD	DIFFUSER	BALLAST LOCATION	OPTIONS	COLOUR
2757P	70H <i>metal halide ed-17 medium</i>	120*	GG* <i>glare guard</i>	RF* <i>frost</i>	REM* <i>remote ballast</i>	F <i>fusing</i>	WT <i>white texture</i>
	50H <i>metal halide ed-17 medium</i>	208	PF <i>perforated liner</i>	CL <i>clear</i>	INT <i>integral ballast</i>	P(____) <i>pendant length</i>	BT <i>black texture</i>
	142T <i>compact fluorescent ed-17 medium</i>	240					SM <i>silver metallic</i>
	132T <i>compact fluorescent ttt triple 32w/26w ttt triple or 26w dtt quad</i>	277				C86 <i>ball aligner hanger</i>	AN <i>aluminum natural</i>
		347					BZ <i>bronze</i>
						WL <i>wet location listing</i>	GM <i>gunmetal</i>
							WS <i>white satin</i>
							BM <i>black matte</i>
							RAL <i>specify no.</i>

*Standard configuration unless otherwise specified

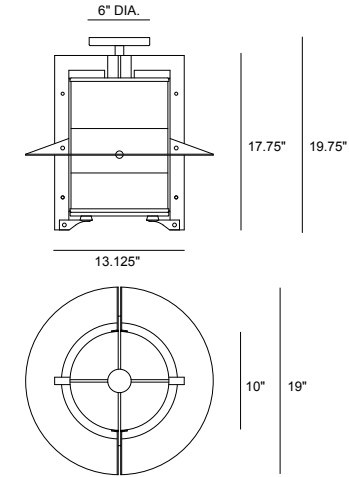
SAMPLE CATALOG NUMBER: 2757P - 70H - 120 - GG - RF - REM - WT

Using this catalog number would order 1 model 2757P mini circle pendant with a 70 watt remote mounted metal halide ballast wired to 120 volts with frosted acrylic lens and glare guard, painted with white texture polyester powder coat. Lamps by others.

CONSTRUCTION	MOUNTING	OPTICAL	PROTECTION
<p>Materials Support Frame: Heavy aluminum plate. Hinge/Lock up: Pressure die cast aluminum. Glare guard / Ceiling canopy / Reflector disk: Aluminum sheet, die formed. Diffusers (side): Thermo-formed acrylic. Bottom lens: Acrylic. Fasteners: Stainless steel.</p> <p>Electrical Components Ballasts: HID - Core & coil, -20°F start or CF - Electronic <10% THD, variable input 120 to 277 volts, 0°F start.</p>	<p>This luminaire is designed to mount to a recessed 4" octagon j-box (by others). Remote mounted ballast assemblies are standard (consult factory for lamp to ballast distance). Optional integral ballast assemblies are offered. For wet locations luminaire must be restrained from wind action. Special hanger or restraint required.</p>	<p>A glare guard or perforated metal liner provide for glare control. The reflector disk is field adjustable to three positions.</p>	<p>The Orchestra mini pendant is listed for use in damp locations to UL and CSA Standards. An optional wet location label can be provided.</p>



Integral ballast option shown



Orchestra Circle 2756 Maxi Ceiling Mount

INTERIOR

MODEL	LAMP	VOLT	SHIELD	DIFFUSER	BALLAST LOCATION	OPTIONS	COLOUR
2756	200H <i>metal halide ed-17 medium</i>	120*	GG* <i>glare guard</i>	RF* <i>frost</i>	REM* <i>remote ballast</i>	F <i>fusing</i>	WT <i>white texture</i>
	150H <i>metal halide ed-17 medium</i>	208	PF <i>perforated liner</i>	CL <i>clear</i>	INT <i>integral ballast</i>	C86 <i>ball aligner hanger</i>	BT <i>black texture</i>
	100H <i>metal halide ed-17 medium</i>	240					SM <i>silver metallic</i>
	70H <i>metal halide ed-17 medium</i>	277				WL <i>wet location listing</i>	AN <i>aluminum natural</i>
	170T <i>compact fluorescent ttt triple</i>	347					BZ <i>bronze</i>
	157T <i>compact fluorescent ttt triple</i>						GM <i>gunmetal</i>
	142T <i>compact fluorescent ttt triple</i>						WS <i>white satin</i>
	132T <i>compact fluorescent ttt triple 32w/26w ttt triple or 26w dtt quad</i>						BM <i>black matte</i>
							RAL <i>specify no.</i>

*Standard configuration unless otherwise specified EISA Compliant

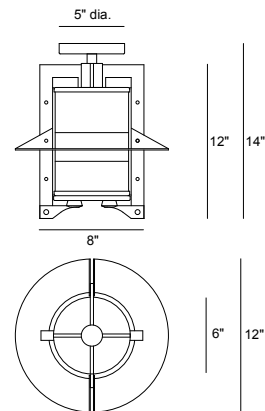
SAMPLE CATALOG NUMBER: 2756 - 150H - 120 - GG - RF - REM - WT

Using this catalog number would order 1 model 2756 maxi circle ceiling mount luminaire with a 150 watt remote mounted metal halide ballast wired to 120 volts with frosted acrylic lens and glare guard, painted with white texture polyester powder coat. Lamps by others.

CONSTRUCTION	MOUNTING	OPTICAL	PROTECTION
<p>Materials Support Frame: Heavy aluminum plate. Hinge/Lock up: Pressure die cast aluminum. Glare guard / Ceiling canopy / Reflector disk: Aluminum sheet, die formed. Diffusers (side): Thermo-formed acrylic. Bottom lens: Acrylic. Fasteners: Stainless steel.</p> <p>Electrical Components Ballasts: HID - Core & coil, -20°F start or CF - Electronic <10% THD, variable input 120 to 277 volts, 0°F start.</p>	<p>This luminaire is designed to mount to a recessed 4" octagon j-box (by others). Remote mounted ballast assemblies are standard (consult factory for lamp to ballast distance). Optional integral ballast assemblies are offered. For wet locations luminaire must be restrained from wind action. Special hanger or restraint required.</p>	<p>A glare guard or perforated metal liner provide for glare control. The reflector disk directs stray light downward and is adjustable to three positions.</p>	<p>The Orchestra ceiling mount is listed for use in damp locations to UL and CSA standards. An optional wet location label can be provided.</p>



Integral ballast option shown



Orchestra Circle 2757 Mini Ceiling Mount

INTERIOR

MODEL	LAMP	VOLT	SHIELD	DIFFUSER	BALLAST LOCATION	OPTIONS	COLOUR
2757	50H <i>metal halide</i> <small>ed-17 medium</small>	120*	GG* <i>glare guard</i>	RF* <i>frost</i>	REM* <i>remote ballast</i>	F <i>fusing</i>	WT <i>white texture</i>
	142T <i>compact fluorescent</i> <small>ttt triple</small>	208	PF <i>perforated liner</i>	CL <i>clear</i>	INT <i>integral ballast</i>	P(____) <i>pendant length</i>	BT <i>black texture</i>
	132T <i>compact fluorescent</i> <small>32w/26w ttt triple or 26w dtt quad</small>	240				WL <i>wet location listing</i>	SM <i>silver metallic</i>
		277					AN <i>aluminum natural</i>
		347					BZ <i>bronze</i>
							GM <i>gunmetal</i>
							WS <i>white satin</i>
							BM <i>black matte</i>
							RAL <i>specify no.</i>

*Standard configuration unless otherwise specified

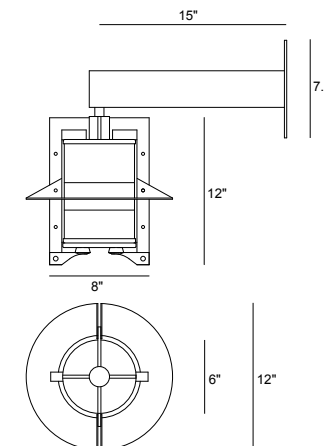
SAMPLE CATALOG NUMBER: 2757 - 70H - 120 - GG - RF - REM - WT

Using this catalog number would order 1 model 2757 mini circle ceiling mount with a 70 watt remote mounted metal halide ballast wired to 120 volts with frosted acrylic lens and glare guard, painted with white texture polyester powder coat. Lamps by others.

CONSTRUCTION	MOUNTING	OPTICAL	PROTECTION
<p>Materials Support Frame: Heavy aluminum plate. Hinge/Lock up: Pressure die cast aluminum. Glare guard / Ceiling canopy / Reflector disk: Aluminum sheet, die formed. Diffusers (side): Thermo-formed acrylic. Bottom lens: Acrylic. Fasteners: Stainless steel.</p> <p>Electrical Components Ballasts: HID - Core & coil, -20°F start or CF - Electronic <10% THD, variable input 120 to 277 volts, 0°F start.</p>	<p>This luminaire is designed to mount to a recessed 4" octagon j-box (by others). Remote mounted ballast assemblies are standard (consult factory for lamp to ballast distance). Optional integral ballast assemblies are offered. For wet locations luminaire must be restrained from wind action. Special hanger or restraint required.</p>	<p>A glare guard or perforated metal liner provide for glare control. The reflector disk is field adjustable to three positions.</p>	<p>The Orchestra mini ceiling mount is listed for use in damp locations to UL and CSA standards. An optional wet location label can be provided.</p>



Integral ballast option shown



Orchestra Circle 2757W Mini Wall Arm Mount

INTERIOR

MODEL	LAMP	VOLT	SHIELD	DIFFUSER	BALLAST LOCATION	OPTIONS	COLOUR
2757W	70H <i>metal halide</i> <small>ed-17 medium</small>	120*	GG* <i>glare guard</i>	RF* <i>frost</i>	REM* <i>remote ballast</i> ¹	F <i>fusing</i>	WT <i>white texture</i>
	50H <i>metal halide</i> <small>ed-17 medium</small>	208	PF <i>perforated liner</i>	CL <i>clear</i>	INT <i>integral ballast</i> ²	WL <i>wet location listing</i>	BT <i>black texture</i>
	142T <i>compact fluorescent</i> <small>ttt triple</small>	240					SM <i>silver metallic</i>
	132T <i>compact fluorescent</i> <small>32w/26w ttt triple or 26w dtt quad</small>	277					AN <i>aluminum natural</i>
		347					BZ <i>bronze</i>
							GM <i>gunmetal</i>
							WS <i>white satin</i>
							BM <i>black matte</i>
							RAL <i>specify no.</i>

*Standard configuration unless otherwise specified

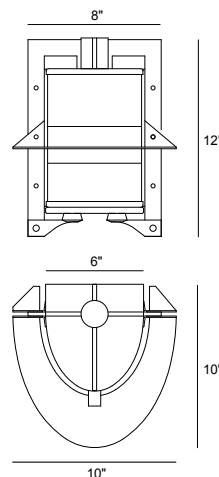
¹ HID units only

² HID units supplied with integral ballast canopy, CF units supplied with ballast mounted in arm standard.

SAMPLE CATALOG NUMBER: 2757W - 70H - 120 - GG - RF - REM - WT

Using this catalog number would order 1 model 2757W mini circle wall arm mount luminaire with a 70 watt remote mounted metal halide ballast wired to 120 volts with frosted acrylic lens and glare guard, painted with white texture polyester powder coat. Lamps by others.

CONSTRUCTION	MOUNTING	OPTICAL	PROTECTION
<p>Materials Support Frame: Aluminum plate. Arm assembly: Rectangular extruded aluminum. Hinge/Lock up: Pressure die cast aluminum. Glare guard / Wall canopy / Reflector disk: Aluminum. Diffusers (side): Thermo-formed acrylic. Bottom lens: Acrylic. Fasteners: Stainless steel.</p> <p>Electrical Components Ballasts: HID - Core & coil, -20°F start or CF - Electronic <10% THD, 0°F start, variable input 120 to 277 volts.</p>	<p>Luminaire is designed for mounting over a recessed 4" octagon j-box (by others). Holes (4) are provided in wall plate to attach to the wall outside of the j-box. Adequate backing is required inside the wall to support these fixtures. Arm assembly is shipped separately from the head for field attachment. Remote mounted ballast assemblies are standard (consult factory for lamp to ballast distance). An optional integral ballast design is available which adds to the canopy depth on the mounting surface.</p>	<p>A glare guard or perforated metal liner provide for glare control. The reflector disk is field adjustable to three positions.</p>	<p>The Orchestra mini wall mount is listed for use in damp locations to UL and CSA Standards. An optional wet location label can be provided.</p>



Orchestra Circle 2757S Mini Wall Sconce

INTERIOR

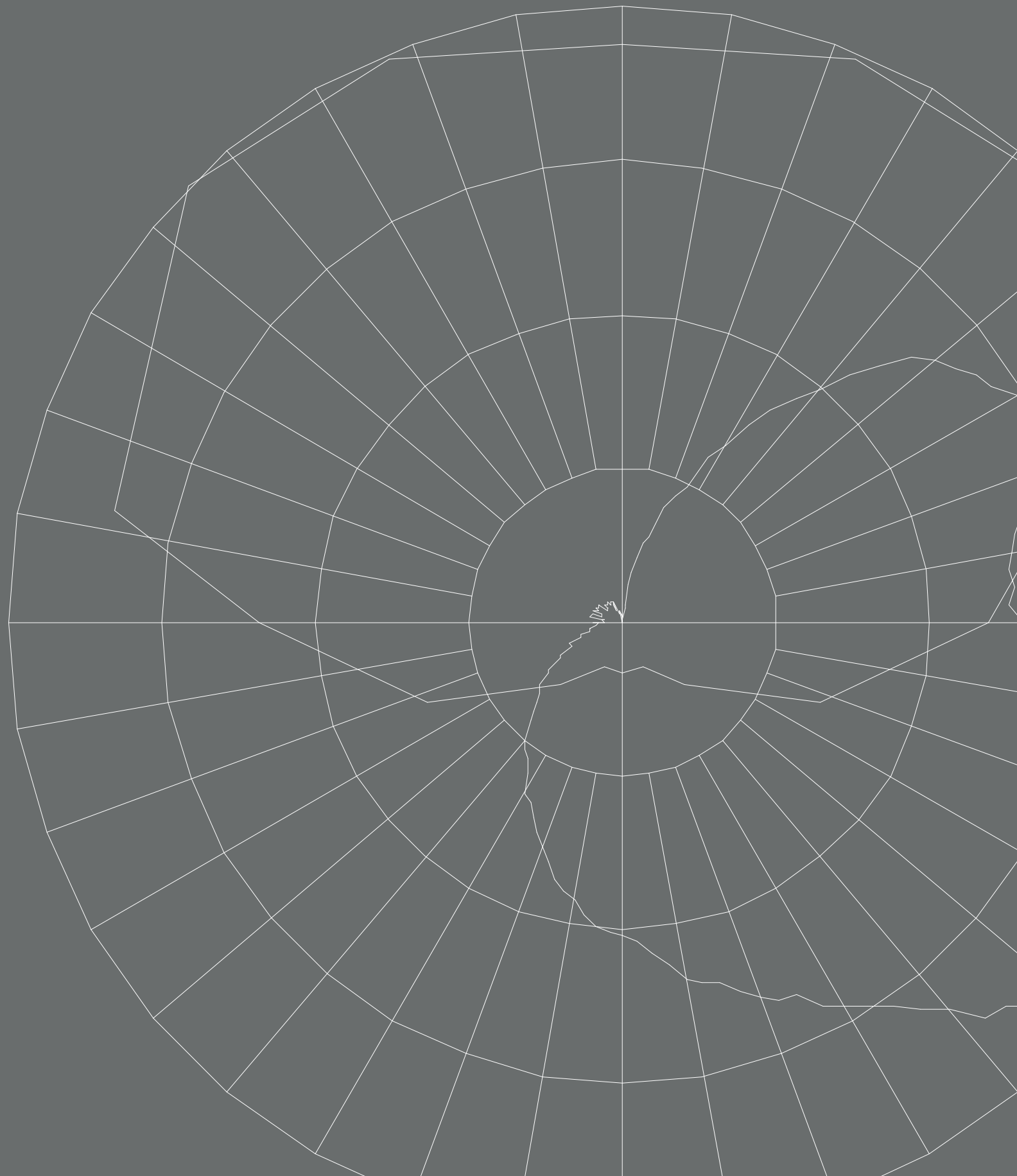
MODEL	LAMP	VOLT	SHIELD	DIFFUSER	OPTIONS	COLOUR
2757S	50H <i>metal halide</i>	120*	GG* <i>glare guard</i>	RF* <i>frost</i>	F <i>fusing</i>	WT <i>white texture</i>
	142T <i>ed-17 medium compact fluorescent</i>	208	PF <i>perforated liner</i>	CL <i>clear</i>	WL <i>wet location listing</i>	BT <i>black texture</i>
	132T <i>ttt triple compact fluorescent</i>	240				SM <i>silver metallic</i>
		277				AN <i>aluminum natural</i>
		347				BZ <i>bronze</i>
						GM <i>gunmetal</i>
						WS <i>white satin</i>
						BM <i>black matte</i>
						RAL <i>specify no.</i>

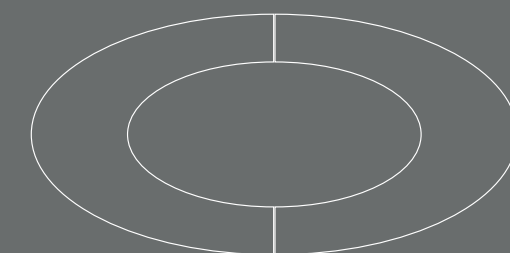
*Standard configuration unless otherwise specified

SAMPLE CATALOG NUMBER: 2757S - 50H - 120 - GG - RF - WT

Using this catalog number would order 1 model 2757S mini wall sconce with a 50 watt metal halide ballast wired to 120 volts with frosted acrylic lens and glare guard, painted with white texture polyester powder coat. Lamps by others.

CONSTRUCTION	MOUNTING	OPTICAL	PROTECTION
<p>Materials Support frame: Heavy aluminum plate. Hinge/Lock up: Pressure die cast aluminum. Glare guard / Housing assembly / Reflector disk: Aluminum sheet, die formed. Diffusers (side): Thermo-formed acrylic. Bottom lens: Acrylic. Fasteners: Stainless steel. Mounting plate: Galvanized steel.</p> <p>Electrical Components Ballast: HID - Core & coil, -20°F start or CF - Electronic, <10% THD, variable input 120 to 277 volts, 0°F start.</p>	<p>Designed for wall mounting over a recessed 4" octagonal j-box. A heavy gauge mounting plate is attached to the j-box. Unit hooks on to the mounting plate and is secured with two stainless steel set screws. Silicone seal is required across the top of the housing and down each side to exclude moisture in exterior applications.</p>	<p>A glare guard or perforated metal liner provide for glare control. The reflector disk is field adjustable to three positions.</p>	<p>The Orchestra mini wall sconce is listed for use in damp locations to UL and CSA Standards. An optional wet location label can be provided.</p>





ORCHESTRA ELLIPSE



ORCHESTRA ELLIPSE

REBELLE
ARCHITECTURAL
LIGHTING

CHERRY HILL MALL CHERRY HILL, NJ
MAXI STREETSCAPE ELLIPTICAL POST TOP2810T

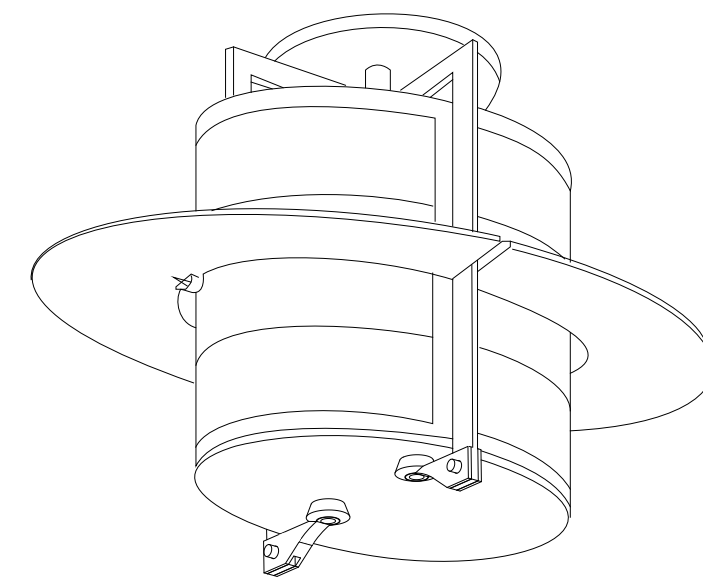
Photo: Paul Loftland/Architect360°



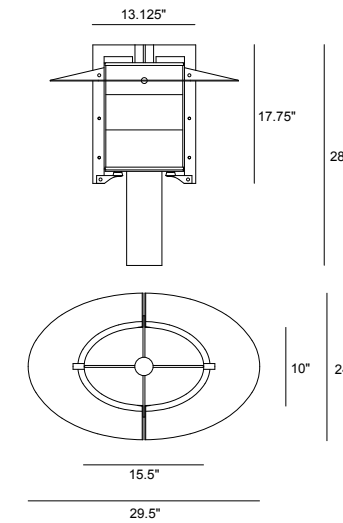
REBELLE
ARCHITECTURAL
LIGHTING

- MAXI SINGLE ELLIPTICAL POST ARM **2810A** 1
- MINI ELLIPTICAL POST TOP **2809T** 2
- MAXI ELLIPTICAL PENDANT MOUNT **2810P** 3
- MINI ELLIPTICAL LANDSCAPE BOLLARD **2809B** 4

ORCHESTRA ELLIPSE 2809B LANDSCAPE BOLLARD

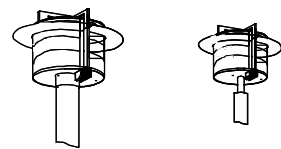


FAMILY
ORCHESTRA ELLIPSE



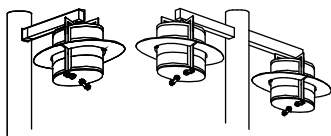
ORCHESTRA ELLIPSE

EXTERIOR



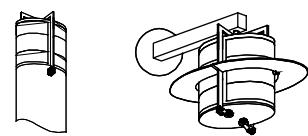
2810T 2809T
Maxi Mini

Post



2810A 2810A2
Maxi Maxi

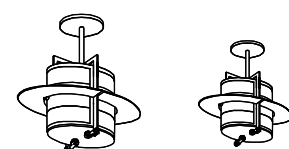
Post Arm



2809B 2810W
Mini Maxi

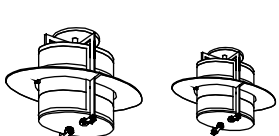
Bollard Wall Arm

INTERIOR



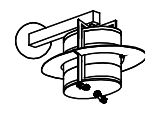
2810P 2809P
Maxi Mini

Pendant



2810 2809
Maxi Mini

Ceiling



2809W
Mini

Wall Arm

Orchestra Ellipse 2810T Maxi Streetscape Post Top

EXTERIOR

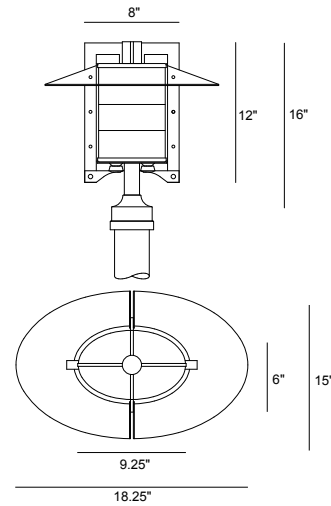
MODEL	LAMP	VOLT	SHIELD	DIFFUSER	REFRACTOR	OPTIONS	COLOUR
2810T	150H <i>metal halide ed-17 medium</i>	120*	GG* <i>glare guard</i>	RF* <i>frost</i>	T5* <i>type V refractor</i>	F <i>fusing</i>	WT <i>white texture</i>
	100H <i>metal halide ed-17 medium</i>	208	PF <i>perforated liner</i>	CL <i>clear</i>	T3 <i>type III refractor</i>		BT <i>black texture</i>
	70H <i>metal halide ed-17 medium</i>	240					SM <i>silver metallic</i>
		277					AN <i>aluminum natural</i>
		347					BZ <i>bronze</i>
							GM <i>gunmetal</i>
							WS <i>white satin</i>
							BM <i>black matte</i>
							RAL <i>specify no.</i>

*Standard configuration unless otherwise specified EISA Compliant

SAMPLE CATALOG NUMBER: 2810T - 150H - 120 - GG - RF - T5 - WT

Using this catalog number would order 1 model 2810T post top luminaire with a 150 watt metal halide ballast wired to 120 volts with frosted acrylic lens and a glare guard, supplied with a type V refractor and painted with white texture polyester powder coat. Poles are supplied separately. Lamps by others.

CONSTRUCTION	MOUNTING	OPTICAL	PROTECTION
<p>Materials Support frame: Heavy aluminum plate. Hinge/Lock up: Pressure die cast aluminum. Reflector disks / Reflector / Glare guard / Lampholder cover: Aluminum sheet, die formed. Diffusers (side): Thermo-formed acrylic. Pole fitter: 4.5" OD x 12" long, aluminum. Bottom plate: Aluminum. Glass refractor: Borosilicate cast glass.</p> <p>Electrical Components Ballast: HID - Core & coil, -20°F start.</p>	<p>Unit is designed to fit a 4" OD, 1/8" wall pole with an ID of 3.75" minimum. Three 1/4 - 20 stainless steel set screws lock the head to the pole.</p>	<p>Unit is fitted with a Type V glass refractor that directs light downward. An optional Type III refractor provides an asymmetric lighting distribution to direct more light on to the street side. A glare guard or perforated metal liner provide for glare control. While an elliptical reflector disk directs stray light downward.</p>	<p>The Orchestra maxi post top is listed for use in wet locations to UL and CSA Standards. Windloading EPA = 1.48 Sq. Ft.</p>



Orchestra Ellipse 2809T Mini Landscape Post Top EXTERIOR

MODEL	LAMP	VOLT	SHIELD	DIFFUSER	OPTIONS	COLOUR
2809T	50H <i>metal halide¹</i> <small>ed-17 medium</small>	120*	GG* <i>glare guard</i>	RF* <i>frost</i>	F <i>fusing</i>	WT <i>white texture</i>
	142T <i>compact fluorescent</i> <small>ttt triple</small>	208	PF <i>perforated liner</i>	CL <i>clear</i>		BT <i>black texture</i>
	132T <i>compact fluorescent</i> <small>32w/26w ttt triple or 26w dtl quad</small>	240				SM <i>silver metallic</i>
		277				AN <i>aluminum natural</i>
		347				BZ <i>bronze</i>
						GM <i>gunmetal</i>
						WS <i>white satin</i>
						BM <i>black matte</i>
						RAL <i>specify no.</i>

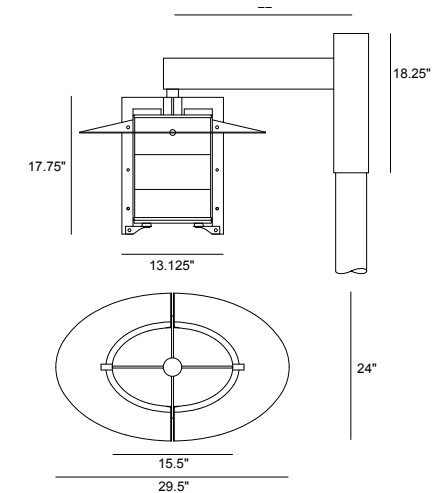
*Standard configuration unless otherwise specified

¹Only available in 120V or 277V

SAMPLE CATALOG NUMBER: 2809T - 50H - 120 - GG - RF - WT

Using this catalog number would order 1 model 2809T mini post top luminaire with a 50 watt metal halide ballast wired to 120 volts with frosted acrylic lens and a glare guard, painted with white texture polyester powder coat. Poles are supplied separately. Lamps by others.

CONSTRUCTION	MOUNTING	OPTICAL	PROTECTION
<p>Materials Support frame: Heavy aluminum plate. Hinge/Lock up: Pressure die cast aluminum. Reflector disks / Reflector / Glare guard / Lampholder cover: Aluminum sheet, die formed. Diffusers (side): Thermo-formed acrylic. Pole fitter: Pressure die cast aluminum. Tenon member: Aluminum conduit. Bottom plate: Aluminum. Fasteners: Stainless steel.</p> <p>Electrical Components Ballast: HID - 120 or 277V only, core & coil, -10°F start. CF - Electronic, 0°F start.</p>	<p>Unit is designed to fit a 3" OD pole (1/8" wall thickness or less). Luminaire head is attached with three stainless steel set screws. Ballast bracket has 7/8" diameter hole to terminate flexible conduit supply and a ground screw assembly. Pole supplied separately.</p>	<p>A glare guard or perforated metal liner provide for glare control. While the reflector disk directs stray light downward in the top position but can be field adjusted to top, middle or bottom positions, depending on the effect desired.</p>	<p>The Orchestra mini post top is listed for use in wet locations to UL and CSA Standards. Windloading EPA = 0.64 Sq. Ft.</p>



Orchestra Ellipse 2810A Maxi Single Streetscape Post Arm EXTERIOR

MODEL	LAMP	VOLT	SHIELD	DIFFUSER	OPTIONS	COLOUR
2810A	200H [Ⓔ] <i>metal halide</i> <small>ed-17 medium</small>	120*	GG* <i>glare guard</i>	RF* <i>frost</i>	F <i>fusing</i>	WT <i>white texture</i>
	150H <i>metal halide</i> <small>ed-17 medium</small>	208	PF <i>perforated liner</i>	CL <i>clear</i>		BT <i>black texture</i>
	100H <i>metal halide</i> <small>ed-17 medium</small>	240				SM <i>silver metallic</i>
	70H <i>metal halide</i> <small>ed-17 medium</small>	277				AN <i>aluminum natural</i>
		347				BZ <i>bronze</i>
						GM <i>gunmetal</i>
						WS <i>white satin</i>
						BM <i>black matte</i>
						RAL <i>specify no.</i>

*Standard configuration unless otherwise specified [Ⓔ]EISA Compliant

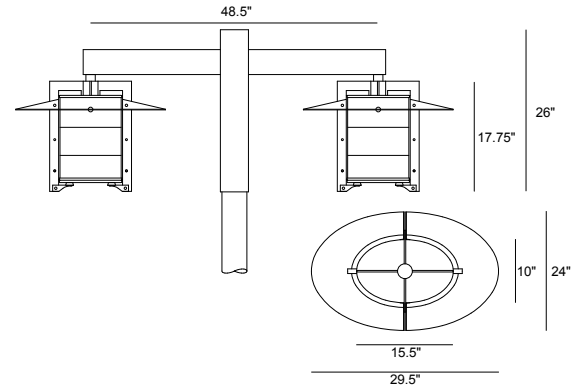
SAMPLE CATALOG NUMBER: 2810A - 150H - 120 - GG - RF - WT

Using this catalog number would order 1 model 2810A single post arm luminaire with a 150 watt metal halide ballast wired to 120 volts with frosted acrylic lens and a glare guard, painted with white texture polyester powder coat. Poles are supplied separately. Lamps by others.

CONSTRUCTION	MOUNTING	OPTICAL	PROTECTION
<p>Materials Support frame: Heavy aluminum plate. Hinge/Lock up: Pressure die cast aluminum. Mounting arm bracket: Extruded aluminum. Reflector disks / Glare guard / Lampholder cover: Aluminum sheet, die formed. Diffusers (side): Thermo-formed acrylic. Bottom lens: Acrylic.</p> <p>Electrical Components Ballast: HID - Core & coil, -20°F start.</p>	<p>Luminaire is designed to slip fit a 4" OD pole top OD tenon (4" long). Three 1/4 - 20 stainless steel set screws lock ballast compartment to pole or tenon.</p>	<p>Luminaire has a choice of lens, diffuser and lamp shield configurations. The standard configuration is a frosted side and bottom lens in combination with the solid internal glare band. The alternate optical configuration uses the perforated metal internal liner along with clear lens and diffusers. It is possible to use the solid glare band with clear lens and diffusers and the frost lens and diffusers with the perforated metal liner. The reflector disk is adjustable to three separate positions to disperse the light vertically.</p>	<p>The Orchestra elliptical post arm luminaire is listed for use in wet locations to UL and CSA Standards. Windloading EPA = 1.99 sq ft</p>



Single arm shown



Orchestra Ellipse 2810A2 Maxi Twin Streetscape Post Arm EXTERIOR

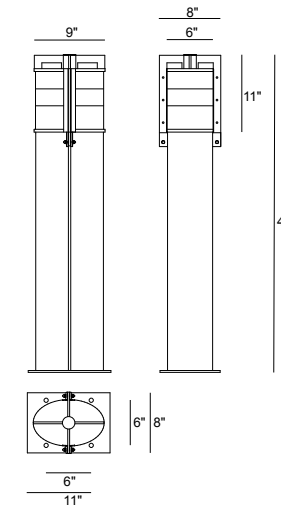
MODEL	LAMP	VOLT	SHIELD	DIFFUSER	OPTIONS	COLOUR
2810A2	200H [ⓔ] <i>metal halide ed-17 medium</i>	120*	GG* <i>glare guard</i>	RF* <i>frost</i>	F <i>fusing</i>	WT <i>white texture</i>
	150H <i>metal halide ed-17 medium</i>	208	PF <i>perforated liner</i>	CL <i>clear</i>		BT <i>black texture</i>
	100H <i>metal halide ed-17 medium</i>	240				SM <i>silver metallic</i>
	70H <i>metal halide ed-17 medium</i>	277				AN <i>aluminum natural</i>
		347				BZ <i>bronze</i>
						GM <i>gunmetal</i>
						WS <i>white satin</i>
						BM <i>black matte</i>
						RAL <i>specify no.</i>

*Standard configuration unless otherwise specified [ⓔ] EISA Compliant

SAMPLE CATALOG NUMBER: 2810A2 - 150H - 120 - GG - RF - WT

Using this catalog number would order 1 model 2810A2 twin post arm luminaire with two 150 watt metal halide ballasts wired to 120 volts with frosted acrylic lens and a glare guard, painted with white texture polyester powder coat. Poles are supplied separately. Lamps by others.

CONSTRUCTION	MOUNTING	OPTICAL	PROTECTION
<p>Materials Support frame: Heavy aluminum plate. Hinge/Lock up: Pressure die cast aluminum. Mounting arm bracket: Extruded aluminum. Reflector disks / Glare guard / Lampholder cover: Aluminum sheet, die formed. Diffusers (side): Thermo-formed acrylic. Bottom lens: Acrylic.</p> <p>Electrical Components Ballast: HID - Core & coil, -20°F start.</p>	<p>Luminaire is designed to slip fit a 4" OD pole top OD tenon (4" long). Three 1/4 - 20 stainless steel set screws lock ballast compartment to pole or tenon.</p>	<p>Luminaire has a choice of lens, diffuser and lamp shield configurations. The standard configuration is a frosted side and bottom lens in combination with the solid internal glare band. The alternate optical configuration uses the perforated metal internal liner along with clear lens and diffusers. It is possible to use the solid glare band with clear lens and diffusers and the frost lens and diffusers with the perforated metal liner. The reflector disk is adjustable to three separate positions to disperse the light vertically.</p>	<p>The Orchestra maxi twin post arm is listed for use in wet locations to UL and CSA Standards. Windloading EPA = 3.98 sq ft</p>



Orchestra Ellipse 2809B Mini Landscape Bollard EXTERIOR

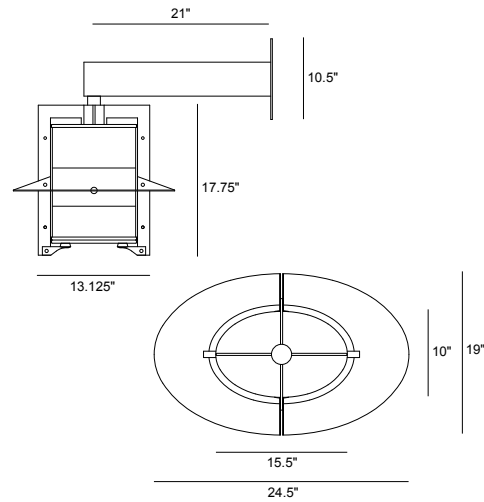
MODEL	LAMP	VOLT	SHIELD	DIFFUSER	OPTIONS	COLOUR
2809B	70H <i>metal halide ed-17 medium</i>	120*	GG* <i>glare guard</i>	RF* <i>frost</i>	F <i>fusing</i>	WT <i>white texture</i>
	50H <i>metal halide ed-17 medium</i>	208	PF <i>perforated liner</i>	CL <i>clear</i>	RD <i>reflector disk</i>	BT <i>black texture</i>
	142T <i>compact fluorescent ttt triple</i>	240			BCS <i>base cover - square</i>	SM <i>silver metallic</i>
	132T <i>compact fluorescent 32w/26w ttt triple</i>	277				AN <i>aluminum natural</i>
		347				BZ <i>bronze</i>
						GM <i>gunmetal</i>
						WS <i>white satin</i>
						BM <i>black matte</i>
						RAL <i>specify no.</i>

*Standard configuration unless otherwise specified

SAMPLE CATALOG NUMBER: 2809B - 70H - 120 - GG - RF - WT

Using this catalog number would order 1 model 2809B mini elliptical landscape bollard with a 70 watt metal halide ballast wired to 120 volts with frosted polycarbonate lens and a glare guard, painted with white texture polyester powder coat. Lamps by others.

CONSTRUCTION	MOUNTING	OPTICAL	PROTECTION
<p>Materials Frame support: Aluminum plate. Bollard shaft: Cast aluminum. Base plate: 0.500" aluminum plate welded to shaft. Diffusers (side): Thermo-formed polycarbonate. Internal reflector / Glare guard / Lampholder cover: Aluminum sheet, die formed. Fasteners: Stainless steel. Anchor bolts: Hot dipped, galvanized nuts, bolts and washers.</p> <p>Electrical components Ballast: HID - Core & coil, -20°F start. CF - Electronic, <10% THD, variable input 120 to 277 volts, 0°F start.</p>	<p>Luminaire is designed to attach to a poured concrete foundation using anchor bolts, template and hardware provided. Design of concrete base is by others. A square base cover is provided as an optional extra.</p>	<p>The standard optical configuration is the glare guard shield in combination with the light frost diffuser. The alternate configuration is the clear diffuser with the perforated metal shield. The reflector disks are made as an optional extra on the bollard since the disk would be prone to vandalism on a bollard in a public space. If reflector disks are selected, they are three position adjustable.</p>	<p>The Orchestra mini elliptical bollard is listed for use in wet locations to UL and CSA Standards.</p>



Orchestra Ellipse 2810W Maxi Wall Arm Mount

EXTERIOR

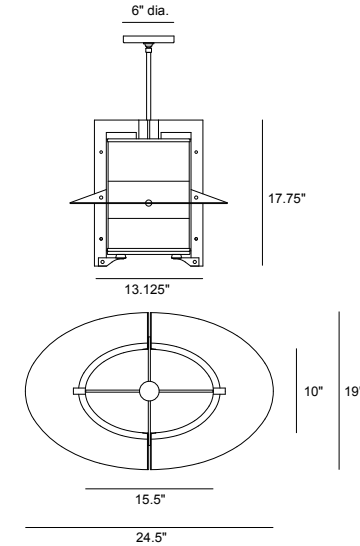
MODEL	LAMP	VOLT	SHIELD	DIFFUSER	OPTIONS	BALLAST LOCATION	COLOUR
2810W	200H metal halide <small>ed-17 medium</small>	120*	GG* glare guard	RF* frost	F fusing	REM* remote ballast ¹	WT white texture
	150H metal halide <small>ed-17 medium</small>	208	PF perforated liner	CL clear		INT integral ballast ²	BT black texture
	100H metal halide <small>ed-17 medium</small>	240					SM silver metallic
	70H metal halide <small>ed-17 medium</small>	277					AN aluminum natural
	170T compact fluorescent <small>ttt triple</small>	347					BZ bronze
	157T compact fluorescent <small>ttt triple</small>						GM gunmetal
	142T compact fluorescent <small>ttt triple</small>						WS white satin
	132T compact fluorescent <small>32w/26w ttt triple or 26w dtt quad</small>						BM black matte
							RAL specify no.

*Standard configuration unless otherwise specified EISA Compliant ¹HID units only
²HID units supplied with integral ballast canopy, CF units supplied with ballast mounted in arm standard.

SAMPLE CATALOG NUMBER: 2810W - 150H - 120 - GG - RF - REM - WT

Using this catalog number would order 1 model 2810W maxi ellipse wall arm mount luminaire with a 150 watt remote mounted metal halide ballast wired to 120 volts with frosted acrylic lens and glare guard, painted with white texture polyester powder coat. Lamps by others.

CONSTRUCTION	MOUNTING	OPTICAL	PROTECTION
<p>Materials Support Frame: Heavy aluminum plate. Arm assembly: Rectangular extruded aluminum. Hinge/Lock up: Pressure die cast aluminum. Glare guard / Wall canopy / Reflector disk: Aluminum sheet, die formed. Diffusers (side): Thermo-formed acrylic. Bottom lens: Acrylic. Fasteners: Stainless steel.</p> <p>Electrical Components Ballasts: HID - Core & coil, -20°F start or CF - Electronic <10% THD, 0°F start, variable input 120 to 277 volts.</p>	<p>Luminaire is designed for mounting over a recessed 4" octagon j-box (by others). Holes (4) are provided in wall plate to attach to the wall outside of the j-box. Adequate backing is required inside the wall to support these fixtures. Arm assembly is shipped separately from the head for field attachment. Remote mounted ballast assemblies are standard (consult factory for lamp to ballast distance). An optional integral ballast design is available which adds to the canopy depth on the mounting surface.</p>	<p>A glare guard or perforated metal liner provide for glare control. The reflector disk directs stray light downward and is field adjustable to three positions.</p>	<p>The Orchestra Ellipse maxi wall mount is listed for use in wet locations to UL and CSA Standards.</p>



Orchestra Ellipse 2810P Maxi Pendant Mount

INTERIOR

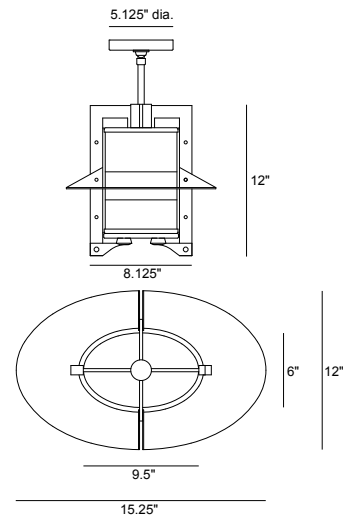
MODEL	LAMP	VOLT	SHIELD	DIFFUSER	OPTIONS	BALLAST LOCATION	COLOUR
2810P	200H metal halide <small>ed-17 medium</small>	120*	GG* glare guard	RF* frost	F fusing	REM* remote ballast	WT white texture
	150H metal halide <small>ed-17 medium</small>	208	PF perforated liner	CL clear	P(____) pendant length	INT integral ballast	BT black texture
	100H metal halide <small>ed-17 medium</small>	240					SM silver metallic
	70H metal halide <small>ed-17 medium</small>	277			C86 ball aligner hanger		AN aluminum natural
	170T compact fluorescent <small>ttt triple</small>	347			WL wet location listing		BZ bronze
	157T compact fluorescent <small>ttt triple</small>						GM gunmetal
	142T compact fluorescent <small>ttt triple</small>						WS white satin
	132T compact fluorescent <small>32w/26w ttt triple or 26w dtt quad</small>						BM black matte
							RAL specify no.

*Standard configuration unless otherwise specified EISA Compliant

SAMPLE CATALOG NUMBER: 2810P - 150H - 120 - GG - RF - REM - WT

Using this catalog number would order 1 model 2810P maxi elliptical pendant with a 150 watt remote mounted metal halide ballast wired to 120 volts with frosted acrylic lens and glare guard, painted with white texture polyester powder coat. Lamps by others.

CONSTRUCTION	MOUNTING	OPTICAL	PROTECTION
<p>Materials Support Frame: Heavy aluminum plate. Hinge/Lock up: Pressure die cast aluminum. Glare guard / Ceiling canopy / Reflector disk: Aluminum sheet, die formed. Diffusers (side): Thermo-formed acrylic. Bottom lens: Acrylic. Fasteners: Stainless steel.</p> <p>Electrical Components Ballasts: HID - Core & coil, -20°F start or CF - Electronic <10% THD, variable input 120 to 277 volts, 0°F start.</p>	<p>This luminaire is designed to mount to a recessed 4" octagon j-box (by others). Remote mounted ballast assemblies are standard (consult factory for lamp to ballast distance). Optional integral ballast assemblies are offered. For wet locations luminaire must be restrained from wind action. Special hanger or restraint required.</p>	<p>A glare guard or perforated metal liner provide for glare control. The reflector disk directs stray light downward and is adjustable to three positions.</p>	<p>The Orchestra ellipse pendant is listed for use in damp locations to UL and CSA standards. An optional wet location label can be provided.</p>



Orchestra Ellipse 2809P Mini Pendant Mount

INTERIOR

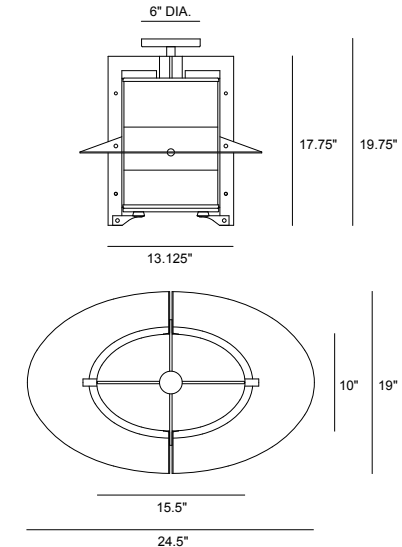
MODEL	LAMP	VOLT	SHIELD	DIFFUSER	OPTIONS	BALLAST LOCATION	COLOUR
2809P	70H <i>metal halide</i> <small>ed-17 medium</small>	120*	GG* <i>glare guard</i>	RF* <i>frost</i>	F <i>fusing</i>	REM* <i>remote ballast</i>	WT <i>white texture</i>
	50H <i>metal halide</i> <small>ed-17 medium</small>	208	PF <i>perforated liner</i>	CL <i>clear</i>	P(____) <i>pendant length</i>	INT <i>integral ballast</i>	BT <i>black texture</i>
	142T <i>compact fluorescent</i> <small>ttt triple</small>	240					SM <i>silver metallic</i>
	132T <i>compact fluorescent</i> <small>32w/26w ttt triple or 26w dtt quad</small>	277			C86 <i>ball aligner hanger</i>		AN <i>aluminum natural</i>
		347			WL <i>wet location listing</i>		BZ <i>bronze</i>
							GM <i>gunmetal</i>
							WS <i>white satin</i>
							BM <i>black matte</i>
							RAL <i>specify no.</i>

*Standard configuration unless otherwise specified

SAMPLE CATALOG NUMBER: 2809P - 70H - 120 - GG - RF - REM - WT

Using this catalog number would order 1 model 2809P mini elliptical pendant with a 70 watt remote mounted metal halide ballast wired to 120 volts with frosted acrylic lens and glare guard, painted with white texture polyester powder coat. Lamps by others.

CONSTRUCTION	MOUNTING	OPTICAL	PROTECTION
<p>Materials Support Frame: Heavy aluminum plate. Hinge/Lock up: Pressure die cast aluminum. Glare guard / Ceiling canopy / Reflector disk: Aluminum sheet, die formed. Diffusers (side): Thermo-formed acrylic. Bottom lens: Acrylic. Fasteners: Stainless steel.</p> <p>Electrical Components Ballasts: HID - Core & coil, -20°F start or CF - Electronic <10% THD, variable input 120 to 277 volts, 0°F start.</p>	<p>This luminaire is designed to mount to a recessed 4" octagon j-box (by others). Remote mounted ballast assemblies are standard (consult factory for lamp to ballast distance). Optional integral ballast assemblies are offered. For wet locations luminaire must be restrained from wind action. Special hanger or restraint required.</p>	<p>A glare guard or perforated metal liner provide for glare control. The reflector disk directs stray light downward and is adjustable to three positions.</p>	<p>The Orchestra mini elliptical pendant is listed for use in damp locations to UL and CSA standards. An optional wet location label can be provided.</p>



Orchestra Ellipse 2810 Maxi Ceiling Mount

INTERIOR

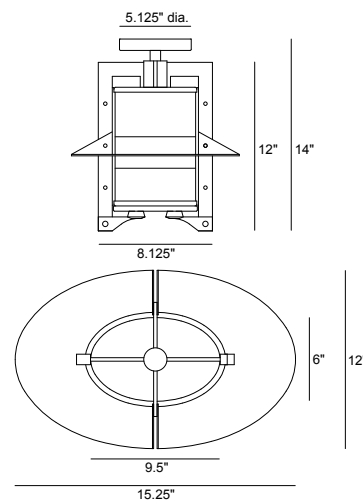
MODEL	LAMP	VOLT	SHIELD	DIFFUSER	OPTIONS	BALLAST LOCATION	COLOUR
2810	200H <i>metal halide</i> <small>ed-17 medium</small>	120*	GG* <i>glare guard</i>	RF* <i>frost</i>	F <i>fusing</i>	REM* <i>remote ballast</i>	WT <i>white texture</i>
	150H <i>metal halide</i> <small>ed-17 medium</small>	208	PF <i>perforated liner</i>	CL <i>clear</i>	C86 <i>ball aligner hanger</i>	INT <i>integral ballast</i>	BT <i>black texture</i>
	100H <i>metal halide</i> <small>ed-17 medium</small>	240					SM <i>silver metallic</i>
	70H <i>metal halide</i> <small>ed-17 medium</small>	277			WL <i>wet location listing</i>		AN <i>aluminum natural</i>
	170T <i>compact fluorescent</i> <small>ttt triple</small>	347					BZ <i>bronze</i>
	157T <i>compact fluorescent</i> <small>ttt triple</small>						GM <i>gunmetal</i>
	142T <i>compact fluorescent</i> <small>ttt triple</small>						WS <i>white satin</i>
	132T <i>compact fluorescent</i> <small>32w/26w ttt triple or 26w dtt quad</small>						BM <i>black matte</i>
							RAL <i>specify no.</i>

*Standard configuration unless otherwise specified EISA Compliant

SAMPLE CATALOG NUMBER: 2810 - 150H - 120 - GG - RF - REM - WT

Using this catalog number would order 1 model 2810 maxi elliptical ceiling mount luminaire with a 150 watt remote mounted metal halide ballast wired to 120 volts with frosted acrylic lens and glare guard, painted with white texture polyester powder coat. Lamps by others.

CONSTRUCTION	MOUNTING	OPTICAL	PROTECTION
<p>Materials Support Frame: Heavy aluminum plate. Hinge/Lock up: Pressure die cast aluminum. Glare guard / Ceiling canopy / Reflector disk: Aluminum sheet, die formed. Diffusers (side): Thermo-formed acrylic. Bottom lens: Acrylic. Fasteners: Stainless steel.</p> <p>Electrical Components Ballasts: HID - Core & coil, -20°F start or CF - Electronic <10% THD, variable input 120 to 277 volts, 0°F start.</p>	<p>This luminaire is designed to mount to a recessed 4" octagon j-box (by others). Remote mounted ballast assemblies are standard (consult factory for lamp to ballast distance). Optional integral ballast assemblies are offered. For wet locations luminaire must be restrained from wind action. Special hanger or restraint required.</p>	<p>A glare guard or perforated metal liner provide for glare control. The reflector disk directs stray light downward and is adjustable to three positions.</p>	<p>The Orchestra elliptical ceiling mount is listed for use in damp locations to UL and CSA standards. An optional wet location label can be provided.</p>



Orchestra Ellipse 2809 Mini Ceiling Mount

INTERIOR

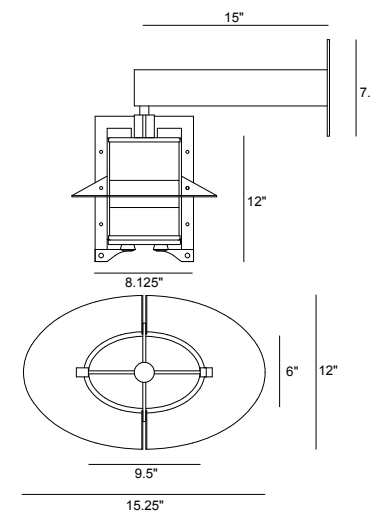
MODEL	LAMP	VOLT	SHIELD	DIFFUSER	OPTIONS	BALLAST LOCATION	COLOUR
2809	50H <i>metal halide ed-17 medium</i>	120*	GG* <i>glare guard</i>	RF* <i>frost</i>	F <i>fusing</i>	REM* <i>remote ballast</i>	WT <i>white texture</i>
	142T <i>compact fluorescent ttt triple</i>	208	PF <i>perforated liner</i>	CL <i>clear</i>	C86 <i>ball aligner hanger</i>	INT <i>integral ballast</i>	BT <i>black texture</i>
	132T <i>compact fluorescent 32w/26w ttt triple or 26w dtt quad</i>	240			WL <i>wet location listing</i>		SM <i>silver metallic</i>
		277					AN <i>aluminum natural</i>
		347					BZ <i>bronze</i>
							GM <i>gunmetal</i>
							WS <i>white satin</i>
							BM <i>black matte</i>
							RAL <i>specify no.</i>

*Standard configuration unless otherwise specified

SAMPLE CATALOG NUMBER: 2809 - 70H - 120 - GG - RF - REM - WT

Using this catalog number would order 1 model 2809 mini elliptical ceiling mount with a 70 watt remote mounted metal halide ballast wired to 120 volts with frosted acrylic lens and glare guard, painted with white texture polyester powder coat. Lamps by others.

CONSTRUCTION	MOUNTING	OPTICAL	PROTECTION
<p>Materials Support Frame: Heavy aluminum plate. Hinge/Lock up: Pressure die cast aluminum. Glare guard / Ceiling canopy / Reflector disk: Aluminum sheet, die formed. Diffusers (side): Thermo-formed acrylic. Bottom lens: Acrylic. Fasteners: Stainless steel.</p> <p>Electrical Components Ballasts: HID - Core & coil, -20°F start or CF - Electronic <10% THD, variable input 120 to 277 volts, 0°F start.</p>	<p>This luminaire is designed to mount to a recessed 4" octagon j-box (by others). Remote mounted ballast assemblies are standard (consult factory for lamp to ballast distance). Optional integral ballast assemblies are offered. For wet locations luminaire must be restrained from wind action. Special hanger or restraint required.</p>	<p>A glare guard or perforated metal liner provide for glare control. The reflector disk directs stray light downward and is adjustable to three positions.</p>	<p>The Orchestra mini elliptical ceiling mount is listed for use in damp locations to UL and CSA standards. An optional wet location label can be provided.</p>



Orchestra Ellipse 2809W Mini Wall Arm Mount

INTERIOR

MODEL	LAMP	VOLT	SHIELD	DIFFUSER	OPTIONS	BALLAST LOCATION	COLOUR
2809W	70H <i>metal halide ed-17 medium</i>	120*	GG* <i>glare guard</i>	RF* <i>frost</i>	F <i>fusing</i>	REM* <i>remote ballast¹</i>	WT <i>white texture</i>
	50H <i>metal halide ed-17 medium</i>	208	PF <i>perforated liner</i>	CL <i>clear</i>	WL <i>wet location listing</i>	INT <i>integral ballast²</i>	BT <i>black texture</i>
	142T <i>compact fluorescent ttt triple</i>	240					SM <i>silver metallic</i>
	132T <i>compact fluorescent 32w/26w ttt triple or 26w dtt quad</i>	277					AN <i>aluminum natural</i>
		347					BZ <i>bronze</i>
							GM <i>gunmetal</i>
							WS <i>white satin</i>
							BM <i>black matte</i>
							RAL <i>specify no.</i>

*Standard configuration unless otherwise specified

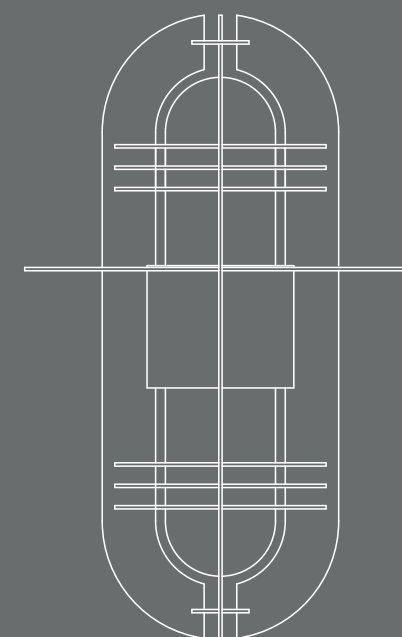
¹HID units only

²HID units supplied with integral ballast canopy, CF units supplied with ballast mounted in arm standard.

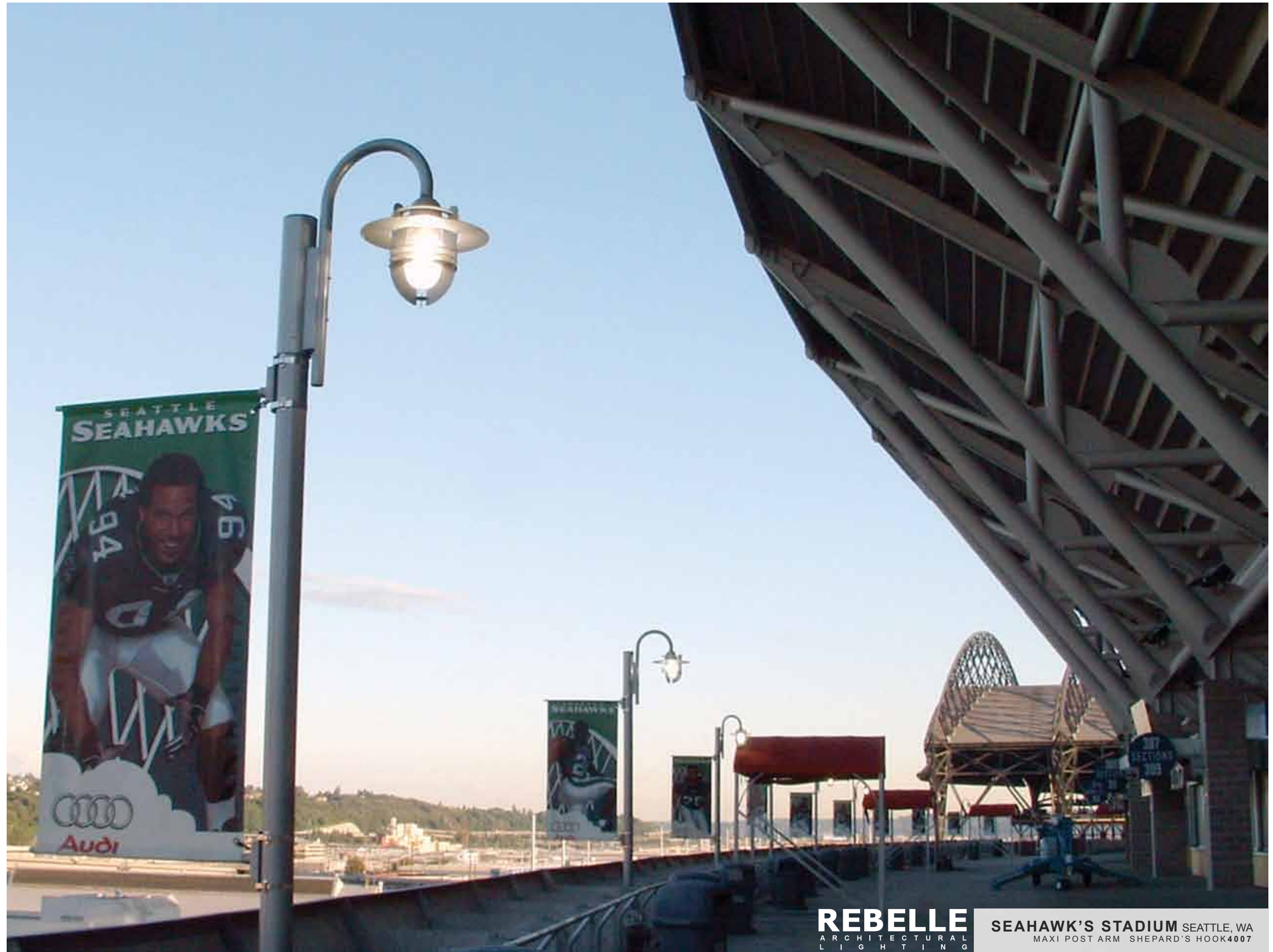
SAMPLE CATALOG NUMBER: 2809W - 70H - 120 - GG - RF - REM - WT

Using this catalog number would order 1 model 2809W mini elliptical wall arm mount luminaire with a 70 watt remote mounted metal halide ballast wired to 120 volts with frosted acrylic lens and glare guard, painted with white texture polyester powder coat. Lamps by others.

CONSTRUCTION	MOUNTING	OPTICAL	PROTECTION
<p>Materials Support Frame: Aluminum plate. Arm assembly: Rectangular extruded aluminum. Hinge/Lock up: Pressure die cast aluminum. Glare guard / Wall canopy / Reflector disk: Aluminum. Diffusers (side): Thermo-formed acrylic. Bottom lens: Acrylic. Fasteners: Stainless steel.</p> <p>Electrical Components Ballasts: HID - Core & coil, -20°F start or CF - Electronic <10% THD, 0°F start, variable input 120 to 277 volts.</p>	<p>Luminaire is designed for mounting over a recessed 4" octagon j-box (by others). Holes (4) are provided in wall plate to attach to the wall outside of the j-box. Adequate backing is required inside the wall to support these fixtures. Arm assembly is shipped separately from the head for field attachment. Remote mounted ballast assemblies are standard (consult factory for lamp to ballast distance). An optional integral ballast design is available which adds to the canopy depth on the mounting surface.</p>	<p>A glare guard or perforated metal liner provide for glare control. The reflector disk directs stray light downward and is field adjustable to three positions.</p>	<p>The Orchestra mini elliptical wall mount is listed for use in damp locations to UL and CSA Standards. An optional wet location label can be provided.</p>



SATURNA



REBELLE
ARCHITECTURAL
LIGHTING

SEAHAWK'S STADIUM SEATTLE, WA
MAXI POST ARM SHEPARD'S HOOK 4007

SATURNA

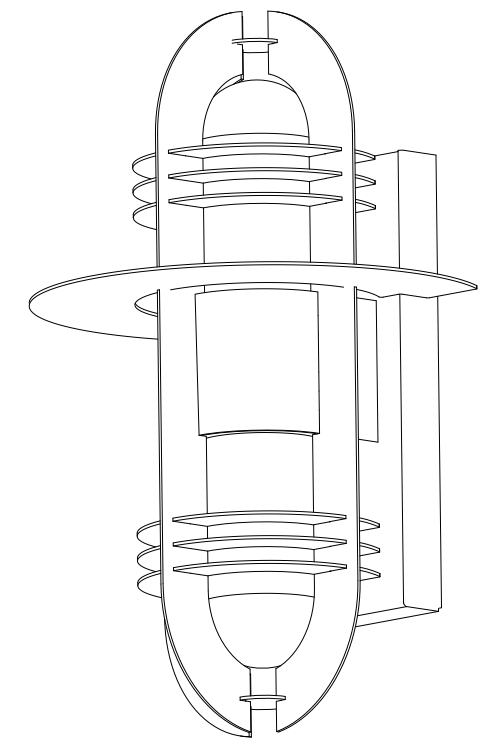


REBELLE
ARCHITECTURAL
LIGHTING

- MINI PENDANT MOUNT **4002** 1
- MAXI BOLLARD **4009** 2
- MAXI CANTILEVERED ARM POST MOUNT **4007A** 3
- RECESSED WALL WITH CROSS GUARD **5009** 4



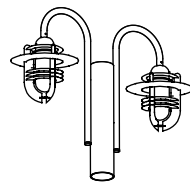
SATURNA 4010 MINI POST TOP



FAMILY
SATURNA

SATURNA

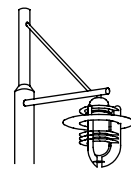
EXTERIOR



4007x2

Maxi

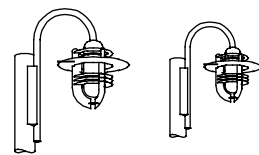
Post Arm



4007A

Maxi

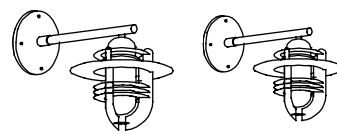
Post Arm



4007

Maxi

Post Arm



4006

Mini

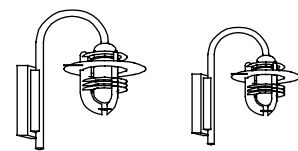
4015

Maxi

Wall Arm

4014

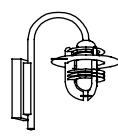
Mini



4005

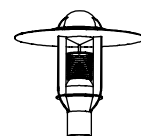
Maxi

Wall Arm



4004

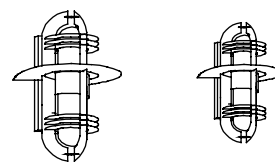
Mini



4010

Mini

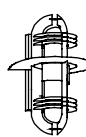
Post Top



4013

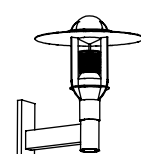
Maxi

Up/Down Sconce



4012

Mini



4010T

Mini

Wall Arm

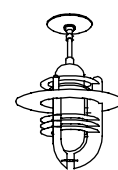


4009

Maxi

Bollard

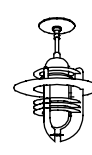
INTERIOR



4003

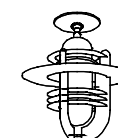
Maxi

Pendant



4002

Mini



4001

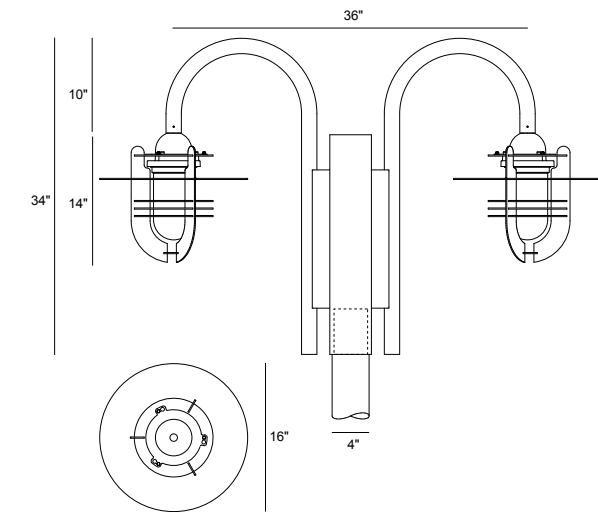
Maxi

Ceiling



4000

Mini



Saturna 4007x2 Maxi Post Arm Twin Streetscape Shepherd's Hook EXTERIOR

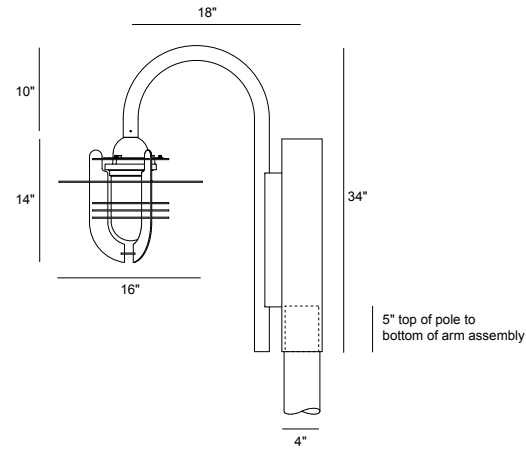
MODEL	LAMP	VOLT	OPTIC	COLOUR
4007x2	200H [ⓔ] metal halide <small>ed-17 medium</small>	120*	PR* clear prismatic	WT white texture
	150H metal halide <small>ed-17 medium</small>	208	RF frost	BT black texture
	100H metal halide <small>ed-17 medium</small>	240		SM silver metallic
	70H metal halide <small>ed-17 medium</small>	277		AN aluminum natural
	142T compact fluorescent <small>ed-17 medium ttt triple</small>	347		BZ bronze
				GM gunmetal
				WS white satin
				BM black matte
				RAL specify no.

*Standard configuration unless otherwise specified [ⓔ] EISA Compliant

SAMPLE CATALOG NUMBER: 4007x2 - 200H - 120 - PR - WT

Using this catalog number would order 1 model 4007x2 twin post arm luminaire with two 200 watt metal halide ballasts wired to 120 volts, with clear prismatic globes and painted white texture. Poles are supplied separately. Lamps by others.

CONSTRUCTION	MOUNTING	OPTICAL	PROTECTION
<p>Materials Housing: Cast aluminum. Gasket: EPDM rubber. Strut assembly: Aluminum sheet, keyholed removal. Reflector disks: Aluminum sheet. Lens/diffuser: Threaded, tempered prismatic glass. Shepherd's hook arm: Aluminum tube. Post top slip fitter: 4.5" aluminum tube.</p>	<p>The Saturna 4007x2 luminaire incorporates a 4.5" diameter ballast housing that slips over a 4.0" diameter pole. The assembly is locked onto the pole with three 1/4 - 20 socket set screws. The ballast tray is removable and the wiring is connected to the internal pole wiring that is supplied by others.</p>	<p>The 4007x2 series is a Type V distribution, non-cut-off classified product. These units are designed to use coated medium base lamps. The optional frosted glass diffuser softens the light.</p>	<p>The Saturna maxi twin post arm luminaire is listed for use in wet locations to UL and CSA Standards. Windloading EPA = 2.5 sq. ft.</p>
<p>Electrical Components Ballast: HID - Core & coil, -20°F start or CF - Electronic, <10% THD, variable input 120 to 277 volts, 0°F start.</p>			



Saturna 4007 Maxi Post Arm Streetscape Shepherd's Hook EXTERIOR

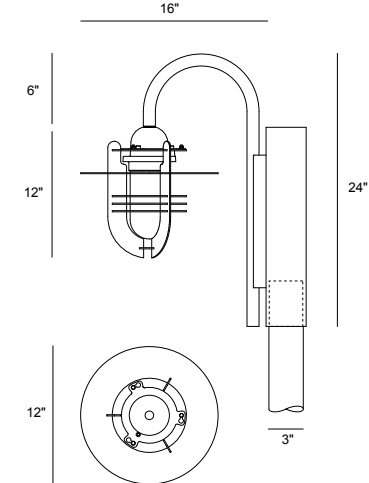
MODEL	LAMP	VOLT	OPTIC	COLOUR
4007	200H [Ⓜ] <i>metal halide</i> <small>ed-17 medium</small>	120*	PR* <i>clear prismatic</i>	WT <i>white texture</i>
	150H <i>metal halide</i> <small>ed-17 medium</small>	208	RF <i>frost</i>	BT <i>black texture</i>
	100H <i>metal halide</i> <small>ed-17 medium</small>	240		SM <i>silver metallic</i>
	70H <i>metal halide</i> <small>ed-17 medium</small>	277		AN <i>aluminum natural</i>
	142T <i>compact fluorescent</i> <small>ttt triple</small>	347		BZ <i>bronze</i>
				GM <i>gunmetal</i>
				WS <i>white satin</i>
				BM <i>black matte</i>
				RAL <i>specify no.</i>

*Standard configuration unless otherwise specified [Ⓜ] EISA Compliant

SAMPLE CATALOG NUMBER: 4007 - 200H - 120 - PR - WT

Using this catalog number would order 1 model 4007 post arm luminaire with a 200 watt metal halide ballast wired to 120 volts, with a clear prismatic globe and painted white texture. Poles are supplied separately. Lamps by others.

CONSTRUCTION	MOUNTING	OPTICAL	PROTECTION
<p>Materials</p> <p>Housing: Cast aluminum. Gasket: EPDM rubber. Strut assembly: Aluminum sheet, keyholed removal. Reflector disks: Aluminum sheet. Lens/diffuser: Threaded, tempered prismatic glass. Shepherd's hook arm: Aluminum tube. Post top slip fitter: 4.5" aluminum tube.</p> <p>Electrical Components</p> <p>Ballast: HID - Core & coil, -20°F start or CF - Electronic, <10% THD, variable input 120 to 277 volts, 0°F start.</p>	<p>The Saturna 4007 luminaire incorporates a 4.5" diameter ballast housing that slips over a 4.0" diameter pole. The assembly is locked onto the pole with three 1/4 - 20 socket set screws. The ballast tray is removable and the wiring is connected to the internal pole wiring that is supplied by others.</p>	<p>The 4007 series is a Type V distribution, non-cut-off classified product. These units are designed to use coated medium base lamps. The optional frosted glass diffuser softens the light.</p>	<p>The Saturna maxi post arm is listed for use in wet locations to UL and CSA Standards. Windloading EPA = 1.25 Sq. Ft.</p>



Saturna 4006 Mini Post Arm Landscape Shepherd's Hook EXTERIOR

MODEL	LAMP	VOLT	OPTIC	COLOUR
4006	50H <i>metal halide</i> ¹ <small>ed-17 medium</small>	120*	PR* <i>clear prismatic</i>	WT <i>white texture</i>
	142T <i>compact fluorescent</i> <small>ttt triple</small>	208	RF <i>frost</i>	BT <i>black texture</i>
	132T <i>compact fluorescent</i> <small>32w/26w ttt triple</small>	240		SM <i>silver metallic</i>
		277		AN <i>aluminum natural</i>
		347		BZ <i>bronze</i>
				GM <i>gunmetal</i>
				WS <i>white satin</i>
				BM <i>black matte</i>
				RAL <i>specify no.</i>

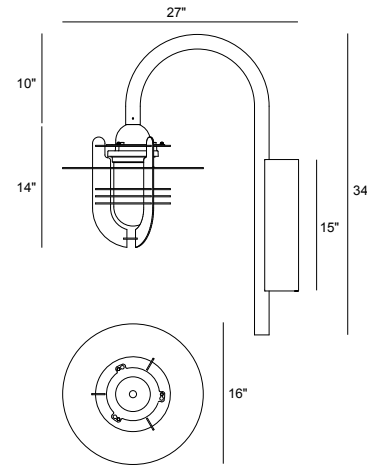
*Standard configuration unless otherwise specified

¹Only available in 120V or 277V

SAMPLE CATALOG NUMBER: 4006 - 50H - 120 - PR - WT

Using this catalog number would order 1 model 4006 post arm luminaire with a 50 watt metal halide ballast wired to 120 volts, with a clear prismatic globe and painted white texture. Poles are supplied separately. Lamps by others.

CONSTRUCTION	MOUNTING	OPTICAL	PROTECTION
<p>Materials</p> <p>Housing: Cast aluminum. Gasket: EPDM rubber. Strut assembly: Aluminum sheet, keyholed removal. Reflector disks: Aluminum sheet. Lens/diffuser: Threaded, tempered prismatic glass. Shepherd's hook arm: Aluminum tube. Post top slip fitter: 3.5" aluminum tube.</p> <p>Electrical Components</p> <p>Ballast: HID - Core & coil, -20°F start or CF - Electronic, <10% THD, variable input 120 to 277 volts, 0°F start.</p>	<p>The Saturna 4006 luminaire is designed to slip fit a 3" OD pole or tenon (2.875" ID minimum). Top cap is removable for ballast access. Stainless steel set screws lock head to pole.</p>	<p>Threaded globe with prismatic linear prisms or optional frost. Strut and disk assembly shield lamp. Top reflector disk directs light downward.</p>	<p>The Saturna mini post arm luminaire is listed for use in wet locations to UL and CSA Standards. Windloading EPA = 0.80 Sq. Ft.</p>



Saturna 4005 Maxi Wall Arm Shepherd's Hook

EXTERIOR

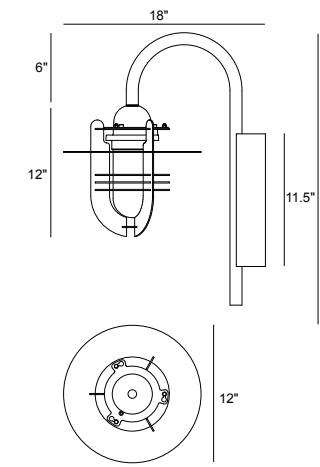
MODEL	LAMP	VOLT	OPTIC	OPTIONS	COLOUR
4005	200H [Ⓔ] <i>metal halide ed-17 medium</i>	120*	PR* <i>clear prismatic</i>	PC <i>button type photocell</i>	WT <i>white texture</i>
	150H <i>metal halide ed-17 medium</i>	208	RF <i>frost</i>		BT <i>black texture</i>
	100H <i>metal halide ed-17 medium</i>	240			SM <i>silver metallic</i>
	70H <i>metal halide ed-17 medium</i>	277			AN <i>aluminum natural</i>
	142T <i>compact fluorescent ttt triple</i>	347			BZ <i>bronze</i>
					GM <i>gunmetal</i>
					WS <i>white satin</i>
					BM <i>black matte</i>
					RAL <i>specify no.</i>

*Standard configuration unless otherwise specified [Ⓔ] EISA Compliant

SAMPLE CATALOG NUMBER: 4005 - 200H - 120 - PR - WT

Using this catalog number would order 1 model 4005 wall arm luminaire with a 200 watt metal halide ballast wired to 120 volts, with a clear prismatic globe and painted with white texture polyester powder coat. Lamps by others.

CONSTRUCTION	MOUNTING	OPTICAL	PROTECTION
<p>Materials Luminaire housing: Cast aluminum. Gasket: EPDM rubber. Strut assembly: Aluminum sheet, keyholed removal. Reflector disks: Aluminum sheet. Lens/diffuser: Threaded, tempered prismatic glass. Shepherd's hook arm: Aluminum tubing. Ballast compartment and arm spacer: Aluminum sheet (seam welded and ground). Fasteners: Stainless steel.</p> <p>Electrical Components Ballast: HID - Core & coil, -20°F start or CF - Electronic, <10% THD, variable input 120 to 277 volts, 0°F start.</p>	<p>Luminaire is designed to hook onto a heavy gauge mounting plate. Mounting plate is fixed to the wall surface independent of recessed 4" j-box. Silicone seal is required along the top and down the sides of the ballast compartment to exclude moisture.</p>	<p>Threaded globe with prismatic linear prisms or optional frost. Strut and disk assembly shield lamp. Top reflector disk directs light downward.</p>	<p>The Saturna maxi wall arm luminaire is listed for use in wet locations to UL and CSA Standards.</p>



Saturna 4004 Mini Wall Arm Shepherd's Hook

EXTERIOR

MODEL	LAMP	VOLT	OPTIC	OPTIONS	COLOUR
4004	50H <i>metal halide¹ ed-17 medium</i>	120*	PR* <i>clear prismatic</i>	PC <i>button type photocell</i>	WT <i>white texture</i>
	142T <i>compact fluorescent ttt triple</i>	208	RF <i>frost</i>		BT <i>black texture</i>
	132T <i>compact fluorescent 32w/26w ttt triple</i>	240			SM <i>silver metallic</i>
		277			AN <i>aluminum natural</i>
		347			BZ <i>bronze</i>
					GM <i>gunmetal</i>
					WS <i>white satin</i>
					BM <i>black matte</i>
					RAL <i>specify no.</i>

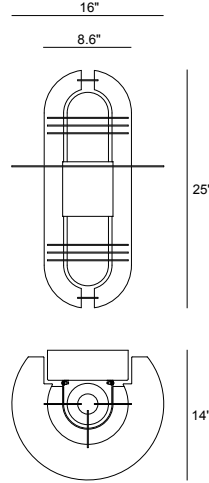
*Standard configuration unless otherwise specified

¹Only available in 120V or 277V

SAMPLE CATALOG NUMBER: 4004 - 50H - 120 - PR - WT

Using this catalog number would order 1 model 4004 wall arm luminaire with a 50 watt metal halide ballast wired to 120 volts, with a clear prismatic globe and painted with white texture polyester powder coat. Lamps by others.

CONSTRUCTION	MOUNTING	OPTICAL	PROTECTION
<p>Materials Luminaire housing: Cast aluminum. Gasket: EPDM rubber. Strut assembly: Aluminum sheet, keyholed removal. Reflector disks: Aluminum sheet. Lens/diffuser: Threaded, tempered prismatic glass. Shepherd's hook arm: Aluminum tubing. Ballast compartment and arm spacer: Aluminum sheet (seam welded and ground). Fasteners: Stainless steel.</p> <p>Electrical Components Ballast: HID - Core & coil, -20°F start or CF - Electronic, <10% THD, variable input 120 to 277 volts, 0°F start.</p>	<p>Luminaire is designed to hook onto a heavy gauge mounting plate. Mounting plate is fixed to the wall surface independent of recessed 4" j-box. Silicone seal is required along the top and down the sides of the ballast compartment to exclude moisture.</p>	<p>Threaded globe with prismatic linear prisms or optional frost. Strut and disk assembly shield lamp. Top reflector disk directs light downward.</p>	<p>The Saturna mini wall arm mount luminaire is listed for use in wet locations to UL and CSA Standards.</p>



Saturna 4013 Maxi Wall Back Mount Sconce

EXTERIOR

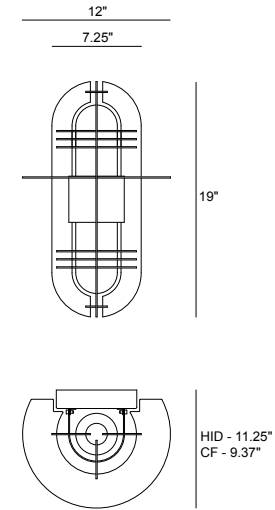
MODEL	LAMP	VOLT	OPTIC	OPTIONS	COLOUR
4013	150H <i>metal halide ed-17 medium (2 x 150w)</i>	120*	PR* <i>clear prismatic</i>	PC <i>button type photocell</i>	WT <i>white texture</i>
	100H <i>metal halide ed-17 medium(2 x 100w)</i>	208	RF <i>frost</i>		BT <i>black texture</i>
	70H <i>metal halide ed-17 medium(2 x 70w)</i>	240			SM <i>silver metallic</i>
	242T <i>compact fluorescent ttt triple (2 x 42w)</i>	277			AN <i>aluminum natural</i>
		347			BZ <i>bronze</i>
					GM <i>gunmetal</i>
					WS <i>white satin</i>
					BM <i>black matte</i>
					RAL <i>specify no.</i>

*Standard configuration unless otherwise specified

SAMPLE CATALOG NUMBER: 4013 - 150H - 120 - PR - WT

Using this catalog number would order 1 model 4013 wall back mount sconce with a 2 x 150 watt metal halide ballast wired to 120 volts, with clear prismatic globes and painted with white texture polyester powder coat. Lamps by others.

CONSTRUCTION	MOUNTING	OPTICAL	PROTECTION
<p>Materials Ballast housing with lampholder assembly: Heavy gauge aluminum. Gasket: EPDM rubber. Strut and disk assembly: Heavy gauge aluminum. Globe fitter: Die cast aluminum. Lens/diffuser: Threaded, tempered prismatic glass. Fasteners: Stainless steel.</p> <p>Electrical components Ballast: HID - Core & coil, -20°F start or CF - Electronic, <10% THD, variable input 120 to 277 volts, 0°F start.</p>	<p>Luminaire is designed to mount over a centrally located recessed 4" octagon j-box. Four mounting holes are provided to attach luminaire to the wall. Sealant should be applied across the top of the backplate and down the sides to exclude water entrance. Mounting bracket attaches to the wall and strut/disk assembly hooks on top and is secured with stainless steel set screws.</p>	<p>Luminaire features prismatic, tempered glass threaded globes. Optional frost globe finish is also offered. Strut and disk assembly provides a decorative appearance while providing glare control and light direction.</p>	<p>The Saturna maxi wall sconce is listed for use in wet locations to UL and CSA Standards.</p>



Saturna 4012 Mini Wall Back Mount Sconce

EXTERIOR

MODEL	LAMP	VOLT	OPTIC	OPTIONS	COLOUR
4012	50H <i>metal halide¹ ed-17 medium (2 x 50w)</i>	120*	PR* <i>clear prismatic</i>	PC <i>button type photocell</i>	WT <i>white texture</i>
	232T <i>compact fluorescent 32w/26w ttt triple (2 x 32w)</i>	208	RF <i>frost</i>		BT <i>black texture</i>
		240			SM <i>silver metallic</i>
		277			AN <i>aluminum natural</i>
		347			BZ <i>bronze</i>
					GM <i>gunmetal</i>
					WS <i>white satin</i>
					BM <i>black matte</i>
					RAL <i>specify no.</i>

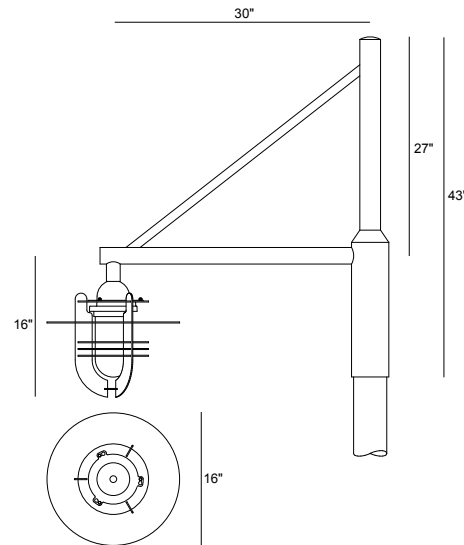
*Standard configuration unless otherwise specified

¹Only available in 120V or 277V

SAMPLE CATALOG NUMBER: 4012 - 50H - 120 - PR - WT

Using this catalog number would order 1 model 4012 wall back mount sconce with 2 x 50 watt metal halide ballast wired to 120 volts, with clear prismatic globes and painted with white texture polyester powder coat. Lamps by others.

CONSTRUCTION	MOUNTING	OPTICAL	PROTECTION
<p>Materials Ballast housing with lampholder assembly: Heavy gauge aluminum. Gasket: EPDM rubber. Strut and disk assembly: Heavy gauge aluminum. Globe fitter: Die cast aluminum. Lens/diffuser: Threaded, tempered prismatic glass. Fasteners: Stainless steel.</p> <p>Electrical components Ballast: HID - Core & coil, -20°F start or CF - Electronic, <10% THD, variable input 120 to 277 volts, 0°F start.</p>	<p>Luminaire is designed to mount over a centrally located recessed 4" octagon j-box. Four mounting holes are provided to attach luminaire to the wall. Sealant should be applied across the top of the backplate and down the sides to exclude water entrance. Mounting bracket attaches to the wall and strut/disk assembly hooks on top and is secured with stainless steel set screws.</p>	<p>Luminaire features prismatic, tempered glass threaded globes. Optional frost globe finish is also offered. Strut and disk assembly provide a decorative appearance while providing glare control and light direction.</p>	<p>The Saturna mini wall sconce is listed for use in wet locations to UL and CSA Standards.</p>



Saturna 4007A Maxi Cantilevered Arm Streetscape Post Mount EXTERIOR

MODEL	LAMP	VOLT	OPTIC	OPTIONS	COLOUR
4007A	200H metal halide <small>ed-17 medium</small>	120*	PR* clear prismatic	FS fusing	WT white texture
	150H metal halide <small>ed-17 medium</small>	208	RF frost		BT black texture
	100H metal halide <small>ed-17 medium</small>	240			SM silver metallic
	70H metal halide <small>ed-17 medium</small>	277			AN aluminum natural
	142T compact fluorescent <small>ttt triple</small>	347			BZ bronze
					GM gunmetal
					WS white satin
					BM black matte
					RAL specify no.

*Standard configuration unless otherwise specified EISA Compliant

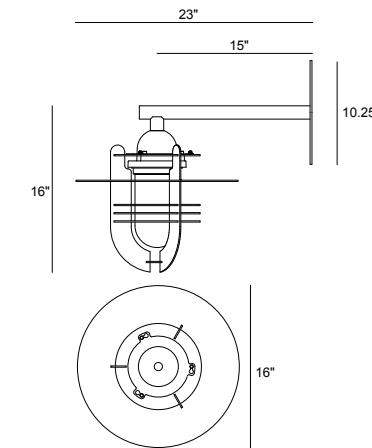
SAMPLE CATALOG NUMBER: 4007A - 200H - 120 - PR - WT

Using this catalog number would order 1 model 4007A post arm luminaire with a 200 watt metal halide ballast wired to 120 volts, with a clear prismatic globe, painted white texture. Poles are supplied separately. Lamps by others.

CONSTRUCTION	MOUNTING	OPTICAL	PROTECTION
<p>Materials</p> <p>Ballast housing / Arm assembly / Mast: Heavy aluminum tubing.</p> <p>Luminaire housing: Cast aluminum.</p> <p>Gasket: EPDM rubber. Strut assembly: Aluminum plate, keyholed removal. Reflector disks: Aluminum plate. Lens/diffuser: Threaded, tempered prismatic glass.</p> <p>Electrical Components</p> <p>Ballast: HID - Core & coil, -20°F start or CF - Electronic, <10% THD, variable input 120 to 277 volts, 0°F start.</p>	<p>This luminaire is designed to mount to a bottleneck pole catalog number 3031 with a 3.5" diameter x 4.5" tall tenon. Ballast is mounted in the base of the pole. Arm assembly and head are locked to the pole with three stainless set screws.</p>	<p>The 4007A series is a Type V area distribution, non-cutoff classified product. Standard refractor is prismatic clear. The optional frosted glass diffuser softens the light.</p>	<p>The Saturna maxi cantilevered arm mount post luminaire is listed for use in wet locations to UL and CSA Standards.</p> <p>Windloading EPA = 1.63 Sq. Ft.</p>



Integral ballast option shown



Saturna 4015 Maxi Wall Mount EXTERIOR

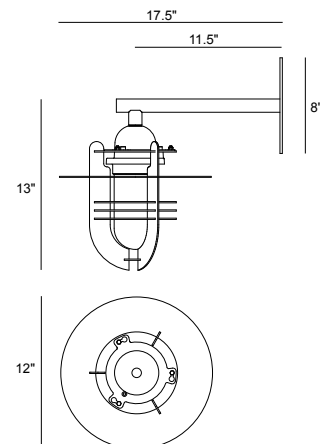
MODEL	LAMP	VOLT	OPTIC	BALLAST LOCATION	COLOUR
4015	200H metal halide <small>ed-17 medium</small>	120*	PR* clear prismatic	REM* remote ballast	WT white texture
	150H metal halide <small>ed-17 medium</small>	208	RF frost	INT integral ballast	BT black texture
	100H metal halide <small>ed-17 medium</small>	240			SM silver metallic
	70H metal halide <small>ed-17 medium</small>	277			AN aluminum natural
	142T compact fluorescent <small>ttt triple</small>	347			BZ bronze
					GM gunmetal
					WS white satin
					BM black matte
					RAL specify no.

*Standard configuration unless otherwise specified EISA Compliant

SAMPLE CATALOG NUMBER: 4015 - 200H - 120 - PR - REM - WT

Using this catalog number would order 1 model 4015 wall mount luminaire with a 200 watt remote mounted metal halide ballast wired to 120 volts, with a clear prismatic globe and painted with white texture polyester powder coat. Lamps by others.

CONSTRUCTION	MOUNTING	OPTICAL	PROTECTION
<p>Materials</p> <p>Luminaire housing: Cast aluminum.</p> <p>Gasket: EPDM rubber. Strut assembly: Aluminum sheet, keyholed removal. Reflector disks: Aluminum sheet. Lens/diffuser: Threaded, tempered prismatic glass. Arm: Extruded aluminum, round. Wall plate: Aluminum. Exposed fasteners: Stainless steel.</p> <p>Electrical Components</p> <p>Ballast: HID - Core & coil, -20°F start or CF - Electronic, <10% THD, variable input 120 to 277 volts, 0°F start.</p>	<p>Luminaire is designed for mounting over a recessed j-box. Mounting plate is mounted to wall independent of j-box. Adequate backing must be provided. Sealant is required around circumference of wall plate leaving a void at bottom for drainage. Remote mounted ballast assemblies are standard.(Consult factory for lamp to ballast distance)</p>	<p>Luminaire is a non-cutoff decorative luminaire. Optional frosted glass is offered.</p>	<p>The Saturna maxi wall mount is listed for use in wet locations to UL and CSA Standards.</p>



Integral ballast option shown

Saturna 4014 Mini Wall Mount

EXTERIOR

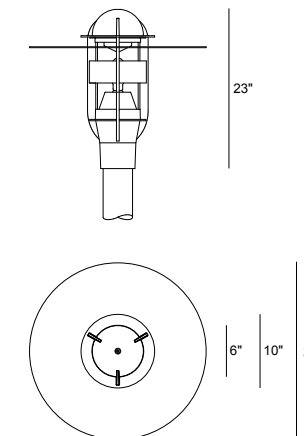
MODEL	LAMP	VOLT	OPTIC	BALLAST LOCATION	OPTIONS	COLOUR
4014	50H <i>metal halide ed-17 medium</i>	120*	PR* <i>clear prismatic</i>	REM* <i>remote ballast</i>	FS <i>fusing</i>	WT <i>white texture</i>
	142T <i>compact fluorescent</i>	208	RF <i>frost</i>	INT <i>integral ballast</i>		BT <i>black texture</i>
	132T <i>compact fluorescent ttt triple 32w/26w ttt triple</i>	240				SM <i>silver metallic</i>
		277				AN <i>aluminum natural</i>
		347				BZ <i>bronze</i>
						GM <i>gunmetal</i>
						WS <i>white satin</i>
						BM <i>black matte</i>
						RAL <i>specify no.</i>

*Standard configuration unless otherwise specified

SAMPLE CATALOG NUMBER: 4014 - 50H - 120 - PR - REM - WT

Using this catalog number would order 1 model 4014 wall mount luminaire with a 50 watt remote mounted metal halide ballast wired to 120 volts, with a clear prismatic globe and painted with white texture polyester powder coat. Lamps by others.

CONSTRUCTION	MOUNTING	OPTICAL	PROTECTION
<p>Materials Luminaire housing: Cast aluminum. Gasket: EPDM rubber. Strut assembly: Aluminum sheet, keyholed removal. Reflector disks: Aluminum sheet. Lens/diffuser: Threaded, tempered prismatic glass. Arm: Extruded aluminum, round. Wall plate: Aluminum. Exposed fasteners: Stainless steel.</p> <p>Electrical components Ballast: HID - Core & coil, -20°F start or CF - Electronic, <10% THD, variable input 120 to 277 volts, 0°F start.</p>	<p>Luminaire is designed for mounting over a recessed j-box. Mounting plate is mounted to wall independent of j-box. Adequate backing must be provided. Sealant is required around circumference of wall plate leaving a void at bottom for drainage. Remote mounted ballast assemblies are standard. (Consult factory for lamp to ballast distance)</p>	<p>Luminaire is a non-cutoff decorative luminaire. Optional frosted glass is offered.</p>	<p>The Saturna mini wall mount is listed for use in wet locations to UL and CSA Standards.</p>



Saturna 4010 Mini Landscape Post Top

EXTERIOR

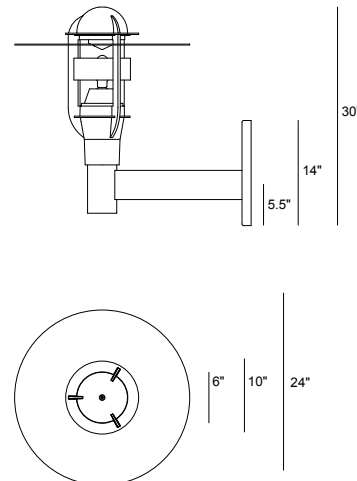
MODEL	LAMP	VOLT	OPTIC	OPTIONS	COLOUR
4010	100H <i>metal halide ed-17 medium</i>	120*	GG* <i>glare guard, no refractor</i>	HSS <i>house side shield</i>	WT <i>white texture</i>
	70H <i>metal halide ed-17 medium</i>	208	T5 <i>type V refractor, glare guard</i>		BT <i>black texture</i>
		240	LV <i>louvre assembly, no refractor</i>		SM <i>silver metallic</i>
		277			AN <i>aluminum natural</i>
		347			BZ <i>bronze</i>
					GM <i>gunmetal</i>
					WS <i>white satin</i>
					BM <i>black matte</i>
					RAL <i>specify no.</i>

*Standard configuration unless otherwise specified

SAMPLE CATALOG NUMBER: 4010 - 100H - 120 - GG - WT

Using this catalog number would order 1 model 4010 post luminaire with a 100 watt metal halide ballast wired to 120 volts, with a glare guard and painted white texture polyester powder coat. Poles are supplied separately. Lamps by others.

CONSTRUCTION	MOUNTING	OPTICAL	PROTECTION
<p>Materials Pole fitter and top cap: Cast aluminum. Reflector disk: Heavy aluminum. Distributing reflector: specular aluminum. Protective lens: Clear polycarbonate. Vertical ribs: Heavy aluminum.</p> <p>Electrical Components Ballast: HID - Core & coil, -20°F start.</p>	<p>Luminaire is designed to slip fit a 4" OD pole or tenon. Inside diameter should be no less than 3.75". Fitter casting is locked to pole by three stainless steel cup point socket set screws with allen drive.</p>	<p>Luminaire has a type V distribution with the glare guard. The glare guard optic and louvre optic are classified as 'cutoff' and the T5 optic as 'semi-cutoff'. Coated lamps should be used in the louvre and glare guard optic. Use clear lamps with the T5 refractor optic.</p>	<p>The Saturna mini post top is listed for use in wet locations to UL and CSA standards. Windloading EPA = 0.95 Sq. Ft.</p>



Saturna 4010T Mini Wall Arm Mount

EXTERIOR

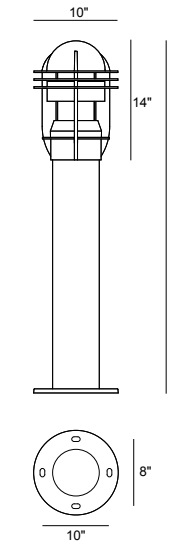
MODEL	LAMP	VOLT	OPTIC	COLOUR
4010T	100H <i>metal halide ed-17 medium</i>	120*	GG* glare guard, no refractor	WT white texture
	70H <i>metal halide ed-17 medium</i>	208	T5 type V refractor, glare guard	BT black texture
		240	LV louvre assembly, no refractor	SM silver metallic
		277		AN aluminum natural
		347		BZ bronze
				GM gunmetal
				WS white satin
				BM black matte
				RAL specify no.

*Standard configuration unless otherwise specified

SAMPLE CATALOG NUMBER: 4010T - 100H - 120 - GG - WT

Using this catalog number would order 1 model 4010T wall arm luminaire with a 100 watt metal halide ballast wired to 120 volts, with a glare guard and painted white texture. Poles are supplied separately. Lamps by others.

CONSTRUCTION	MOUNTING	OPTICAL	PROTECTION
<p>Materials Top cap and mounting fitter: Cast aluminum. Reflector disk: Heavy aluminum. Distributing reflector: Specular aluminum. Protective lens: Clear polycarbonate. Vertical ribs: Heavy aluminum. Arm and wall canopy assembly: Rigid weld assembly.</p> <p>Electrical Components Ballast: HID - Core & coil, -20°F start.</p>	<p>Luminaire is designed to mount to an exterior wall surface. The mounting plate is attached to the wall using appropriate bolts and anchors (by others). Unit is designed to cover a recessed 4" octagon j-box. Wall canopy hooks on to mounting plate and is locked by two set screws at bottom. Chaulking is required (by others) across top and down sides of wall canopy to exclude moisture.</p>	<p>Luminaire has a type V distribution with the glare guard. The glare guard optic and louvre optic are classified as 'cutoff' and the T5 optic as 'semi-cutoff'. Coated lamps should be used in the louvre and glare guard optic. Use clear lamps with the T5 refractor optic.</p>	<p>The Saturna mini wall arm mount luminaire is listed for use in wet locations to UL and CSA standards.</p>



Saturna 4009 Maxi Landscape Bollard

EXTERIOR

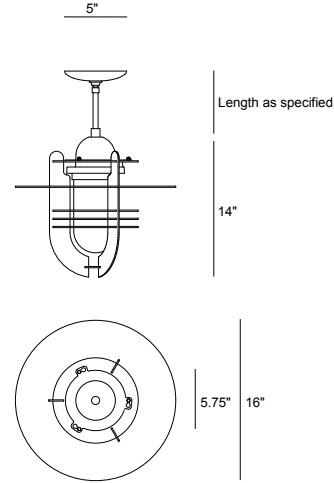
MODEL	LAMP	VOLT	OPTIC	OPTIONS	COLOUR
4009	100H <i>metal halide ed-17 medium</i>	120*	PR* clear prismatic	BCR base cover - round	WT white texture
	70H <i>metal halide ed-17 medium</i>	208	RF frost		BT black texture
	50H <i>metal halide ed-17 medium</i>	240			SM silver metallic
	142T <i>compact fluorescent ed-17 medium</i>	277			AN aluminum natural
	132T <i>compact fluorescent ttt triple 32w/26w ttt triple</i>	347			BZ bronze
					GM gunmetal
					WS white satin
					BM black matte
					RAL specify no.

*Standard configuration unless otherwise specified

SAMPLE CATALOG NUMBER: 4009 - 100H - 120 - PR - WT

Using this catalog number would order 1 model 4009 maxi bollard with a 100 watt metal halide ballast wired to 120 volts, with a clear prismatic globe and painted white texture. Lamps by others.

CONSTRUCTION	MOUNTING	OPTICAL	PROTECTION
<p>Materials Top cap: Cast aluminum. Reflector disks / Vertical ribs: Machined aluminum plate. Lens / Diffuser: Threaded, tempered prismatic glass. Glare guard: Aluminum. Fitter: Die formed aluminum. Post: 5.6" diameter seamless aluminum.</p> <p>Electrical Components Ballast: HID - Core & coil, -20°F start or CF - Electronic, <10% THD, variable input 120 to 277 volts, 0°F start.</p>	<p>Luminaire is designed to mount to a concrete base (by others). Four anchor bolts are provided in hot dipped galvanized finish. Base plate is welded to bollard shaft. Base cover is offered as an option.</p>	<p>The standard prismatic glass globe mated with the glare band assembly provides for a Type V 'cut off' distribution. Optional frosted glass globe is also offered.</p>	<p>The Saturna bollard is listed for use in wet locations to UL and CSA Standards.</p>



Saturna 4003 Maxi Pendant Mount

INTERIOR

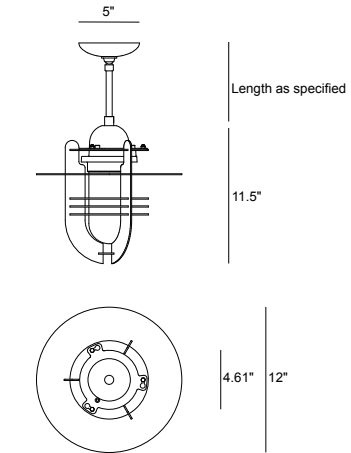
MODEL	LAMP	VOLT	OPTIC	BALLAST LOCATION	OPTIONS	COLOUR
4003	200H metal halide ed-17 medium	120*	PR* clear prismatic	REM* remote ballast	WL wet location label	WT white texture
	150H metal halide ed-17 medium	208	RF frost	INT integral ballast		BT black texture
	100H metal halide ed-17 medium	240			C86 45° ball aligner hanger	SM silver metallic
	70H metal halide ed-17 medium	277				AN aluminum natural
	142T ed-17 medium compact fluorescent ttt triple	347				BZ bronze
						GM gunmetal
						WS white satin
						BM black matte
						RAL specify no.

*Standard configuration unless otherwise specified EISA Compliant

SAMPLE CATALOG NUMBER: 4003 - 200H - 120 - PR - REM - WT

Using this catalog number would order 1 model 4003 pendant mount luminaire with a remote 200 watt metal halide ballast wired to 120 volts, with a clear prismatic globe and painted with white texture polyester powder coat. Lamps by others.

CONSTRUCTION	MOUNTING	OPTICAL	PROTECTION
<p>Materials Luminaire housing: Cast aluminum. Gasket: EPDM rubber. Strut assembly: Aluminum sheet, keyholed removal. Reflector disks: Aluminum sheet. Lens/diffuser: Threaded, 4.4" tempered prismatic glass. Stem: Steel tubing with hangstraight swivel. Fasteners: Stainless steel.</p> <p>Electrical Components Ballast: HID - Core & coil, -20°F start or CF - Electronic, <10% THD, variable input 120 to 277 volts, 0°F start.</p>	<p>Luminaire is designed to mount over a recessed 4" octagon j-box. Backstrap mounts to the ears of the j-box.</p> <p>The integral ballast option provides a ballast compartment at the ceiling line. Additional mounting holes are provided to allow mounting independent of the junction box ears if integral ballast option is requested. For wet locations luminaire must be restrained from wind action. Special hanger or restraint required.</p> <p>A +/- 5° hangstraight is provided. Optional 45° ball aligner is offered.</p>	<p>Threaded globe with prismatic linear prisms is standard with frosted globe optional. Strut and disk assembly shield lamp. Top reflector disk directs light downward.</p>	<p>The Saturna maxi pendant is listed for use in damp locations to UL and CSA Standards. An optional wet location label can be provided.</p>



Saturna 4002 Mini Pendant Mount

INTERIOR

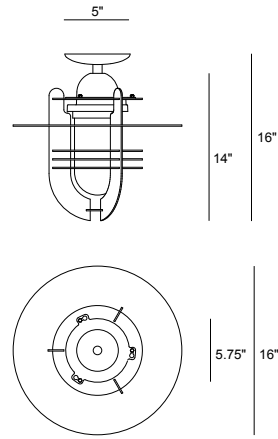
MODEL	LAMP	VOLT	OPTIC	BALLAST LOCATION	OPTIONS	COLOUR
4002	50H metal halide ed-17 medium	120*	PR* clear prismatic	REM* remote ballast	WL wet location label	WT white texture
	142T ed-17 medium compact fluorescent ttt triple	208	RF frost	INT integral ballast	C86 45° ball aligner hanger	BT black texture
	132T ed-17 medium compact fluorescent 32w/26w ttt triple	240				SM silver metallic
		277				AN aluminum natural
		347				BZ bronze
						GM gunmetal
						WS white satin
						BM black matte
						RAL specify no.

*Standard configuration unless otherwise specified

SAMPLE CATALOG NUMBER: 4002 - 50H - 120 - PR - REM - WT

Using this catalog number would order 1 model 4002 pendant mount luminaire with a remote 50 watt metal halide ballast wired to 120 volts, with a clear prismatic globe and painted with white texture polyester powder coat. Lamps by others.

CONSTRUCTION	MOUNTING	OPTICAL	PROTECTION
<p>Materials Luminaire housing: Cast aluminum. Gasket: EPDM rubber. Strut assembly: Aluminum sheet, keyholed removal. Reflector disks: Aluminum sheet. Lens/diffuser: Threaded, 3.4" tempered prismatic glass. Stem: Steel tubing with hangstraight swivel. Fasteners: Stainless steel.</p> <p>Electrical components Ballast: HID - Core & coil, 20°F start or CF - Electronic, <10% THD, variable input 120 to 277 volts, 0°F start.</p>	<p>Luminaire is designed to mount over a recessed 4" octagon j-box. Backstrap mounts to the ears of the j-box.</p> <p>The integral ballast option provides a ballast compartment at the ceiling line. Additional mounting holes are provided to allow mounting independent of the junction box ears if integral ballast option is requested. For wet locations luminaire must be restrained from wind action. Special hanger or restraint required.</p> <p>A +/- 5° hangstraight is provided. Optional 45° ball aligner is offered.</p>	<p>Threaded globe with prismatic linear prisms is standard with frosted globe optional. Strut and disk assembly shield lamp. Top reflector disk directs light downward.</p>	<p>The Saturna mini pendant is listed for use in damp locations to UL and CSA Standards. An optional wet location label can be provided.</p>



Saturna 4001 Maxi Ceiling Mount

INTERIOR

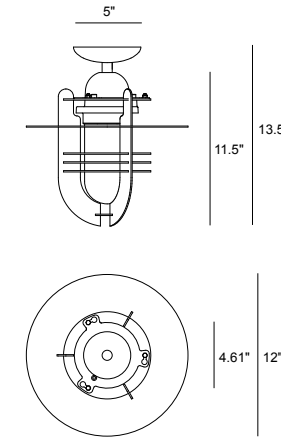
MODEL	LAMP	VOLT	OPTIC	BALLAST LOCATION	OPTIONS	COLOUR
4001	200H metal halide <small>ed-17 medium</small>	120*	PR* clear prismatic	REM* remote ballast	WL wet location label	WT white texture
	150H metal halide <small>ed-17 medium</small>	208	RF frost	INT integral ballast		BT black texture
	100H metal halide <small>ed-17 medium</small>	240				SM silver metallic
	70H metal halide <small>ed-17 medium</small>	277				AN aluminum natural
	142T compact fluorescent <small>ttt triple</small>	347				BZ bronze
						GM gunmetal
						WS white satin
						BM black matte
						RAL specify no.

*Standard configuration unless otherwise specified EISA Compliant

SAMPLE CATALOG NUMBER: 4001 - 200H - 120 - PR - REM - WT

Using this catalog number would order 1 model 4001 pendant mount luminaire with a remote 200 watt metal halide ballast wired to 120 volts, with a clear prismatic globe and painted with white texture polyester powder coat. Lamps by others.

CONSTRUCTION	MOUNTING	OPTICAL	PROTECTION
<p>Materials Luminaire housing: Cast aluminum. Gasket: EPDM rubber. Strut assembly: Aluminum sheet, keyholed removal. Reflector disks: Aluminum sheet. Lens/diffuser: Threaded, 4.4" tempered prismatic glass. Fasteners: Stainless steel.</p> <p>Electrical Components Ballast: HID - Core & coil, -20°F start or CF - Electronic, <10% THD, variable input 120 to 277 volts, 0°F start.</p>	<p>Luminaire is designed to mount over a recessed 4" octagon j-box. Backstrap mounts to the ears of the j-box.</p> <p>The integral ballast option provides a ballast compartment at the ceiling line. Additional mounting holes are provided to allow mounting independent of the junction box ears if integral ballast option is requested. For wet locations luminaire must be restrained from wind action. Special hanger or restraint required.</p> <p>A +/- 5° hangstraight is provided.</p>	<p>Threaded globe with prismatic linear prisms is standard with frosted globe optional. Strut and disk assembly shield lamp. Top reflector disk directs light downward.</p>	<p>The Saturna maxi ceiling mount is listed for use in damp locations to UL and CSA Standards. An optional wet location label can be provided.</p>



Saturna 4000 Mini Ceiling Mount

INTERIOR

MODEL	LAMP	VOLT	OPTIC	BALLAST LOCATION	OPTIONS	COLOUR
4000	50H metal halide <small>ed-17 medium</small>	120*	PR* clear prismatic	REM* remote ballast	WL wet location label	WT white texture
	142T compact fluorescent <small>ttt triple</small>	208	RF frost	INT integral ballast		BT black texture
	132T compact fluorescent <small>32w/26w ttt triple</small>	240				SM silver metallic
		277				AN aluminum natural
		347				BZ bronze
						GM gunmetal
						WS white satin
						BM black matte
						RAL specify no.

*Standard configuration unless otherwise specified

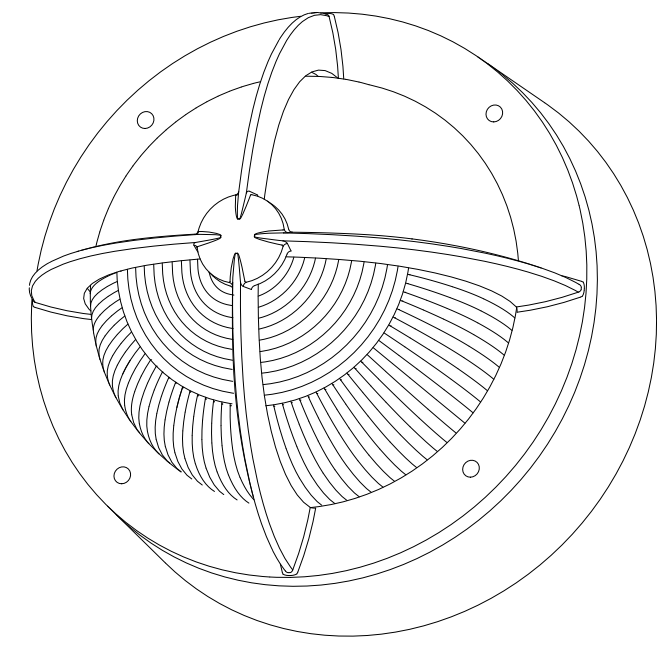
SAMPLE CATALOG NUMBER: 4000 - 50H - 120 - PR - REM - WT

Using this catalog number would order 1 model 4000 pendant mount luminaire with a remote 50 watt metal halide ballast wired to 120 volts, with a clear prismatic globe and painted with white texture polyester powder coat. Lamps by others.

CONSTRUCTION	MOUNTING	OPTICAL	PROTECTION
<p>Materials Luminaire housing: Cast aluminum. Gasket: EPDM rubber. Strut assembly: Aluminum sheet, keyholed removal. Reflector disks: Aluminum sheet. Lens/diffuser: Threaded, 3.4" tempered prismatic glass. Fasteners: Stainless steel.</p> <p>Electrical components Ballast: HID - Core & coil, 20°F start or CF - Electronic, <10% THD, variable input 120 to 277 volts, 0°F start.</p>	<p>Luminaire is designed to mount over a recessed 4" octagon j-box. Backstrap mounts to the ears of the j-box.</p> <p>The integral ballast option provides a ballast compartment at the ceiling line. Additional mounting holes are provided to allow mounting independent of the junction box ears if integral ballast option is requested.</p> <p>A +/- 5° hangstraight is provided.</p>	<p>Threaded globe with prismatic linear prisms is standard with frosted globe optional. Strut and disk assembly shield lamp. Top reflector disk directs light downward.</p>	<p>The Saturna mini ceiling mount is listed for use in damp locations to UL and CSA Standards. An optional wet location label can be provided.</p>



SATURNA 5008 WALL MOUNT WITH CROSS GUARD

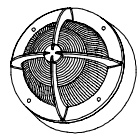


FAMILY
SATURNA BUILDING MOUNTS

SATURNA

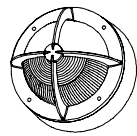
EXTERIOR

Wall Surface



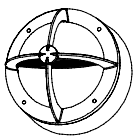
5008

Cross Guard



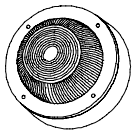
5008H

Hood Guard



5008C

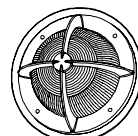
Cut Off Face



5008NG

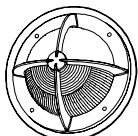
No Guard

Recessed



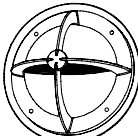
5009

Cross Guard



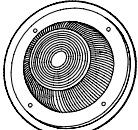
5009H

Hood Guard



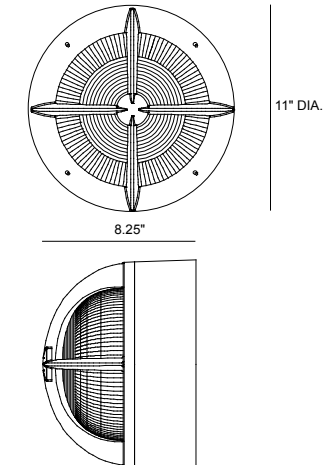
5009C

Cut Off Face



5009NG

No Guard



Saturna 5008 Wall Mount with Cross Guard

EXTERIOR

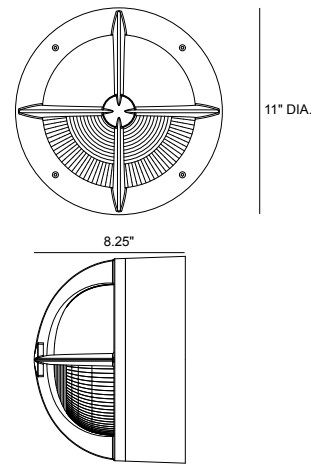
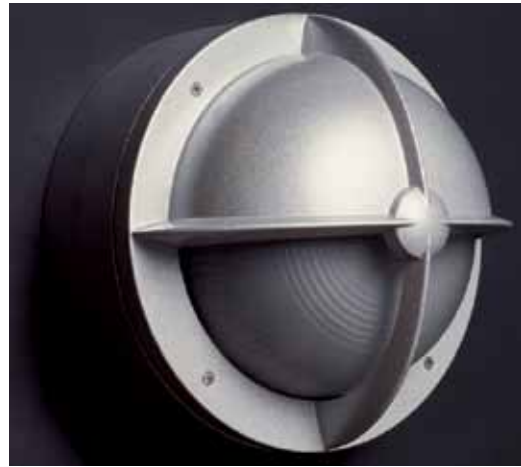
MODEL	LAMP	VOLT	OPTIONS	COLOUR
5008	100H <i>metal halide ed-17 medium</i>	120*	FS <i>fuse kit</i>	WT <i>white texture</i>
	70H <i>metal halide ed-17 medium</i>	208	EM <i>battery back up(cf only)</i>	BT <i>black texture</i>
	100S <i>high pressure sodium ed-17 medium</i>	240	AUX <i>auxiliary lighting control - quartz restrrike(hid only)</i>	SM <i>silver metallic</i>
	70S <i>high pressure sodium ed-17 medium</i>	277	OPC <i>polycarbonate diffuser max. 50w hid/42w cf</i>	AN <i>aluminum natural</i>
	242T <i>compact fluorescent ttt triple</i>	347	PC <i>photocell 120V, button-type</i>	BZ <i>bronze</i>
	232T <i>compact fluorescent 32w/26w ttt triple or 26w dtt quad</i>			GM <i>gunmetal</i>
	142T <i>compact fluorescent ttt triple</i>			WS <i>white satin</i>
	132T <i>compact fluorescent 32w/26w ttt triple or 26w dtt quad</i>			BM <i>black matte</i>
				RAL <i>specify no.</i>

*Standard configuration unless otherwise specified

SAMPLE CATALOG NUMBER: 5008 - 100H - 120 - WT

Using this catalog number would order 1 model 5008 wall mount luminaire with cross guard and a single 100 watt metal halide ballast wired to 120 volts, painted with white texture polyester powder coat. Lamps by others.

CONSTRUCTION	MOUNTING	OPTICAL	PROTECTION
<p>Materials Housing base / Cross guard: Die cast, heavy wall, marine grade aluminum. Lens gasket: Extruded EPDM, Fully gasketed around glassware and housing perimeter. Exposed fasteners: Stainless steel allen drive cap screws.</p> <p>Electrical Components Ballasts: HID - Core & coil, -20°F start or CF - Electronic, <10% THD, variable input 120 to 277 volts, 0°F start.</p>	<p>The Saturna 5008 is designed for wall mounting over a 4" recessed octagonal junction box (by others). To maintain wet location listing the housing should have a bead of sealant around the perimeter where the housing meets the wall. A continuous gasket is provided between housing back and wall surface. Unit may be mounted to ceiling surface but maximum wattage is 50w HID or 2 x 26w CF.</p>	<p>The sodalime glass diffuser incorporates inner prisms with a ceramic fired frost coating to softly diffuse the lamp output. Glassware is North American made and is tempered to resist heat and promote toughness in high vandalism prone areas. A perimeter channel gasket of EPDM rubber seals glass between cross guard and housing.</p>	<p>The Saturna wall mount is CSA/UL listed for wet locations more than four feet from the ground. Units are fully gasketed and utilize aluminum castings and glass diffusers for increased weatherability and resistance to corrosion and UV radiation.</p>



Saturna 5008H Wall Mount with Hood Face

EXTERIOR

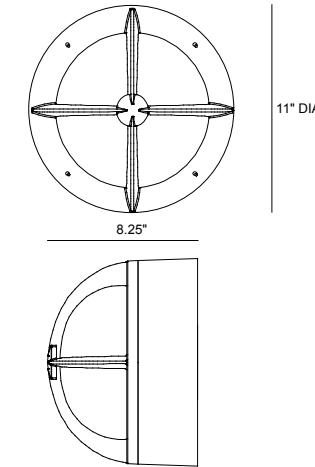
MODEL	LAMP	VOLT	OPTIONS	COLOUR
5008H	100H <i>metal halide</i> <small>ed-17 medium</small>	120*	FS <i>fuse kit</i>	WT <i>white texture</i>
	70H <i>metal halide</i>	208	EM <i>battery back up(cf only)</i>	BT <i>black texture</i>
	100S <i>high pressure sodium</i> <small>ed-17 medium</small>	240	AUX <i>auxiliary lighting control - quartz restrike(hid only)</i>	SM <i>silver metallic</i>
	70S <i>high pressure sodium</i> <small>ed-17 medium</small>	277	OPC <i>polycarbonate diffuser max. 50w hid/42w cf</i>	AN <i>aluminum natural</i>
	242T <i>compact fluorescent</i> <small>ed-17 medium</small>	347	PC <i>photocell</i>	BZ <i>bronze</i>
	232T <i>compact fluorescent</i> <small>32w/27w ttt triple or 26w dtt quad</small>			GM <i>gunmetal</i>
	142T <i>compact fluorescent</i> <small>ttt triple</small>			WS <i>white satin</i>
	132T <i>compact fluorescent</i> <small>32w/26w ttt triple or 26w dtt quad</small>			BM <i>black matte</i>
				RAL <i>specify no.</i>

*Standard configuration unless otherwise specified

SAMPLE CATALOG NUMBER: 5008H - 100H - 120 - WT

Using this catalog number would order 1 model 5008H wall mount luminaire with hood face and a single 100 watt metal halide ballast wired to 120 volts, painted with white texture polyester powder coat. Lamps by others.

CONSTRUCTION	MOUNTING	OPTICAL	PROTECTION
<p>Materials Housing base / Hood guard: Die cast, heavy wall, marine grade aluminum. Lens gasket: Extruded EPDM, Fully gasketed around glassware and housing perimeter. Exposed fasteners: Stainless steel allen drive cap screws.</p> <p>Electrical Components Ballasts: HID - Core & coil, -20°F start or CF - Electronic, <10% THD, variable input 120 to 277 volts, 0°F start.</p>	<p>The Saturna 5008H is designed for wall mounting over a 4" recessed octagonal junction box (by others). To maintain wet location listing the housing should have a bead of sealant around the perimeter where the housing meets the wall. A continuous gasket is provided between housing back and wall surface.</p>	<p>The sodalime glass diffuser incorporates inner prisms with a ceramic fired frost coating to softly diffuse the lamp output. Glassware is North American made and is tempered to resist heat and promote toughness in high vandalism prone areas. A perimeter channel gasket of EPDM rubber seals glass between hood guard and housing.</p>	<p>The Saturna wall mount is CSA/UL listed for wet locations more than four feet from the ground. Units are fully gasketed and utilize aluminum castings and glass diffusers for increased weatherability and resistance to corrosion and UV radiation.</p>



Saturna 5008C Wall Mount Cut Off Face

EXTERIOR

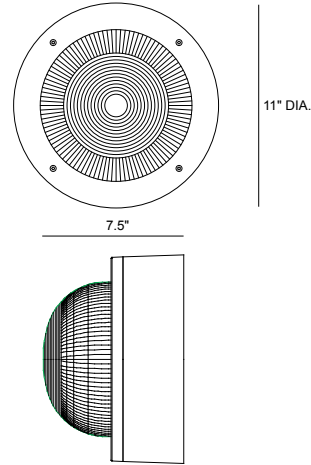
MODEL	LAMP	VOLT	OPTIONS	COLOUR
5008C	70H <i>metal halide</i> <small>ed-17 medium</small>	120*	FS <i>fuse kit</i>	WT <i>white texture</i>
	70S <i>high pressure sodium</i> <small>ed-17 medium</small>	208	PC <i>photocell</i>	BT <i>black texture</i>
	142T <i>compact fluorescent</i> <small>ttt triple</small>	240		SM <i>silver metallic</i>
	132T <i>compact fluorescent</i> <small>32w/26w ttt triple or 26w dtt quad</small>	277		AN <i>aluminum natural</i>
		347		BZ <i>bronze</i>
				GM <i>gunmetal</i>
				WS <i>white satin</i>
				BM <i>black matte</i>
				RAL <i>specify no.</i>

*Standard configuration unless otherwise specified

SAMPLE CATALOG NUMBER: 5008C - 70H - 120 - WT

Using this catalog number would order 1 model 5008C wall mount luminaire with cut-off face with a single 70 watt metal halide ballast wired to 120 volts, painted with white texture polyester powder coat. Lamps by others.

CONSTRUCTION	MOUNTING	OPTICAL	PROTECTION
<p>Materials Housing base / Guard: Die cast, heavy wall, marine grade aluminum. Lens gasket: Extruded EPDM, Fully gasketed around glassware and housing perimeter. Exposed fasteners: Stainless steel allen drive cap screws.</p> <p>Electrical Components Ballasts: HID - Core & coil, -20°F start or CF - Electronic, <10% THD, variable input 120 to 277 volts, 0°F start.</p>	<p>The Saturna 5008C is designed for wall mounting over a 4" recessed octagonal junction box (by others). To maintain wet location listing the housing should have a bead of sealant around the perimeter where the housing meets the wall. A continuous gasket is provided between housing back and wall surface.</p>	<p>Luminaire provides a cutoff lighting distribution. The lamp compartment is contained in the upper hemisphere of the hood guard. A gasketed, prismatic tempered glass lens seals the lamp compartment from contamination.</p>	<p>The Saturna wall mount is CSA/UL listed for wet locations more than four feet from the ground. Units are fully gasketed and utilize aluminum castings and glass diffusers for increased weatherability and resistance to corrosion and UV radiation.</p>



Saturna 5008NG Wall Mount without Guard

EXTERIOR

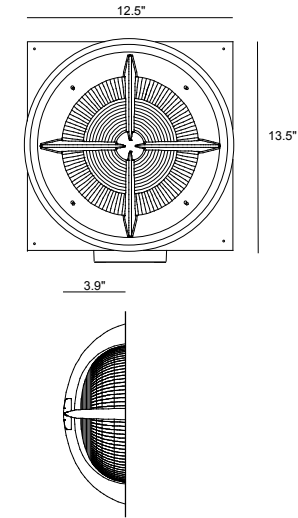
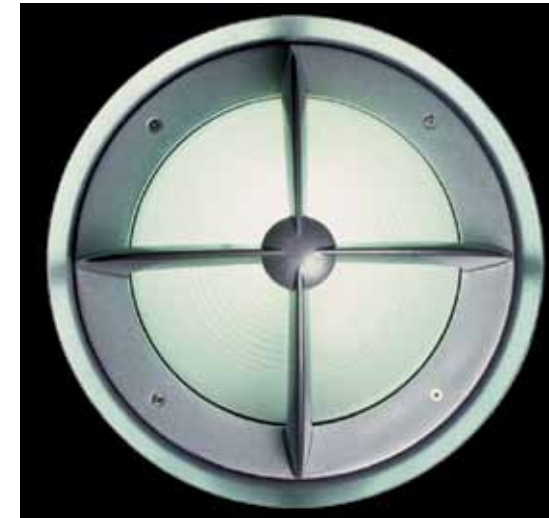
MODEL	LAMP	VOLT	OPTIONS	COLOUR
5008NG	100H <i>metal halide</i> <small>ed-17 medium</small>	120*	FS <i>fuse kit</i>	WT <i>white texture</i>
	70H <i>metal halide</i>	208	EM <i>battery back up(cf only)</i>	BT <i>black texture</i>
	100S <i>high pressure sodium</i> <small>ed-17 medium</small>	240	AUX <i>auxiliary lighting control - quartz restrike(hid only)</i>	SM <i>silver metallic</i>
	70S <i>high pressure sodium</i> <small>ed-17 medium</small>	277	OPC <i>polycarbonate diffuser max. 50w hid/42w cf</i>	AN <i>aluminum natural</i>
	242T <i>compact fluorescent</i> <small>ttt triple</small>	347	PC <i>photocell</i>	BZ <i>bronze</i>
	232T <i>compact fluorescent</i> <small>32w/26w ttt triple or 26w dtt quad</small>			GM <i>gunmetal</i>
	142T <i>compact fluorescent</i> <small>ttt triple</small>			WS <i>white satin</i>
	132T <i>compact fluorescent</i> <small>32w/26w ttt triple or 26w dtt quad</small>			BM <i>black matte</i>
				RAL <i>specify no.</i>

*Standard configuration unless otherwise specified

SAMPLE CATALOG NUMBER: 5008NG - 100H - 120 - WT

Using this catalog number would order 1 model 5008NG wall mount luminaire with no guard with a single 100 watt metal halide ballast wired to 120 volts, painted with white texture polyester powder coat. Lamps by others.

CONSTRUCTION	MOUNTING	OPTICAL	PROTECTION
<p>Materials Housing base / Lens trim: Die cast, heavy wall, marine grade aluminum. Lens gasket: Extruded EPDM, Fully gasketed around glassware and housing perimeter. Exposed fasteners: Stainless steel allen drive cap screws.</p> <p>Electrical Components Ballasts: HID - Core & coil, -20°F start or CF - Electronic, <10% THD, variable input 120 to 277 volts, 0°F start.</p>	<p>The Saturna 5008NG is designed for wall mounting over a 4" recessed octagonal junction box (by others). To maintain wet location listing the housing should have a bead of sealant around the perimeter where the housing meets the wall. A continuous gasket is provided between housing back and wall surface. Unit may be mounted to ceiling surface but maximum wattage is 50w HID or 2x 26w CF.</p>	<p>The sodalime glass diffuser incorporates inner prisms with a ceramic fired frost coating to softly diffuse the lamp output. Glassware is North American made and is tempered to resist heat and promote toughness in high vandalism prone areas. A perimeter channel gasket of EPDM rubber seals glass between hood trim and housing.</p>	<p>The Saturna wall mount is CSA/UL listed for wet locations more than four feet from the ground. Units are fully gasketed and utilize aluminum castings and glass diffusers for increased weatherability and resistance to corrosion and UV radiation.</p>



Saturna 5009 Recessed Wall with Cross Guard

EXTERIOR

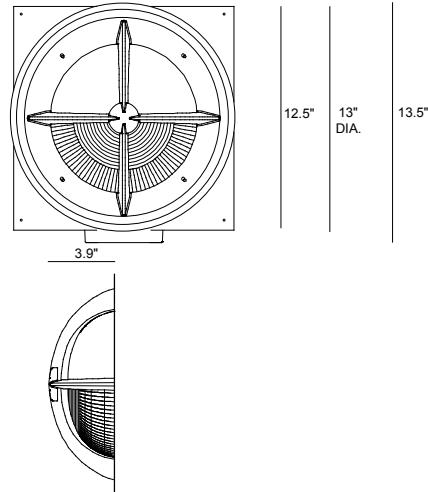
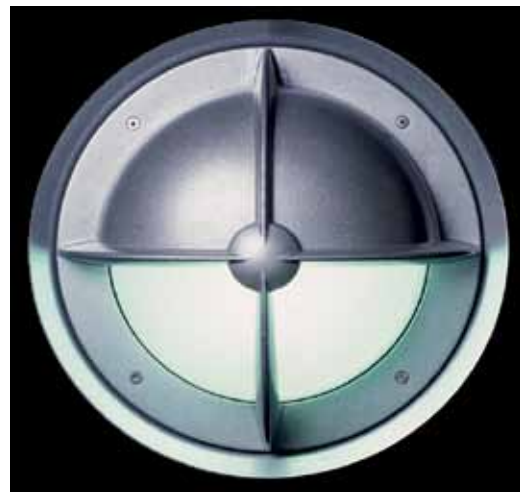
MODEL	LAMP	VOLT	OPTIONS	COLOUR
5009	100H <i>metal halide</i> <small>ed-17 medium</small>	120*	FS <i>fuse kit</i>	WT <i>white texture</i>
	70H <i>metal halide</i>	208	AUX <i>auxiliary lighting control - quartz restrike(hid only)</i>	BT <i>black texture</i>
	100S <i>high pressure sodium</i> <small>ed-17 medium</small>	240	OPC <i>polycarbonate diffuser max. 50w hid/42w cf</i>	SM <i>silver metallic</i>
	70S <i>high pressure sodium</i> <small>ed-17 medium</small>	277		AN <i>aluminum natural</i>
	242T <i>compact fluorescent</i> <small>ttt triple</small>	347		BZ <i>bronze</i>
	232T <i>compact fluorescent</i> <small>32w/26w ttt triple or 26w dtt quad</small>			GM <i>gunmetal</i>
				WS <i>white satin</i>
				BM <i>black matte</i>
				RAL <i>specify no.</i>

*Standard configuration unless otherwise specified

SAMPLE CATALOG NUMBER: 5009 - 100H - 120 - WT

Using this catalog number would order 1 model 5009 recessed wall luminaire with cross guard with a single 100 watt metal halide ballast wired to 120 volts, painted with white texture polyester powder coat. Lamps by others.

CONSTRUCTION	MOUNTING	OPTICAL	PROTECTION
<p>Materials Concrete pour housing: Polyester powder coated electro-zinc steel. Splay trim: Aluminum. Cross guard: Die cast, heavy wall, marine grade aluminum. Lens gasket: Extruded EPDM, Fully gasketed around glassware. Exposed fasteners: Stainless steel allen drive cap screws, captivated.</p> <p>Electrical Components Ballasts: HID - Core & coil, -20°F start or CF - Electronic, <10% THD, variable input 120 to 277 volts, 0°F start.</p>	<p>The Saturna 5009 is designed for concrete pour wall installations. (See installation instructions on www.rebellelighting.com for further details). Consult factory for concrete block, masonry or hollow wall constructions. Thru wiring approved for 12ga wire - 4 in / 4 out plus ground. Complies with ADA requirement for less than 4 inch protrusion.</p>	<p>The sodalime glass diffuser incorporates inner prisms with a ceramic fired frost coating to softly diffuse the lamp output. The substantial glassware is North American made and is tempered to resist heat and promote toughness in high vandalism prone areas. A perimeter channel gasket of EPDM rubber seals glass between cross guard and housing.</p>	<p>The Saturna recessed wall is CSA/UL listed for wet locations less than four feet from the ground - ADA Compliant. Units are fully gasketed and utilize aluminum castings and glass diffusers for increased weatherability and resistance to corrosion and UV radiation.</p>



Saturna 5009H Recessed Wall with Hood Guard

EXTERIOR

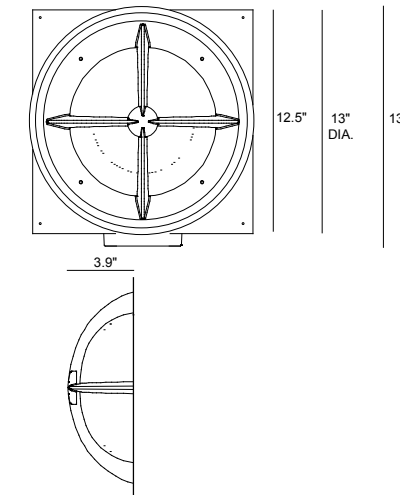
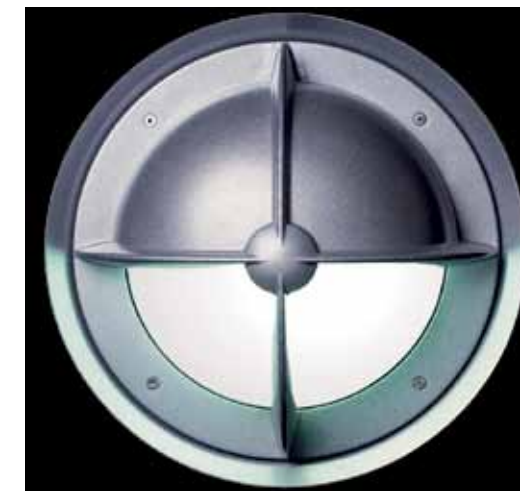
MODEL	LAMP	VOLT	OPTIONS	COLOUR
5009H	100H <i>metal halide ed-17 medium</i>	120*	FS <i>fuse kit</i>	WT <i>white texture</i>
	70H <i>metal halide ed-17 medium</i>	208	AUX <i>auxiliary lighting control - quartz restrike(hid only)</i>	BT <i>black texture</i>
	100S <i>high pressure sodium ed-17 medium</i>	240	OPC <i>polycarbonate diffuser max. 50w hid/42w cf</i>	SM <i>silver metallic</i>
	70S <i>high pressure sodium ed-17 medium</i>	277		AN <i>aluminum natural</i>
	242T <i>compact fluorescent ed-17 medium</i>	347		BZ <i>bronze</i>
	232T <i>compact fluorescent ttt triple 32w/26w ttt triple or dtt 26w quad</i>			GM <i>gunmetal</i>
				WS <i>white satin</i>
				BM <i>black matte</i>
				RAL <i>specify no.</i>

*Standard configuration unless otherwise specified

SAMPLE CATALOG NUMBER: 5009H - 100H - 120 - WT

Using this catalog number would order 1 model 5009H recessed wall luminaire with hood guard with a single 100 watt metal halide ballast wired to 120 volts, painted with white texture polyester powder coat. Lamps by others.

CONSTRUCTION	MOUNTING	OPTICAL	PROTECTION
<p>Materials Concrete pour housing: Polyester powder coated electro-zinc steel. Splay trim: Aluminum. Hood guard: Die cast, heavy wall, marine grade aluminum. Lens gasket: Extruded EPDM, Fully gasketed around glassware. Exposed fasteners: Stainless steel allen drive cap screws, captivated.</p> <p>Electrical Components Ballasts: HID - Core & coil, -20°F start or CF - Electronic, <10% THD, variable input 120 to 277 volts, 0°F start.</p>	<p>The Saturna 5009H is designed for concrete pour wall installations. (See installation instructions on www.rebellelighting.com for further details). Consult factory for concrete block, masonry or hollow wall constructions. Thru wiring approved for 12ga wire - 4 in / 4 out plus ground. Complies with ADA requirement for less than 4 inch protrusion.</p>	<p>The sodalime glass diffuser incorporates inner prisms with a ceramic fired frost coating to softly diffuse the lamp output. The substantial glassware is North American made and is tempered to resist heat and promote toughness in high vandalism prone areas. A perimeter channel gasket of EPDM rubber seals glass between hood guard and housing.</p>	<p>The Saturna recessed wall is CSA/UL listed for wet locations less than four feet from the ground - ADA Compliant. Units are fully gasketed and utilize aluminum castings and glass diffusers for increased weatherability and resistance to corrosion and UV radiation.</p>



Saturna 5009C Recessed Wall Cut Off Face

EXTERIOR

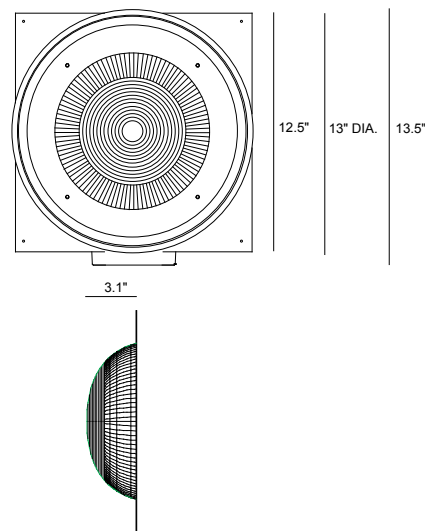
MODEL	LAMP	VOLT	OPTIONS	COLOUR
5009C	70H <i>metal halide ed-17 medium</i>	120*	FS <i>fuse kit</i>	WT <i>white texture</i>
	70S <i>high pressure sodium ed-17 medium</i>	208	OPC <i>polycarbonate diffuser max. 50w hid/42w cf</i>	BT <i>black texture</i>
	142T <i>compact fluorescent ed-17 medium</i>	240		SM <i>silver metallic</i>
	132T <i>compact fluorescent ttt triple 32w/26w ttt triple or dtt 26w quad</i>	277		AN <i>aluminum natural</i>
		347		BZ <i>bronze</i>
				GM <i>gunmetal</i>
				WS <i>white satin</i>
				BM <i>black matte</i>
				RAL <i>specify no.</i>

*Standard configuration unless otherwise specified

SAMPLE CATALOG NUMBER: 5009C - 70H - 120 - WT

Using this catalog number would order 1 model 5009C recessed wall cutoff face luminaire with cutoff guard with a single 70 watt metal halide ballast wired to 120 volts, painted with white texture polyester powder coat. Lamps by others.

CONSTRUCTION	MOUNTING	OPTICAL	PROTECTION
<p>Materials Concrete pour housing: Polyester powder coated electro-zinc steel. Splay trim: Aluminum. Frame: Die cast, heavy wall, marine grade aluminum. Lens gasket: Extruded EPDM, Fully gasketed around glassware. Exposed fasteners: Stainless steel allen drive cap screws, captivated.</p> <p>Electrical Components Ballasts: HID - Core & coil, -20°F start or CF - Electronic, <10% THD, variable input 120 to 277 volts, 0°F start.</p>	<p>The Saturna 5009C is designed for concrete pour wall installations. (See installation instructions on www.rebellelighting.com for further details). Consult factory for concrete block, masonry or hollow wall constructions. Thru wiring approved for 12ga wire - 4 in / 4 out plus ground. Complies with ADA requirement for less than 4 inch protrusion.</p>	<p>Luminaire provides a cut-off lighting distribution. The lamp compartment is contained in the upper hemisphere of the hood guard. A gasketed, prismatic tempered glass lens seals the lamp compartment from contamination.</p>	<p>The Saturna recessed wall is CSA/UL listed for wet locations less than four feet from the ground - ADA Compliant. Units are fully gasketed and utilize aluminum castings and glass diffusers for increased weatherability and resistance to corrosion and UV radiation.</p>



Saturna 5009NG Recessed Wall with No Guard

EXTERIOR

MODEL	LAMP	VOLT	OPTIONS	COLOUR
5009NG	100H <i>metal halide</i> <small>ed-17 medium</small>	120*	FS <i>fuse kit</i>	WT <i>white texture</i>
	70H <i>metal halide</i> <small>ed-17 medium</small>	208	AUX <i>auxiliary lighting control - quartz restrike(hid only)</i>	BT <i>black texture</i>
	100S <i>high pressure sodium</i> <small>ed-17 medium</small>	240	OPC <i>polycarbonate diffuser max. 50w hid/42w cf</i>	SM <i>silver metallic</i>
	70S <i>high pressure sodium</i> <small>ed-17 medium</small>	277		AN <i>aluminum natural</i>
	242T <i>compact fluorescent</i> <small>ttt triple</small>	347		BZ <i>bronze</i>
	232T <i>compact fluorescent</i> <small>32w/26w ttt triple or dtt 26w quad</small>			GM <i>gunmetal</i>
				WS <i>white satin</i>
				BM <i>black matte</i>
				RAL <i>specify no.</i>

*Standard configuration unless otherwise specified

SAMPLE CATALOG NUMBER: 5009NG - 100H - 120 - WT

Using this catalog number would order 1 model 5009NG recessed wall luminaire with no guard with a single 100 watt metal halide ballast wired to 120 volts, painted with white texture polyester powder coat. Lamps by others.

CONSTRUCTION

Materials
Concrete pour housing: Polyester powder coated electro-zinc steel. Splay trim: Aluminum. Lens trim: Die cast, heavy wall, marine grade aluminum. Lens gasket: Extruded EPDM, Fully gasketed around glassware. Exposed fasteners: Stainless steel allen drive cap screws, captivated.

Electrical Components
Ballasts: HID - Core & coil, -20°F start or CF - Electronic, <10% THD, variable input 120 to 277 volts, 0°F start.

MOUNTING

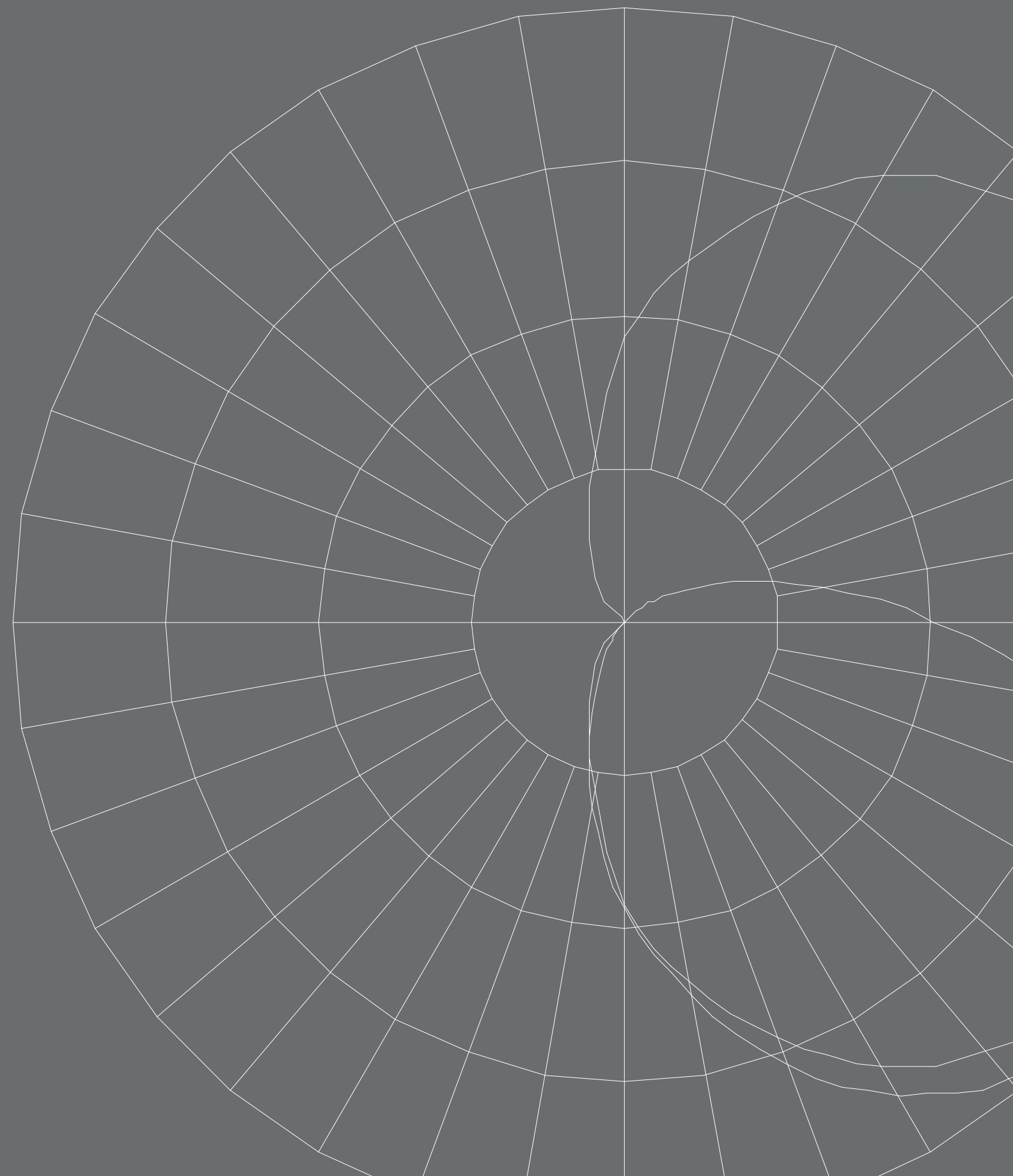
The Saturna 5009NG is designed for concrete pour wall installations. (See installation instructions on www.rebellelighting.com for further details). Consult factory for concrete block, masonry or hollow wall constructions. Thru wiring approved for 12ga wire - 4 in / 4 out plus ground. Complies with ADA requirement for less than 4 inch protrusion.

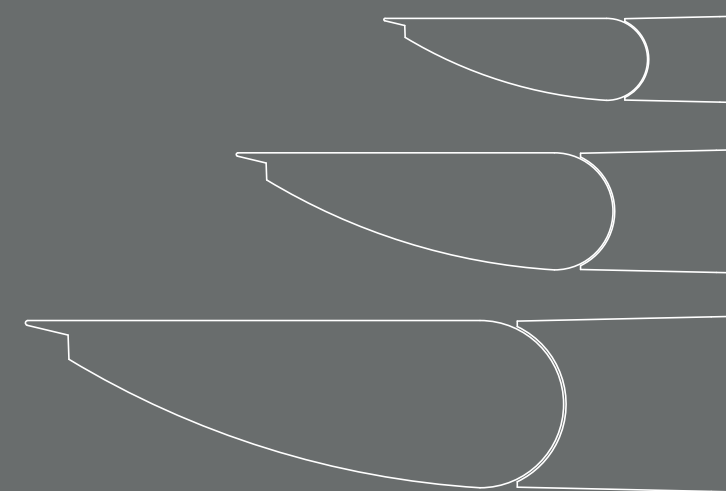
OPTICAL

The sodalime glass diffuser incorporates inner prisms with a ceramic fired frost coating to softly diffuse the lamp output. Glassware is North American made and is tempered to resist heat and promote toughness in high vandalism prone areas. A perimeter channel gasket of EPDM rubber seals glass between trim and housing.

PROTECTION

The Saturna recessed wall is CSA/UL listed for wet locations less than four feet from the ground - ADA Compliant. Units are fully gasketed and utilize aluminum castings and glass diffusers for increased weatherability and resistance to corrosion and UV radiation.





STREAMLINE



STREAMLINE



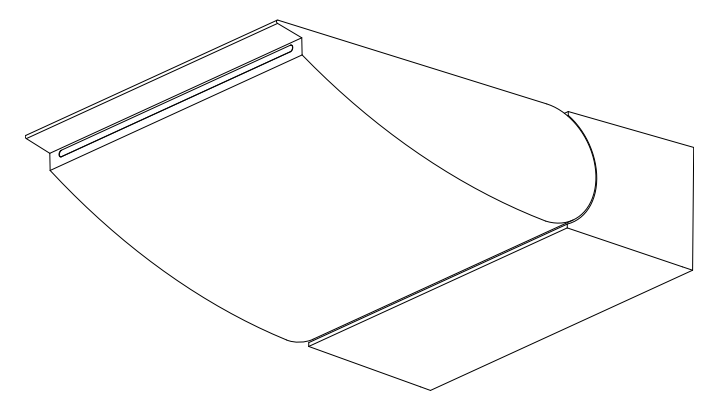
REBELLE
ARCHITECTURAL
LIGHTING

MIDI INDIRECT CEILING WASH6001 1
MINI INDIRECT CEILING WASH6000 2
MINI VERTICAL SURFACE WASH6000P 3



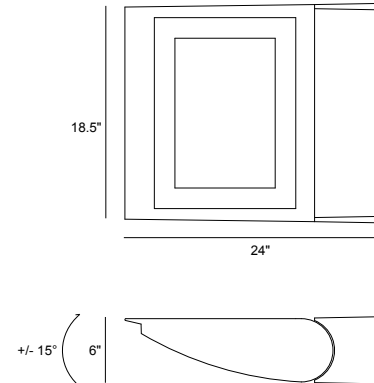


STREAMLINE INDIRECT 6008 CEILING WASH



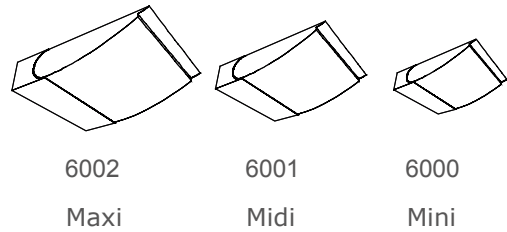
FAMILY
STREAMLINE INDIRECT

**STREAMLINE
INDIRECT**

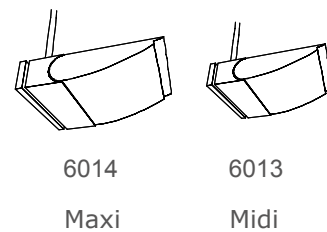


INTERIOR

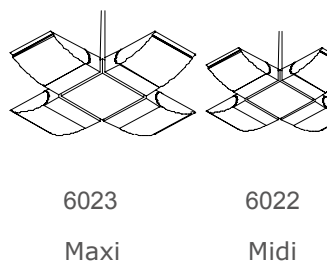
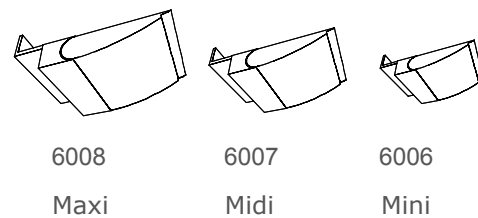
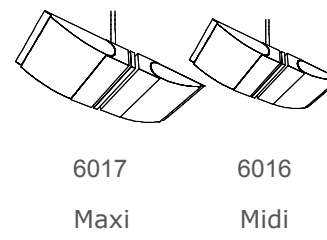
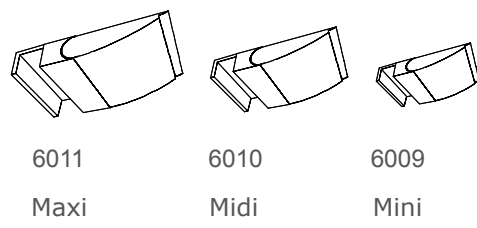
Wall Mount



Pendant



Wall Mount - Arm Extension



Streamline 6002 Maxi Indirect Ceiling Wash

INTERIOR

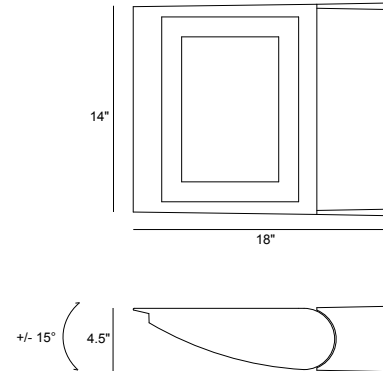
MODEL	LAMP	VOLT	OPTICS	OPTIONS	COLOUR
6002	320H [ⓔ] metal halide t15 mogul	120*	LR* light reveal	WL wet location (must also select NLR)	WT white texture
	250H [ⓔ] metal halide t15 mogul	208	NLR no light reveal	CV cut-off visor for downward tilt	BT black texture
	200H [ⓔ] metal halide t15 mogul	240			SM silver metallic
		277			AN aluminum natural
		347			BZ bronze
					GM gunmetal
					WS white satin
					BM black matte
					RAL specify no.

*Standard configuration unless otherwise specified [ⓔ] EISA Compliant

SAMPLE CATALOG NUMBER: 6002 - 320H - 120 - LR - WT

Using this catalog number would order 1 model 6002 maxi indirect ceiling wash luminaire with a single 320 watt metal halide ballast wired to 120 volts with a light reveal, painted white texture polyester powder coat. Lamps by others.

CONSTRUCTION	MOUNTING	OPTICAL	PROTECTION
<p>Materials Adjustable lamp housing: Cast aluminum. Ballast enclosure: Cast aluminum with top cover plate. Lens: Clear, tempered glass in captive cast aluminum gasketed frame. Asymmetric reflector system: Precision, die formed specular embossed aluminum.</p> <p>Electrical Components Ballast: HID Magnetic core & coil, -20°F start.</p>	<p>The 6002 series is designed for wall mounting over a recessed j-box. Wall must have sufficient strength to support luminaire. The mounting plate is secured to wall and the luminaire is hooked on to the plate and locked in place with captive set screws.</p>	<p>The optical design of the 6002 series is optimized for shallow ceiling wash distribution. The head can be articulated up and down 15 degrees to either transform the upright to a forward throw distribution for higher ceilings or downward to spread the wash effect farther into the room. The reflector system is developed for maximum efficiency using specular embossed aluminum reflector sheet. The lamp is positioned to cut off wall side glare and maximize room side output.</p>	<p>The 6002 is normally provided for indoor dry or damp locations to UL and CSA standards but, if ordered, can be made suitable for wet locations to UL and CSA standards.</p> <p>All units have a protective tempered glass shield to protect the lamp compartment. The wet location units are totally sealed for wet location usage.</p>



Streamline 6001 Midi Indirect Ceiling Wash

INTERIOR

MODEL	LAMP	VOLT	OPTICS	OPTIONS	COLOUR
6001	150H [Ⓢ] <i>metal halide</i> <small>16 g-12</small>	120*	LR* <i>light reveal</i>	WL <i>wet location (must select NLR)</i>	WT <i>white texture</i>
	70H <i>metal halide</i> <small>16 g-12</small>	208	NLR <i>no light reveal</i>	CV <i>cut-off visor for downward tilt</i>	BT <i>black texture</i>
	39H <i>metal halide</i> <small>16 g-12</small>	240			SM <i>silver metallic</i>
		277			AN <i>aluminum natural</i>
		347			BZ <i>bronze</i>
					GM <i>gunmetal</i>
					WS <i>white satin</i>
					BM <i>black matte</i>
					RAL <i>specify no.</i>

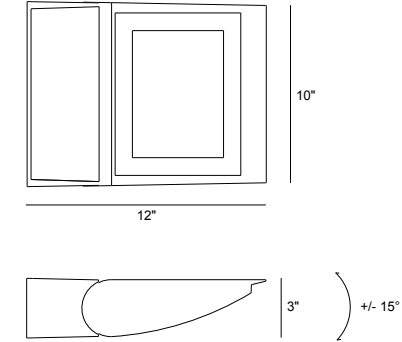
*Standard configuration unless otherwise specified

Ⓢ EISA Compliant

SAMPLE CATALOG NUMBER: 6001 - 150H - 120 - LR - WT

Using this catalog number would order 1 model 6001 midi indirect ceiling wash luminaire with a single 150 watt metal halide ballast wired to 120 volts with a light reveal, painted white texture polyester powder coat. Lamps by others.

CONSTRUCTION	MOUNTING	OPTICAL	PROTECTION
<p>Materials Adjustable lamp housing: Cast aluminum. Ballast enclosure: Cast aluminum with top cover plate. Lens: Clear, tempered glass in cast aluminum gasketed frame. Asymmetric reflector system: Precision, die formed specular embossed aluminum.</p> <p>Electrical Components Ballast: HID 120 - 277V Electronic, -20°F start. HID 347V Magnetic core & coil, -20°F start.</p>	<p>The 6001 series is designed for wall mounting over a recessed j-box. Wall must have sufficient strength to support luminaire. The mounting plate is secured to wall and the luminaire is hooked on to the plate and locked in place with set screws.</p>	<p>The optical design of the 6001 series is optimized for shallow ceiling wash distribution. The head can be articulated up and down 15 degrees to either transform the upright to a forward throw distribution for higher ceilings or downward to spread the wash effect farther into the room. The reflector system is developed for maximum efficiency using specular embossed aluminum reflector sheet. The lamp is positioned to cut off wall side glare and maximize room side output.</p>	<p>The 6001 is normally provided for indoor dry or damp locations to UL and CSA standards but, if ordered can be made suitable for wet locations to UL and CSA standards.</p> <p>All units have a protective tempered glass shield to protect the lamp compartment. The wet location units are totally sealed for wet location usage.</p>



Streamline 6000 Mini Indirect Ceiling Wash

INTERIOR

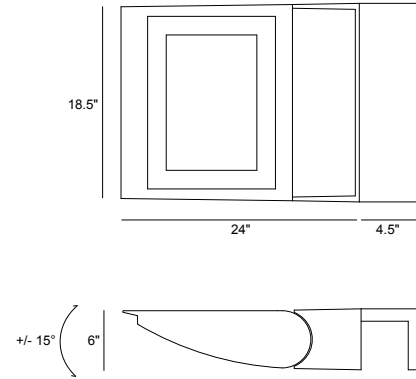
MODEL	LAMP	VOLT	OPTICS	OPTIONS	COLOUR
6000	39H <i>metal halide</i> <small>14 g8.5</small>	120*	LR* <i>light reveal</i>	WL <i>wet location (must select NLR - not available in 300I)</i>	WT <i>white texture</i>
	20H <i>metal halide</i> <small>14 g8.5</small>	208	NLR <i>no light reveal</i>		BT <i>black texture</i>
	300I <i>halogen</i> <small>14 g8.5</small>	240			SM <i>silver metallic</i>
	150I <i>halogen</i> <small>14 r7s (3 1-8")</small>	277			AN <i>aluminum natural</i>
	226Q <i>compact fluorescent</i> <small>dit 26w quad</small>	347			BZ <i>bronze</i>
	126Q <i>compact fluorescent</i> <small>dit 26w quad</small>				GM <i>gunmetal</i>
					WS <i>white satin</i>
					BM <i>black matte</i>
					RAL <i>specify no.</i>

*Standard configuration unless otherwise specified

SAMPLE CATALOG NUMBER: 6000 - 39H - 120 - LR - WT

Using this catalog number would order 1 model 6000 mini indirect ceiling wash luminaire with a single 39 watt metal halide ballast wired to 120 volts with a light reveal, painted white texture polyester powder coat. Lamps by others.

CONSTRUCTION	MOUNTING	OPTICAL	PROTECTION
<p>Materials Adjustable lamp housing: Cast aluminum. Ballast enclosure: Cast aluminum with top cover plate. Lens: Industrex, tempered glass in captive frame (enclosed units only - CF, MH, 150I). Asymmetric reflector system: Precision, die formed specular embossed aluminum.</p> <p>Electrical Components Ballast: HID - Electronic, 120V, 277V optional, -20°F start. Halogen - 120V only. CF - Electronic, <10% THD, variable input 120 to 277 volts, 0°F start.</p>	<p>The 6000 series is designed for wall mounting over a recessed FS junction box which is located parallel to the luminaire back on the center line. The luminaire mounting plate is secured to the mounting surface outside of the FS box location and the luminaire is hooked on the plate and secured with set screws on the bottom. The supply wires are connected to the luminaire leads and contained in the FS box cavity.</p>	<p>The optical design of the 6000 series is optimized for shallow ceiling wash distribution. The head can be articulated up and down 15 degrees to either transform the upright to a forward throw distribution for higher ceilings or downward to spread the wash effect farther into the room. The reflector system is developed for maximum efficiency using specular embossed aluminum reflector sheet. The lamp is positioned to cut off wall side glare and maximize room side output.</p>	<p>The 6000 is normally provided for indoor dry or damp locations to UL and CSA standards but, if ordered, can be made suitable for wet locations to UL and CSA standards. The 300 watt T4 R7S unit is damp location listed only.</p> <p>All units have a protective tempered glass cover and all units but the 300 watt version are completely gasketed to exclude any contaminants.</p>



Streamline 6011 Maxi Indirect Ceiling Wash

INTERIOR

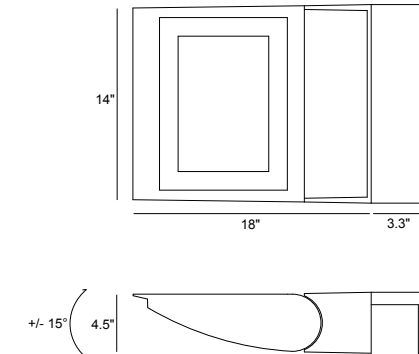
MODEL	LAMP	VOLT	OPTICS	OPTIONS	COLOUR
6011	320H [Ⓢ] <i>metal halide</i> <small>t15 mogul</small>	120*	LR* <i>light reveal</i>	WL <i>wet location (must also select NLR)</i>	WT <i>white texture</i>
	250H [Ⓢ] <i>metal halide</i> <small>t15 mogul</small>	208	NLR <i>no light reveal</i>	CV <i>cut-off visor for downward tilt</i>	BT <i>black texture</i>
	200H [Ⓢ] <i>metal halide</i> <small>t15 mogul</small>	240			SM <i>silver metallic</i>
		277			AN <i>aluminum natural</i>
		347			BZ <i>bronze</i>
					GM <i>gunmetal</i>
					WS <i>white satin</i>
					BM <i>black matte</i>
					RAL <i>specify no.</i>

*Standard configuration unless otherwise specified [Ⓢ] EISA Compliant

SAMPLE CATALOG NUMBER: 6011 - 320H - 120 - LR - WT

Using this catalog number would order 1 model 6011 maxi indirect ceiling wash luminaire with a single 320 watt metal halide ballast wired to 120 volts with a light reveal, painted white texture polyester powder coat. Lamps by others.

CONSTRUCTION	MOUNTING	OPTICAL	PROTECTION
<p>Materials Adjustable lamp housing: Cast aluminum. Ballast enclosure: Cast aluminum with top cover plate. Lens: Clear, tempered glass in captive cast aluminum gasketed frame. Asymmetric reflector system: Precision, die formed specular embossed aluminum. Cantilever support arm: Cast aluminum.</p> <p>Electrical Components Ballast: HID Magnetic core & coil, -20°F start.</p>	<p>The 6011 series is designed for wall mounting over a recessed j-box. Wall must have sufficient strength to support luminaire. The mounting plate is secured to wall and the luminaire is hooked on to the plate and locked in place with set screws.</p>	<p>The optical design of the 6011 series is optimized for shallow ceiling wash distribution. The head can be articulated up and down 15 degrees to either transform the uplight to a forward throw distribution for higher ceilings or downward to spread the wash effect farther into the room. The reflector system is developed for maximum efficiency using specular embossed aluminum reflector sheet. The lamp is positioned to cut off wall side glare and maximize room side output.</p>	<p>The 6011 is normally provided for indoor dry or damp locations to UL and CSA standards but, if ordered, can be made suitable for wet locations to UL and CSA standards.</p> <p>All units have a protective tempered glass shield to protect the lamp compartment. The wet location units are totally sealed for wet location usage.</p>



Streamline 6010 Midi Indirect Ceiling Wash

INTERIOR

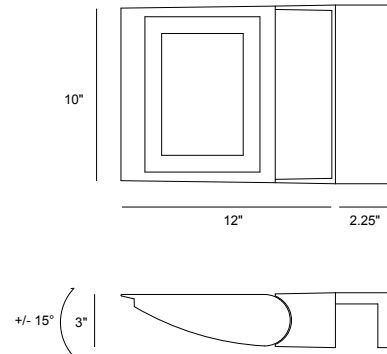
MODEL	LAMP	VOLT	OPTICS	OPTIONS	COLOUR
6010	150H [Ⓢ] <i>metal halide</i> <small>t6 g-12</small>	120*	LR* <i>light reveal</i>	WL <i>wet location (must also select NLR)</i>	WT <i>white texture</i>
	70H <i>metal halide</i> <small>t6 g-12</small>	208	NLR <i>no light reveal</i>	CV <i>cut-off visor for downward tilt</i>	BT <i>black texture</i>
	39H <i>metal halide</i> <small>t6 g-12</small>	240			SM <i>silver metallic</i>
		277			AN <i>aluminum natural</i>
		347			BZ <i>bronze</i>
					GM <i>gunmetal</i>
					WS <i>white satin</i>
					BM <i>black matte</i>
					RAL <i>specify no.</i>

*Standard configuration unless otherwise specified [Ⓢ] EISA Compliant

SAMPLE CATALOG NUMBER: 6010 - 150H - 120 - LR - WT

Using this catalog number would order 1 model 6010 midi indirect ceiling wash luminaire with a single 150 watt metal halide ballast wired to 120 volts with a light reveal, painted white texture polyester powder coat. Lamps by others.

CONSTRUCTION	MOUNTING	OPTICAL	PROTECTION
<p>Materials Adjustable lamp housing: Cast aluminum. Ballast enclosure: Cast aluminum with top cover plate. Lens: Clear, tempered glass in cast aluminum gasketed frame. Asymmetric reflector system: Precision, die formed specular embossed aluminum. Cantilever support arm: Cast aluminum.</p> <p>Electrical Components Ballast: HID 120 - 277V Electronic, -20°F start. HID 347V Magnetic core & coil, -20°F start.</p>	<p>The 6010 series is designed for wall mounting over a recessed j-box. Wall must have sufficient strength to support luminaire. The mounting plate is secured to wall and the luminaire is hooked on to the plate and locked in place with set screws.</p>	<p>The optical design of the 6010 series is optimized for shallow ceiling wash distribution. The head can be articulated up and down 15 degrees to either transform the uplight to a forward throw distribution for higher ceilings or downward to spread the wash effect farther into the room. The reflector system is developed for maximum efficiency using specular embossed aluminum reflector sheet. The lamp is positioned to cut off wall side glare and maximize room side output.</p>	<p>The 6010 is normally provided for indoor dry or damp locations to UL and CSA standards but, if ordered, can be made suitable for wet locations to UL and CSA standards.</p> <p>All units have a protective tempered glass shield to protect the lamp compartment. The wet location units are totally sealed for wet location usage.</p>



Streamline 6009 Mini Indirect Ceiling Wash

INTERIOR

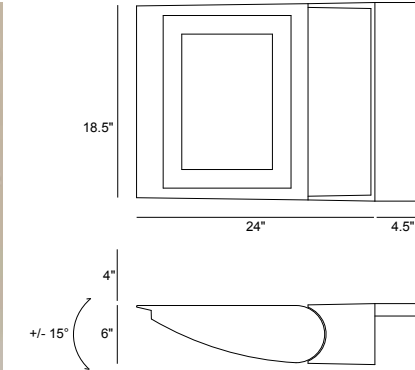
MODEL	LAMP	VOLT	OPTICS	OPTIONS	COLOUR
6009	39H <i>metal halide</i> <small>t4 g8.5</small>	120*	LR* <i>light reveal</i>	WL <i>wet location (must also select NLR - not available for 300I)</i>	WT <i>white texture</i>
	20H <i>metal halide</i> <small>t4 g8.5</small>	208	NLR <i>no light reveal</i>		BT <i>black texture</i>
	300I <i>halogen</i> <small>t4 r7s (3 1-8")</small>	240			SM <i>silver metallic</i>
	150I <i>halogen</i> <small>t3 r7s (3 1/8")</small>	277			AN <i>aluminum natural</i>
	226Q <i>compact fluorescent</i> <small>dtt 26w quad</small>	347			BZ <i>bronze</i>
	126Q <i>compact fluorescent</i> <small>dtt 26w quad</small>				GM <i>gunmetal</i>
					WS <i>white satin</i>
					BM <i>black matte</i>
					RAL <i>specify no.</i>

*Standard configuration unless otherwise specified

SAMPLE CATALOG NUMBER: 6009 - 39H - 120 - LR - WT

Using this catalog number would order 1 model 6009 mini indirect ceiling wash luminaire with a single 39 watt metal halide ballast wired to 120 volts with a light reveal, painted white texture polyester powder coat. Lamps by others.

CONSTRUCTION	MOUNTING	OPTICAL	PROTECTION
<p>Materials Adjustable lamp housing: Cast aluminum. Ballast enclosure: Cast aluminum with top cover plate. Lens: Industrex, tempered glass in captive frame (enclosed units only - CF, MH, 150I). Asymmetric reflector system: Precision, die formed specular embossed aluminum. Cantilevered support arm: Cast aluminum.</p> <p>Electrical Components Ballast: HID - Electronic, 120V, 277V optional, -20°F start. Halogen - 120V only. CF - Electronic, <10% THD, variable input 120 to 277 volts, 0°F start.</p>	<p>The 6009 series is designed for wall mounting over a recessed FS junction box which is located parallel to the luminaire back on the center line. The luminaire mounting plate is secured to the mounting surface outside of the FS box location and the luminaire is hooked on the plate and secured with set screws on the bottom. The supply wires are connected to the luminaire leads and contained in the FS box cavity.</p>	<p>The optical design of the 6009 series is optimized for shallow ceiling wash distribution. The head can be articulated up and down 15 degrees to either transform the upright to a forward throw distribution for higher ceilings or downward to spread the wash effect farther into the room. The reflector system is developed for maximum efficiency using high purity anodized aluminum embossed reflector sheet. The lamp is positioned to cut off wall side glare and maximize room side output.</p>	<p>The 6009 is normally provided for indoor dry or damp locations to UL and CSA standards but, if ordered, can be made suitable for wet locations to UL and CSA standards. The 300 watt T4 R7S unit is damp location listed only.</p> <p>All units have a protective tempered glass cover and all units but the 300 watt version are completely gasketed to exclude any contaminants.</p>



Streamline 6008 Maxi Indirect Ceiling Wash

INTERIOR

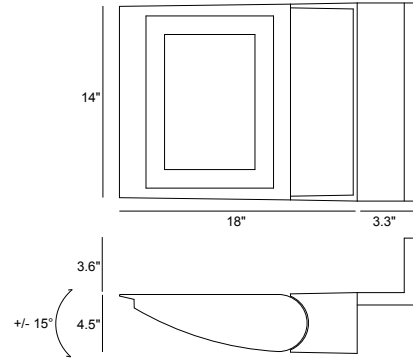
MODEL	LAMP	VOLT	OPTICS	OPTIONS	COLOUR
6008	320HⓈ <i>metal halide</i> <small>t15 mogul</small>	120*	LR* <i>light reveal</i>	WL <i>wet location (must also select NLR)</i>	WT <i>white texture</i>
	250HⓈ <i>metal halide</i> <small>t15 mogul</small>	208	NLR <i>no light reveal</i>	CV <i>cut-off visor for downward tilt</i>	BT <i>black texture</i>
	200HⓈ <i>metal halide</i> <small>t15 mogul</small>	240			SM <i>silver metallic</i>
		277			AN <i>aluminum natural</i>
		347			BZ <i>bronze</i>
					GM <i>gunmetal</i>
					WS <i>white satin</i>
					BM <i>black matte</i>
					RAL <i>specify no.</i>

*Standard configuration unless otherwise specified Ⓢ EISA Compliant

SAMPLE CATALOG NUMBER: 6008 - 320H - 120 - LR - WT

Using this catalog number would order 1 model 6008 maxi indirect ceiling wash luminaire with a single 320 watt metal halide ballast wired to 120 volts with a light reveal, painted white texture polyester powder coat. Lamps by others.

CONSTRUCTION	MOUNTING	OPTICAL	PROTECTION
<p>Materials Adjustable lamp housing: Cast aluminum. Ballast enclosure: Cast aluminum with top cover plate. Lens: Clear, tempered glass in captive cast aluminum gasketed frame. Asymmetric reflector system: Precision, die formed specular embossed aluminum. Cantilevered support arm: Cast aluminum.</p> <p>Electrical Components Ballast: HID Magnetic core & coil, -20°F start.</p>	<p>The 6008 series is designed for wall mounting over a recessed j-box. Wall must have sufficient strength to support luminaire. The mounting plate is secured to wall and the luminaire is hooked on to the plate and locked in place with set screws.</p>	<p>The optical design of the 6008 series is optimized for shallow ceiling wash distribution. The head can be articulated up and down 15 degrees to either transform the upright to a forward throw distribution for higher ceilings or downward to spread the wash effect farther into the room. The reflector system is developed for maximum efficiency using specular embossed aluminum reflector sheet. The lamp is positioned to cut off wall side glare and maximize room side output.</p>	<p>The 6008 is normally provided for indoor dry or damp locations to UL and CSA standards but, if ordered, can be made suitable for wet locations to UL and CSA standards.</p> <p>All units have a protective tempered glass shield to protect the lamp compartment. The wet location units are totally sealed for wet location usage.</p>



Streamline 6007 Midi Indirect Ceiling Wash

INTERIOR

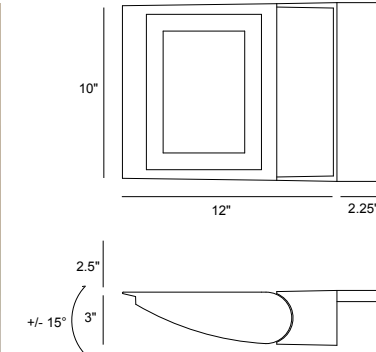
MODEL	LAMP	VOLT	OPTICS	OPTIONS	COLOUR
6007	150H [Ⓢ] <i>metal halide</i> <small>16 g-12</small>	120*	LR* <i>light reveal</i>	WL <i>wet location (must also select NLR)</i>	WT <i>white texture</i>
	70H <i>metal halide</i> <small>16 g-12</small>	208	NLR <i>no light reveal</i>	CV <i>cut-off visor for downward tilt</i>	BT <i>black texture</i>
	39H <i>metal halide</i> <small>16 g-12</small>	240			SM <i>silver metallic</i>
		277			AN <i>aluminum natural</i>
		347			BZ <i>bronze</i>
					GM <i>gunmetal</i>
					WS <i>white satin</i>
					BM <i>black matte</i>
					RAL <i>specify no.</i>

*Standard configuration unless otherwise specified [Ⓢ] EISA Compliant

SAMPLE CATALOG NUMBER: 6007 - 150H - 120 - LR - WT

Using this catalog number would order 1 model 6007 midi indirect ceiling wash luminaire with a single 150 watt metal halide ballast wired to 120 volts with a light reveal, painted white texture polyester powder coat. Lamps by others.

CONSTRUCTION	MOUNTING	OPTICAL	PROTECTION
<p>Materials Adjustable lamp housing: Cast aluminum. Ballast enclosure: Cast aluminum with top cover plate. Lens: Clear, tempered glass in cast aluminum gasketed frame. Asymmetric reflector system: Precision, die formed specular embossed aluminum. Cantilever support arm: Cast aluminum.</p> <p>Electrical Components Ballast: HID 120 - 277V Electronic, -20°F start. HID 347V Magnetic core & coil, -20°F start.</p>	<p>The 6007 series is designed for wall mounting over a recessed j-box. Wall must have sufficient strength to support luminaire. The mounting plate is secured to wall and the luminaire is hooked on to the plate and locked in place with set screws.</p>	<p>The optical design of the 6007 series is optimized for shallow ceiling wash distribution. The head can be articulated up and down 15 degrees to either transform the uplight to a forward throw distribution for higher ceilings or downward to spread the wash effect farther into the room. The reflector system is developed for maximum efficiency using high purity anodized aluminum embossed reflector sheet. The lamp is positioned to cut off wall side glare and maximize room side output.</p>	<p>The 6007 is normally provided for indoor dry or damp locations to UL and CSA standards but, if ordered, can be made suitable for wet locations to UL and CSA standards.</p> <p>All units have a protective tempered glass shield to protect the lamp compartment. The wet location units are totally sealed for wet location usage.</p>



Streamline 6006 Mini Indirect Ceiling Wash

INTERIOR

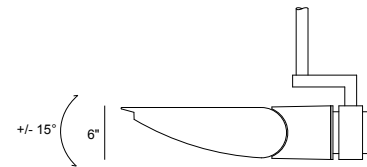
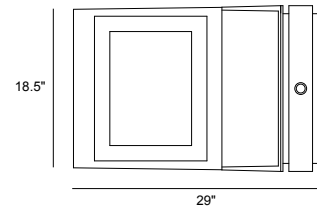
MODEL	LAMP	VOLT	OPTICS	OPTIONS	COLOUR
6006	39H <i>metal halide</i> <small>14 g8.5</small>	120*	LR* <i>light reveal</i>	WL <i>wet location (must also select NLR - not available for 300I)</i>	WT <i>white texture</i>
	20H <i>metal halide</i> <small>14 g8.5</small>	208	NLR <i>no light reveal</i>		BT <i>black texture</i>
	300I <i>halogen</i> <small>14 g8.5</small>	240			SM <i>silver metallic</i>
	150I <i>halogen</i> <small>14 r7s (3 1-8")</small>	277			AN <i>aluminum natural</i>
	226Q <i>compact fluorescent</i> <small>13 r7s (3 1/8")</small>	347			BZ <i>bronze</i>
	126Q <i>compact fluorescent</i> <small>dit 26w quad</small>				GM <i>gunmetal</i>
					WS <i>white satin</i>
					BM <i>black matte</i>
					RAL <i>specify no.</i>

*Standard configuration unless otherwise specified

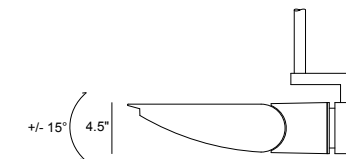
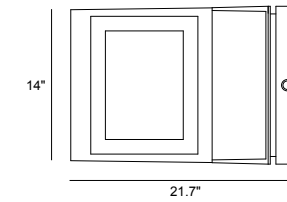
SAMPLE CATALOG NUMBER: 6006 - 39H - 120 - LR - WT

Using this catalog number would order 1 model 6006 mini indirect ceiling wash luminaire with a single 39 watt metal halide ballast wired to 120 volts with a light reveal, painted white texture polyester powder coat. Lamps by others.

CONSTRUCTION	MOUNTING	OPTICAL	PROTECTION
<p>Materials Adjustable lamp housing: Cast aluminum. Ballast enclosure: Cast aluminum with top cover plate. Lens: Industrex, tempered glass in captive frame (enclosed units only - CF, MH, 150I). Asymmetric reflector system: Precision, die formed specular embossed aluminum. Cantilever support arm: Cast aluminum.</p> <p>Electrical Components Ballast: HID - Electronic, 120V, 277V optional, -20°F start. Halogen - 120V only. CF - Electronic, <10% THD, variable input 120 to 277 volts, 0°F start.</p>	<p>The 6006 series is designed for wall mounting over a recessed FS junction box which is located parallel to the luminaire back on the center line. The luminaire mounting plate is secured to the mounting surface outside of the FS box location and the luminaire is hooked on the plate and secured with set screws on the bottom. The supply wires are connected to the luminaire leads and contained in the FS box cavity.</p>	<p>The optical design of the 6006 series is optimized for shallow ceiling wash distribution. The head can be articulated up and down 15 degrees to either transform the uplight to a forward throw distribution for higher ceilings or downward to spread the wash effect farther into the room. The reflector system is developed for maximum efficiency using specular embossed aluminum reflector sheet. The lamp is positioned to cut off wall side glare and maximize room side output.</p>	<p>The 6006 is normally provided for indoor dry or damp locations to UL and CSA standards but, if ordered, can be made suitable for wet locations to UL and CSA standards. The 300 watt T4 R7S unit is damp location listed only.</p> <p>All units have a protective tempered glass cover and all units but the 300 watt version are completely gasketed to exclude any contaminants.</p>



Double pendant shown



Double pendant shown

Streamline 6014 Maxi Indirect Pendant

INTERIOR

MODEL	LAMP	VOLT	OPTICS	OPTIONS	COLOUR
6014	320H [ⓔ] <i>metal halide</i> <small>t15 mogul</small>	120*	LR* <i>light reveal</i>	WL <i>wet location (must also select NLR)</i>	WT <i>white texture</i>
	250H [ⓔ] <i>metal halide</i> <small>t15 mogul</small>	208	NLR <i>no light reveal</i>	CV <i>cut-off visor for downward tilt</i>	BT <i>black texture</i>
	200H [ⓔ] <i>metal halide</i> <small>t15 mogul</small>	240			SM <i>silver metallic</i>
		277			AN <i>aluminum natural</i>
		347			BZ <i>bronze</i>
					GM <i>gunmetal</i>
					WS <i>white satin</i>
					BM <i>black matte</i>
					RAL <i>specify no.</i>

*Standard configuration unless otherwise specified [ⓔ] EISA Compliant

SAMPLE CATALOG NUMBER: 6014 - 320H - 120 - LR - WT

Using this catalog number would order 1 model 6014 maxi indirect ceiling wash pendant luminaire with a single 320 watt metal halide ballast wired to 120 volts with a light reveal, painted white texture polyester powder coat. Lamps by others.

CONSTRUCTION	MOUNTING	OPTICAL	PROTECTION
<p>Materials Adjustable lamp housing: Cast aluminum. Ballast enclosure: Cast aluminum with top cover plate. Lens: Clear, tempered glass in captive cast aluminum gasketed frame. Asymmetric reflector system: Precision, die formed specular embossed aluminum. Mounting stem: Steel tubing.</p> <p>Electrical Components Ballast: HID 120 - 277V Electronic, -20°F start. HID 347V Magnetic core & coil, -20°F start.</p>	<p>The 6014 luminaire is designed for pendant mounting. The rectangular canopy is designed to mount over a recessed 4" octagon j-box. The stem is 1-1/8" steel tubing with an offset to accommodate the luminaire center of gravity. The canopy is fastened to the ceiling separately from the j-box. Ceiling strength needs to be substantial enough to handle the weight (70 lbs.).</p>	<p>The optical design of the 6014 series is optimized for shallow ceiling wash distribution. The head can be articulated up and down 15 degrees to either transform the upright to a forward throw distribution for higher ceilings or downward to spread the wash effect farther into the room. The reflector system is developed for maximum efficiency using specular embossed aluminum reflector sheet.</p>	<p>The 6014 is normally provided for indoor dry or damp locations to UL and CSA standards but, if ordered, can be made suitable for wet locations to UL and CSA standards.</p> <p>All units have a protective tempered glass shield to protect the lamp compartment. The wet location units are totally sealed for wet location usage.</p>

Streamline 6013 Midi Indirect Pendant

INTERIOR

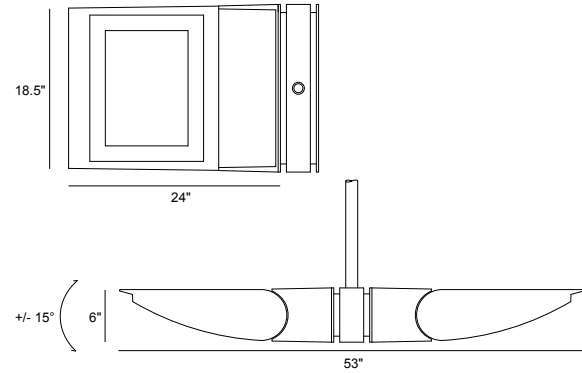
MODEL	LAMP	VOLT	OPTICS	OPTIONS	COLOUR
6013	150H [ⓔ] <i>metal halide</i> <small>t6 g-12</small>	120*	LR* <i>light reveal</i>	WL <i>wet location (must also select NLR)</i>	WT <i>white texture</i>
	70H <i>metal halide</i> <small>t6 g-12</small>	208	NLR <i>no light reveal</i>	CV <i>cut-off visor for downward tilt</i>	BT <i>black texture</i>
	39H <i>metal halide</i> <small>t6 g-12</small>	240			SM <i>silver metallic</i>
		277			AN <i>aluminum natural</i>
		347			BZ <i>bronze</i>
					GM <i>gunmetal</i>
					WS <i>white satin</i>
					BM <i>black matte</i>
					RAL <i>specify no.</i>

*Standard configuration unless otherwise specified [ⓔ] EISA Compliant

SAMPLE CATALOG NUMBER: 6013 - 150H - 120 - LR - WT

Using this catalog number would order 1 model 6013 midi indirect ceiling wash pendant luminaire with a single 150 watt metal halide ballast wired to 120 volts with a light reveal, painted white texture polyester powder coat. Lamps by others.

CONSTRUCTION	MOUNTING	OPTICAL	PROTECTION
<p>Materials Adjustable lamp housing: Cast aluminum. Ballast enclosure: Cast aluminum with top cover plate. Lens: Clear, tempered glass in cast aluminum gasketed frame. Asymmetric reflector system: Precision, die formed specular embossed aluminum. Mounting stem: Aluminum conduit.</p> <p>Electrical Components Ballast: HID 120 - 277V Electronic, -20°F start. HID 347V Magnetic core & coil, -20°F start.</p>	<p>The 6013 luminaire is designed for pendant mounting. The rectangular canopy is designed to mount over a recessed 4" octagon j-box. The stem is 1/2" aluminum conduit with an offset to accommodate the luminaire center of gravity. The canopy is fastened to the ceiling separately from the j-box. Ceiling strength needs to be substantial enough to handle the weight (40 lbs.).</p>	<p>The optical design of the 6013 series is optimized for shallow ceiling wash distribution. The head can be articulated up and down 15 degrees to either transform the upright to a forward throw distribution for higher ceilings or downward to spread the wash effect farther into the room. The reflector system is developed for maximum efficiency using specular embossed aluminum reflector sheet.</p>	<p>The 6013 is normally provided for indoor dry or damp locations to UL and CSA standards but, if ordered, can be made suitable for wet locations to UL and CSA standards.</p> <p>All units have a protective tempered glass shield to protect the lamp compartment. The wet location units are totally sealed for wet location usage.</p>



Streamline 6017 Maxi Twin Indirect Pendant

INTERIOR

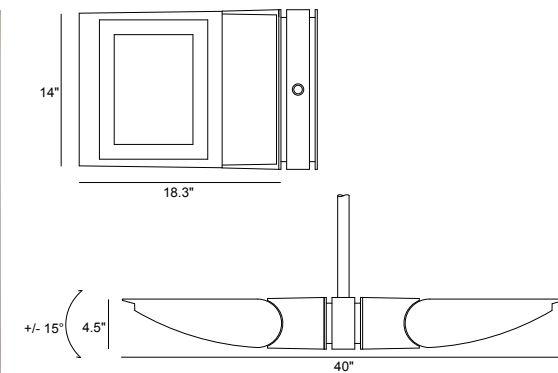
MODEL	LAMP	VOLT	OPTICS	OPTIONS	COLOUR
6017	320H metal halide <small>115 mogul</small>	120*	LR* light reveal	WL wet location (must also select NLR)	WT white texture
	250H metal halide <small>115 mogul</small>	208	NLR no light reveal	CV cut-off visor for downward tilt	BT black texture
	200H metal halide <small>115 mogul</small>	240			SM silver metallic
		277			AN aluminum natural
		347			BZ bronze
					GM gunmetal
					WS white satin
					BM black matte
					RAL specify no.

*Standard configuration unless otherwise specified EISA Compliant

SAMPLE CATALOG NUMBER: 6017 - 320H - 120 - LR - WT

Using this catalog number would order 1 model 6017 maxi twin indirect ceiling wash pendant luminaire with a two 320 watt metal halide ballasts wired to 120 volts with a light reveal, painted white texture polyester powder coat. Lamps by others.

CONSTRUCTION	MOUNTING	OPTICAL	PROTECTION
<p>Materials Adjustable lamp housing: Cast aluminum. Ballast enclosure: Cast aluminum with top cover plate. Lens: Clear, tempered glass in captive cast aluminum gasketed frame. Asymmetric reflector system: Precision, die formed specular embossed aluminum. Mounting stem: Steel tubing.</p> <p>Electrical Components Ballast: HID 120 - 277V Electronic, -20°F start. HID 347V Magnetic core & coil, -20°F start.</p>	<p>The 6017 luminaire is designed for pendant mounting in a twin, back to back configuration. Luminaire heads are coupled to a cast aluminum plate that also terminates the 1-1/8" steel stem. A decorative, rectangular ceiling canopy mounts over a 4" octagon, recessed j-box. Mounting holes are provided to attach to ceiling. Stem length varies. Ceiling strength must be sufficient to support 125 lbs.</p>	<p>The optical design of the 6017 series is optimized for shallow ceiling wash distribution. The head can be articulated up and down 15 degrees to either transform the uplight to a forward throw distribution for higher ceilings or downward to spread the wash effect farther into the room. The reflector system is developed for maximum efficiency using specular embossed aluminum reflector sheet.</p>	<p>The 6017 is normally provided for indoor dry or damp locations to UL and CSA standards but, if ordered, can be made suitable for wet locations to UL and CSA standards.</p> <p>All units have a protective tempered glass shield to protect the lamp compartment. The wet location units are totally sealed for wet location usage.</p>



Streamline 6016 Midi Twin Indirect Pendant

INTERIOR

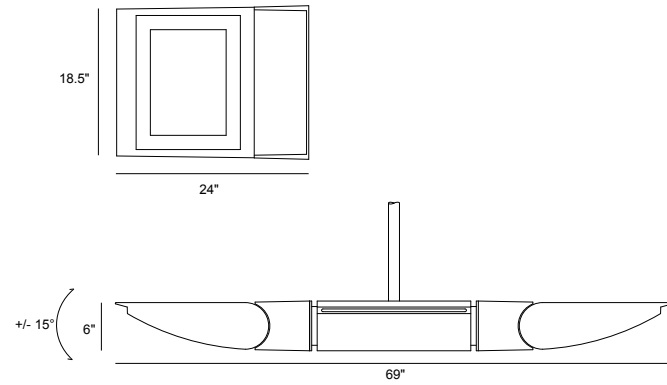
MODEL	LAMP	VOLT	OPTICS	OPTIONS	COLOUR
6016	150H metal halide <small>16 g-12</small>	120*	LR* light reveal	WL wet location (must also select NLR)	WT white texture
	70H metal halide <small>16 g-12</small>	208	NLR no light reveal	CV cut-off visor for downward tilt	BT black texture
	39H metal halide <small>16 g-12</small>	240			SM silver metallic
		277			AN aluminum natural
		347			BZ bronze
					GM gunmetal
					WS white satin
					BM black matte
					RAL specify no.

*Standard configuration unless otherwise specified EISA Compliant

SAMPLE CATALOG NUMBER: 6016 - 150H - 120 - LR - WT

Using this catalog number would order 1 model 6016 midi twin indirect ceiling wash pendant luminaire with a two 150 watt metal halide ballasts wired to 120 volts with a light reveal in each luminaire, painted white texture polyester powder coat. Lamps by others.

CONSTRUCTION	MOUNTING	OPTICAL	PROTECTION
<p>Materials Adjustable lamp housing: Cast aluminum. Ballast enclosure: Cast aluminum with top cover plate. Lens: Clear, tempered glass in cast aluminum gasketed frame. Asymmetric reflector system: Precision, die formed specular embossed aluminum. Mounting stem: Aluminum conduit.</p> <p>Electrical Components Ballast: HID 120 - 277V Electronic, -20°F start. HID 347V Magnetic core & coil, -20°F start.</p>	<p>The 6016 luminaire is designed for pendant mounting. The rectangular canopy is designed to mount over a recessed 4" octagon j-box. The stem is 1/2" aluminum conduit with an offset to accommodate the luminaire center of gravity. The canopy is fastened to the ceiling separately from the j-box. Ceiling strength needs to be substantial enough to handle the weight (65 lbs.).</p>	<p>The optical design of the 6016 series is optimized for shallow ceiling wash distribution. The head can be articulated up and down 15 degrees to either transform the uplight to a forward throw distribution for higher ceilings or downward to spread the wash effect farther into the room. The reflector system is developed for maximum efficiency using specular embossed aluminum reflector sheet.</p>	<p>The 6016 is normally provided for indoor dry or damp locations to UL and CSA standards but, if ordered, can be made suitable for wet locations to UL and CSA standards.</p> <p>All units have a protective tempered glass shield to protect the lamp compartment. The wet location units are totally sealed for wet location usage.</p>



Streamline 6023 Maxi Quad Indirect Pendant

INTERIOR

MODEL	LAMP	VOLT	OPTICS	OPTIONS	COLOUR
6023	320H [ⓔ] metal halide <small>t15 mogul</small>	120*	LR* light reveal	WL wet location (must select NLR)	WT white texture
	250H [ⓔ] metal halide <small>t15 mogul</small>	208	NLR no light reveal	CV cut-off visor for downward tilt	BT black texture
	200H [ⓔ] metal halide <small>t15 mogul</small>	240			SM silver metallic
		277			AN aluminum natural
		347			BZ bronze
					GM gunmetal
					WS white satin
					BM black matte
					RAL specify no.

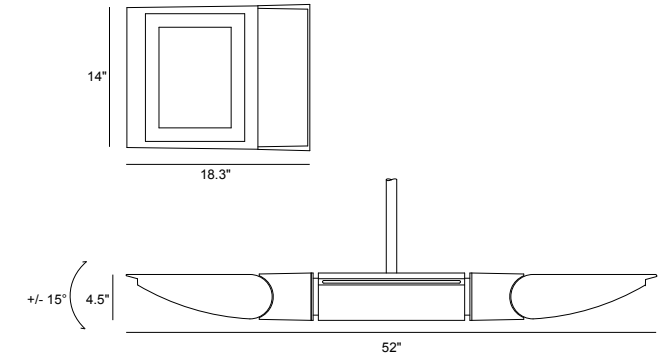
*Standard configuration unless otherwise specified

[ⓔ] EISA Compliant

SAMPLE CATALOG NUMBER: 6023 - 320H - 120 - LR - WT

Using this catalog number would order 1 model 6023 maxi quad indirect ceiling wash pendant luminaire with four 320 watt metal halide ballasts wired to 120 volts with a light reveal in each of the luminaire heads, painted white texture polyester powder coat. Lamps by others.

CONSTRUCTION	MOUNTING	OPTICAL	PROTECTION
<p>Materials Adjustable lamp housing: Cast aluminum. Ballast enclosure: Cast aluminum with top cover plate. Lens: Clear, tempered glass in captive cast aluminum gasketed frame. Asymmetric reflector system: Precision, die formed specular embossed aluminum. Mounting stem: Aluminum tubing. Center housing: 12 ga. steel, welded and ground.</p> <p>Electrical Components Ballast: HID Magnetic core & coil, -20°F start.</p>	<p>The 6023 luminaire is designed for pendant mounting in a quad cluster. The substantial mounting canopy and 1-1/8" stem supports a center housing to which four 6002 luminaire heads are fastened. The canopy covers a recessed 4" octagon j-box. Total luminaire weight is 270 lbs, which must be accommodated by the ceiling construction. Connection of stem is rigid and includes an aircraft cable safety cable. Consult factory for sloped ceiling and earthquake resistant mounting.</p>	<p>The optical design of the 6023 series is optimized for shallow ceiling wash distribution. The head can be articulated up and down 15 degrees to either transform the uplight to a forward throw distribution for higher ceilings or downward to spread the wash effect farther into the room. The reflector system is developed for maximum efficiency using specular embossed aluminum reflector sheet.</p>	<p>The 6023 is normally provided for indoor dry or damp locations to UL and CSA standards but, if ordered, can be made suitable for wet locations to UL and CSA standards.</p> <p>All units have a protective tempered glass shield to protect the lamp compartment. The wet location units are totally sealed for wet location usage.</p>



Streamline 6022 Midi Quad Indirect Pendant

INTERIOR

MODEL	LAMP	VOLT	OPTICS	OPTIONS	COLOUR
6022	150H [ⓔ] metal halide <small>t6 g-12</small>	120*	LR* light reveal	WL wet location (must also select NLR)	WT white texture
	70H metal halide <small>t6 g-12</small>	208	NLR no light reveal	CV cut-off visor for downward tilt	BT black texture
	39H metal halide <small>t6 g-12</small>	240			SM silver metallic
		277			AN aluminum natural
		347			BZ bronze
					GM gunmetal
					WS white satin
					BM black matte
					RAL specify no.

*Standard configuration unless otherwise specified

[ⓔ] EISA Compliant

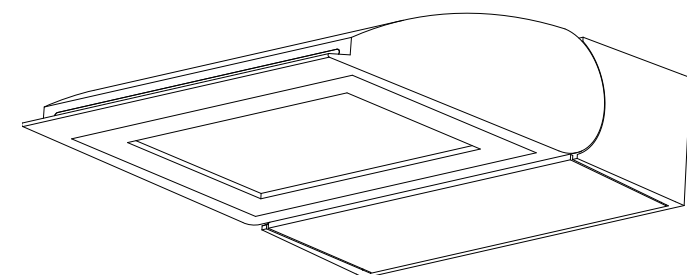
SAMPLE CATALOG NUMBER: 6022 - 150H - 120 - LR - WT

Using this catalog number would order 1 model 6022 midi quad indirect ceiling wash pendant luminaire with four 150 watt metal halide ballasts wired to 120 volts with a light reveal in each of the luminaire heads, painted white texture polyester powder coat. Lamps by others.

CONSTRUCTION	MOUNTING	OPTICAL	PROTECTION
<p>Materials Adjustable lamp housing: Cast aluminum. Ballast enclosure: Cast aluminum with top cover plate. Lens: Clear, tempered glass in cast aluminum gasketed frame. Asymmetric reflector system: Precision, die formed specular embossed aluminum. Mounting stem: Aluminum tubing. Center housing: 12 ga. steel, welded and ground.</p> <p>Electrical Components Ballast: HID 120 - 277V Electronic, -20°F start. HID 347V Magnetic core & coil, -20°F start.</p>	<p>The 6022 luminaire is designed for pendant mounting in a quad cluster. The substantial mounting canopy and 1-1/8" stem supports a center housing to which four 6001 luminaire heads are fastened. The canopy covers a recessed 4" octagon j-box. Total luminaire weight is 160 lbs, which must be accommodated by the ceiling construction. Connection of stem is rigid and includes an aircraft cable safety cable. Consult factory for sloped ceiling and earthquake resistant mounting.</p>	<p>The optical design of the 6022 series is optimized for shallow ceiling wash distribution. The head can be articulated up and down 15 degrees to either transform the uplight to a forward throw distribution for higher ceilings or downward to spread the wash effect farther into the room. The reflector system is developed for maximum efficiency using specular embossed aluminum reflector sheet.</p>	<p>The 6022 is normally provided for indoor dry or damp locations to UL and CSA standards but, if ordered, can be made suitable for wet locations to UL and CSA standards.</p> <p>All units have a protective tempered glass shield to protect the lamp compartment. The wet location units are totally sealed for wet location usage.</p>



STREAMLINE 6020 TWIN POST TOP

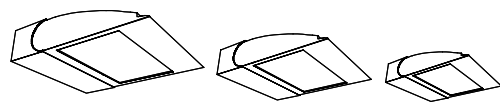


FAMILY
STREAMLINE DIRECT

**STREAMLINE
DIRECT**

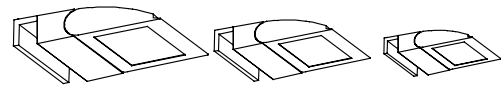
EXTERIOR

Wall Mount

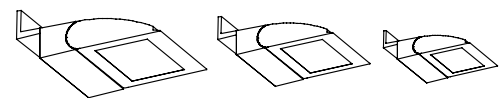


6005 6004 6003
Maxi Midi Mini

Wall Mount - Arm Extension

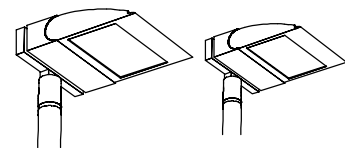


6005U 6004U 6003U
Maxi Midi Mini

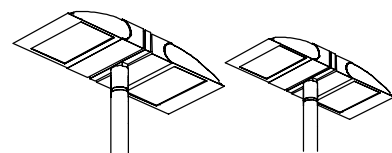


6005Z 6004Z 6003Z
Maxi Midi Mini

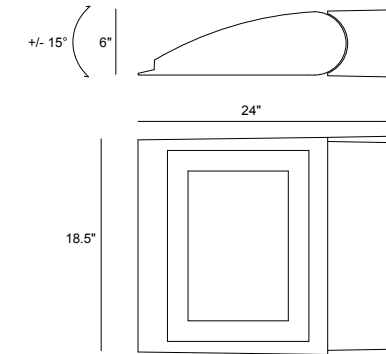
Post Top



6019 6018
Maxi Midi



6021 6020
Maxi Midi



Streamline 6005 Maxi Direct Wall Mount Area Light

EXTERIOR

MODEL	LAMP	VOLT	OPTIONS	COLOUR
6005	320H [ⓔ] metal halide 115 mogul	120*	FS fuse kit	WT white texture
	250H [ⓔ] metal halide 115 mogul	208	AUX auxiliary lighting system - quartz restrike	BT black texture
	200H [ⓔ] metal halide 115 mogul	240		SM silver metallic
		277		AN aluminum natural
		347		BZ bronze
				GM gunmetal
				WS white satin
				BM black matte
				RAL specify no.

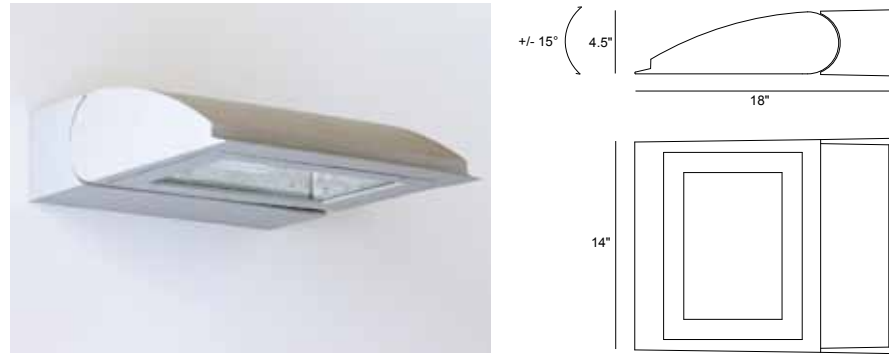
*Standard configuration unless otherwise specified

[ⓔ] EISA Compliant

SAMPLE CATALOG NUMBER: 6005 - 320H - 120 - WT

Using this catalog number would order 1 model 6005 maxi direct wall mount luminaire with a single 320 watt metal halide ballast wired to 120 volts, painted white texture polyester powder coat. Lamps by others.

CONSTRUCTION	MOUNTING	OPTICAL	PROTECTION
<p>Materials Adjustable lamp housing: Cast aluminum. Ballast enclosure: Cast aluminum with top cover plate. Lens: Clear, tempered glass in captive cast aluminum gasketed frame. Asymmetric reflector system: Precision, die formed specular embossed aluminum.</p> <p>Electrical Components Ballast: HID Magnetic core & coil, -20°F start.</p>	<p>The 6005 series is designed for wall mounting over a 4" octagonal recessed j-box. Wall must have sufficient strength to support luminaire. A heavy gauge mounting plate attaches to the wall surface. Head hooks on to plate and locks in place with two stainless steel set screws. Silicone seal is required along top of ballast compartment and down sides to keep moisture from entering ballast compartment.</p>	<p>The 6005 optical system is asymmetric forward throw, type IV with a full cutoff classification in the middle head position. Head is adjustable + or - 15° from horizontal.</p>	<p>The 6005 is listed for use in wet locations to UL and CSA standards.</p>



Streamline 6004 Midi Direct Wall Mount

EXTERIOR

MODEL	LAMP	VOLT	OPTIONS	COLOUR
6004	150H [Ⓜ] <i>metal halide</i> <small>16 g-12</small>	120*	FS <i>fuse kit</i>	WT <i>white texture</i>
	70H <i>metal halide</i> <small>16 g-12</small>	208	AUX <i>auxiliary lighting system - quartz restrrike</i>	BT <i>black texture</i>
	39H <i>metal halide</i> <small>16 g-12</small>	240		SM <i>silver metallic</i>
		277		AN <i>aluminum natural</i>
		347		BZ <i>bronze</i>
				GM <i>gunmetal</i>
				WS <i>white satin</i>
				BM <i>black matte</i>
				RAL <i>specify no.</i>

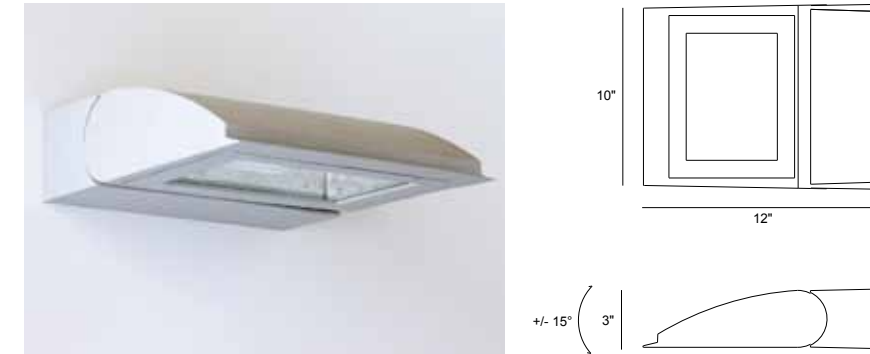
*Standard configuration unless otherwise specified

[Ⓜ] EISA Compliant

SAMPLE CATALOG NUMBER: 6004 - 150H - 120 - WT

Using this catalog number would order 1 model 6004 midi direct wall mount luminaire with a single 150 watt metal halide ballast wired to 120 volts, painted white texture polyester powder coat. Lamps by others.

CONSTRUCTION	MOUNTING	OPTICAL	PROTECTION
<p>Materials Adjustable lamp housing: Cast aluminum. Ballast enclosure: Cast aluminum with top cover plate. Lens: Clear, tempered glass in cast aluminum gasketed frame. Asymmetric reflector system: Precision, die formed specular embossed aluminum.</p> <p>Electrical Components Ballast: HID 120 - 277V Electronic, -20°F start. HID 347V Magnetic core & coil, -20°F start.</p>	<p>The 6004 series is designed for wall mounting over a 4" octagonal j-box. A heavy gauge mounting plate attaches to the wall surface. Head hooks on to the mounting plate and locks in place with two stainless steel set screws. Silicone seal is required along the top of the ballast compartment and down sides to exclude moisture from entering ballast compartment.</p>	<p>The 6004 optical system is asymmetric forward throw, type IV with a full cutoff classification in the middle head position. Head is adjustable + or - 15° from horizontal.</p>	<p>The 6004 is listed for use in wet locations to UL and CSA standards.</p>



Streamline 6003 Mini Direct Wall Mount Downlight

INTERIOR/EXTERIOR

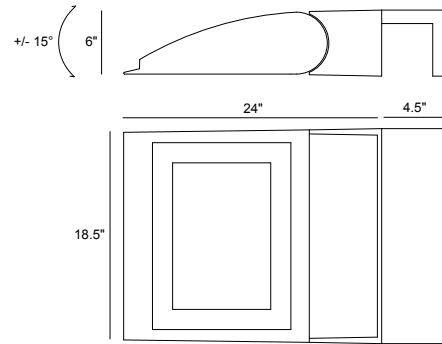
MODEL	LAMP	VOLT	OPTIONS	COLOUR
6003	39H <i>metal halide</i> <small>14 g8.5</small>	120*	FS <i>fuse kit</i>	WT <i>white texture</i>
	20H <i>metal halide</i> <small>14 g8.5</small>	208		BT <i>black texture</i>
	150I <i>halogen</i> <small>13 r7s (3 1/8")</small>	240		SM <i>silver metallic</i>
	226Q <i>compact fluorescent</i> <small>dtl 26w quad</small>	277		AN <i>aluminum natural</i>
	126Q <i>compact fluorescent</i> <small>dtl 26w quad</small>	347		BZ <i>bronze</i>
				GM <i>gunmetal</i>
				WS <i>white satin</i>
				BM <i>black matte</i>
				RAL <i>specify no.</i>

*Standard configuration unless otherwise specified

SAMPLE CATALOG NUMBER: 6003 - 39H - 120 - WT

Using this catalog number would order 1 model 6003 mini direct wall mount downlight with a single 39 watt metal halide ballast wired to 120 volts, painted white texture polyester powder coat. Lamps by others.

CONSTRUCTION	MOUNTING	OPTICAL	PROTECTION
<p>Materials Adjustable lamp housing: Cast aluminum. Ballast enclosure: Cast aluminum with top cover plate. Lens: Industrex, tempered glass in captive frame. Asymmetric reflector system: Precision, die formed specular embossed aluminum.</p> <p>Electrical Components Ballast: HID - Electronic, 120V, 277V optional, -20°F start. Halogen - 120V only. CF - Electronic, <10% THD, variable input 120 to 277 volts, 0°F start.</p>	<p>The 6003 series is designed for wall mounting over a recessed FS junction box which is located parallel to the luminaire back on the center line. The luminaire mounting plate is secured to the mounting surface outside of the FS box location and the luminaire is hooked on the plate and secured with set screws on the bottom. Silicone sealant is required in wet locations along back and down sides to keep moisture out of wiring compartment.</p>	<p>The 6003 optical system is asymmetric forward throw type IV with a full cutoff classification in the middle head position. Head is adjustable + or - 15° from horizontal.</p>	<p>The 6003 is CSA/UL listed for use in wet locations.</p>



Streamline 6005U Maxi Direct Wall Mount Area Light

EXTERIOR

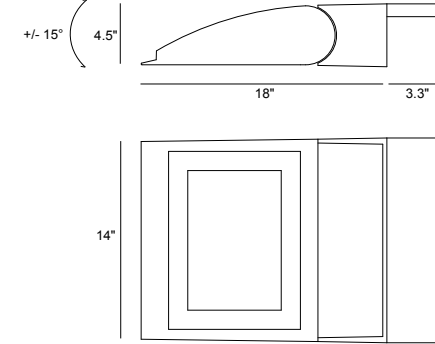
MODEL	LAMP	VOLT	OPTIONS	COLOUR
6005U	320H [ⓔ] metal halide <small>t15 mogul</small>	120*	FS fuse kit	WT white texture
	250H [ⓔ] metal halide <small>t15 mogul</small>	208	AUX auxiliary lighting system - quartz restrrike	BT black texture
	200H [ⓔ] metal halide <small>t15 mogul</small>	240		SM silver metallic
		277		AN aluminum natural
		347		BZ bronze
				GM gunmetal
				WS white satin
				BM black matte
				RAL specify no.

*Standard configuration unless otherwise specified [ⓔ] EISA Compliant

SAMPLE CATALOG NUMBER: 6005U - 320H - 120 - WT

Using this catalog number would order 1 model 6005U maxi direct wall mount luminaire with a single 320 watt metal halide ballast wired to 120 volts, painted white texture polyester powder coat. Lamps by others.

CONSTRUCTION	MOUNTING	OPTICAL	PROTECTION
<p>Materials</p> <p>Adjustable lamp housing: Cast aluminum. Ballast enclosure: Cast aluminum with top cover plate. Lens: Clear, tempered glass in captive cast aluminum gasketed frame. Asymmetric reflector system: Precision, die formed specular embossed aluminum. Cantilever support arm: Cast aluminum.</p> <p>Electrical Components</p> <p>Ballast: HID Magnetic core & coil, -20°F start.</p>	<p>The 6005U series is designed for wall mounting over a 4" octagonal recessed j-box. Wall must have sufficient strength to support luminaire. A heavy gauge mounting plate attaches to the wall surface. Head hooks on to plate and locks in place with two stainless steel set screws. Silicone seal is required along top of ballast compartment and down sides to keep moisture from entering ballast compartment.</p>	<p>The 6005U optical system is asymmetric forward throw, type IV with a full cutoff classification in the middle head position. Head is adjustable + or - 15° from horizontal.</p>	<p>The 6005U is listed for use in wet locations to UL and CSA standards.</p>



Streamline 6004U Midi Direct Wall Mount

EXTERIOR

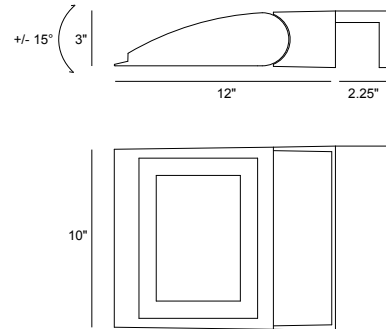
MODEL	LAMP	VOLT	OPTIONS	COLOUR
6004U	150H [ⓔ] metal halide <small>t6 g-12</small>	120*	FS fuse kit	WT white texture
	70H metal halide <small>t6 g-12</small>	208	AUX auxiliary lighting system - quartz restrrike	BT black texture
	39H metal halide <small>t6 g-12</small>	240		SM silver metallic
		277		AN aluminum natural
		347		BZ bronze
				GM gunmetal
				WS white satin
				BM black matte
				RAL specify no.

*Standard configuration unless otherwise specified [ⓔ] EISA Compliant

SAMPLE CATALOG NUMBER: 6004U - 150H - 120 - WT

Using this catalog number would order 1 model 6004U midi direct wall mount luminaire with a single 150 watt metal halide ballast wired to 120 volts, painted white texture polyester powder coat. Lamps by others.

CONSTRUCTION	MOUNTING	OPTICAL	PROTECTION
<p>Materials</p> <p>Adjustable lamp housing: Cast aluminum. Ballast enclosure: Cast aluminum with top cover plate. Lens: Clear, tempered glass in cast aluminum gasketed frame. Asymmetric reflector system: Precision, die formed specular embossed aluminum. Cantilever support arm: Cast aluminum.</p> <p>Electrical Components</p> <p>Ballast: HID 120 - 277V Electronic, -20°F start. HID 347V Magnetic core & coil, -20°F start.</p>	<p>The 6004U series is designed for wall mounting over a 4" octagonal j-box. A heavy gauge mounting plate attaches to the wall surface. Head hooks on to the mounting plate and locks in place with two stainless steel set screws. Silicone seal is required along the top of the ballast compartment and down sides to exclude moisture from entering ballast compartment.</p>	<p>The 6004U optical system is asymmetric forward throw, type IV with a full cutoff classification in the middle head position. Head is adjustable + or - 15° from horizontal.</p>	<p>The 6004U is listed for use in wet locations to UL and CSA standards.</p>



Streamline 6003U Mini Direct Wall Mount Downlight INTERIOR/EXTERIOR

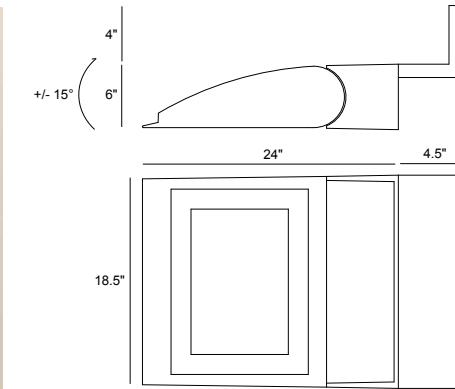
MODEL	LAMP	VOLT	OPTIONS	COLOUR
6003U	39H <i>metal halide</i> <small>t4 g8.5</small>	120*	FS <i>fuse kit</i>	WT <i>white texture</i>
	20H <i>metal halide</i> <small>t4 g8.5</small>	208		BT <i>black texture</i>
	150I <i>halogen</i> <small>t4 g8.5</small>	240		SM <i>silver metallic</i>
	226Q <i>compact fluorescent</i> <small>t3 r7s (3 1/8")</small>	277		AN <i>aluminum natural</i>
	126Q <i>compact fluorescent</i> <small>dtl 26w quad</small>	347		BZ <i>bronze</i>
				GM <i>gunmetal</i>
				WS <i>white satin</i>
				BM <i>black matte</i>
				RAL <i>specify no.</i>

*Standard configuration unless otherwise specified

SAMPLE CATALOG NUMBER: 6003U - 39H - 120 - WT

Using this catalog number would order 1 model 6003U mini direct wall mount downlight with a single 39 watt metal halide ballast wired to 120 volts, painted white texture polyester powder coat. Lamps by others.

CONSTRUCTION	MOUNTING	OPTICAL	PROTECTION
<p>Materials Adjustable lamp housing: Cast aluminum. Ballast enclosure: Cast aluminum with top cover plate. Lens: Industrex, tempered glass in captive frame. Asymmetric reflector system: Precision, die formed specular embossed aluminum.</p> <p>Electrical Components Ballast: HID - Electronic, 120V, 277V optional, -20°F start. Halogen - 120V only. CF - Electronic, <10% THD, variable input 120 to 277 volts, 0°F start.</p>	<p>The 6003U series is designed for wall mounting over a recessed FS junction box which is located parallel to the luminaire back on the center line. The luminaire mounting plate is secured to the mounting surface outside of the FS box location and the luminaire is hooked on the plate and secured with set screws on the bottom. Silicone sealant is required in wet locations along back and down sides to keep moisture out of wiring compartment.</p>	<p>The 6003U HID optical system is asymmetric forward throw type IV with a full cutoff classification in the middle head position. Head is adjustable + or - 15° from horizontal.</p>	<p>The 6003U is CSA/UL listed for use in wet locations.</p>



Streamline 6005Z Maxi Direct Wall Mount Area Light EXTERIOR

MODEL	LAMP	VOLT	OPTIONS	COLOUR
6005Z	320Hⓔ <i>metal halide</i> <small>t15 mogul</small>	120*	FS <i>fuse kit</i>	WT <i>white texture</i>
	250Hⓔ <i>metal halide</i> <small>t15 mogul</small>	208	AUX <i>auxiliary lighting system - quartz restrrike</i>	BT <i>black texture</i>
	200Hⓔ <i>metal halide</i> <small>t15 mogul</small>	240		SM <i>silver metallic</i>
		277		AN <i>aluminum natural</i>
		347		BZ <i>bronze</i>
				GM <i>gunmetal</i>
				WS <i>white satin</i>
				BM <i>black matte</i>
				RAL <i>specify no.</i>

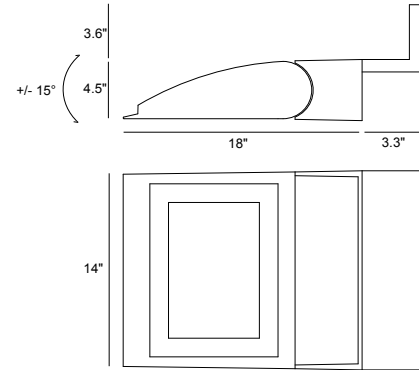
*Standard configuration unless otherwise specified

ⓔ EISA Compliant

SAMPLE CATALOG NUMBER: 6005Z - 320H - 120 - WT

Using this catalog number would order 1 model 6005Z maxi direct wall mount luminaire with a single 320 watt metal halide ballast wired to 120 volts, painted white texture polyester powder coat. Lamps by others.

CONSTRUCTION	MOUNTING	OPTICAL	PROTECTION
<p>Materials Adjustable lamp housing: Cast aluminum. Ballast enclosure: Cast aluminum with top cover plate. Lens: Clear, tempered glass in captive cast aluminum gasketed frame. Asymmetric reflector system: Precision, die formed specular embossed aluminum. Cantilever support arm: Cast aluminum.</p> <p>Electrical Components Ballast: HID Magnetic core & coil, -20°F start.</p>	<p>The 6005Z series is designed for wall mounting over a 4" octagonal recessed j-box. Wall must have sufficient strength to support luminaire. A heavy gauge mounting plate attaches to the wall surface. Head hooks on to plate and locks in place with two stainless steel set screws. Silicone seal is required along top of ballast compartment and down sides to keep moisture from entering ballast compartment.</p>	<p>The 6005Z optical system is asymmetric forward throw, type IV with a full cutoff classification in the middle head position. Head is adjustable + or - 15° from horizontal.</p>	<p>The 6005Z is listed for use in wet locations to UL and CSA standards.</p>



Streamline 6004Z Midi Direct Wall Mount

EXTERIOR

MODEL	LAMP	VOLT	OPTIONS	COLOUR
6004Z	150H [Ⓢ] <i>metal halide</i> <small>16 g-12</small>	120*	FS <i>fuse kit</i>	WT <i>white texture</i>
	70H <i>metal halide</i> <small>16 g-12</small>	208	AUX <i>auxiliary lighting system - quartz restrike</i>	BT <i>black texture</i>
	39H <i>metal halide</i> <small>16 g-12</small>	240		SM <i>silver metallic</i>
		277		AN <i>aluminum natural</i>
		347		BZ <i>bronze</i>
				GM <i>gunmetal</i>
				WS <i>white satin</i>
				BM <i>black matte</i>
				RAL <i>specify no.</i>

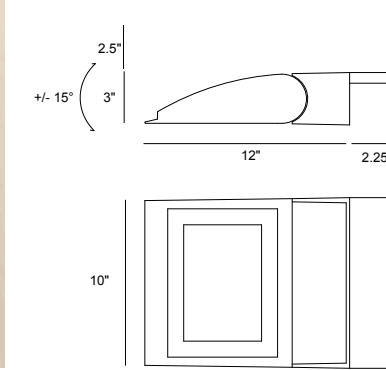
*Standard configuration unless otherwise specified

[Ⓢ] EISA Compliant

SAMPLE CATALOG NUMBER: 6004Z - 150H - 120 - WT

Using this catalog number would order 1 model 6004Z midi direct wall mount luminaire with a single 150 watt metal halide ballast wired to 120 volts, painted white texture polyester powder coat. Lamps by others.

CONSTRUCTION	MOUNTING	OPTICAL	PROTECTION
<p>Materials Adjustable lamp housing: Cast aluminum. Ballast enclosure: Cast aluminum with top cover plate. Lens: Clear, tempered glass in cast aluminum gasketed frame. Asymmetric reflector system: Precision, die formed specular embossed aluminum. Cantilever support arm: Cast aluminum.</p> <p>Electrical Components Ballast: HID 120 - 277V Electronic, -20°F start. HID 347V Magnetic core & coil, -20°F start.</p>	<p>The 6004Z series is designed for wall mounting over a 4" octagonal j-box. A heavy gauge mounting plate attaches to the wall surface. Head hooks on to the mounting plate and locks in place with two stainless steel set screws. Silicone seal is required along the top of the ballast compartment and down sides to exclude moisture from entering ballast compartment.</p>	<p>The 6004Z optical system is asymmetric forward throw, type IV with a full cutoff classification in the middle head position. Head is adjustable + or - 15° from horizontal.</p>	<p>The 6004Z is listed for use in wet locations to UL and CSA standards.</p>



Streamline 6003Z Mini Direct Wall Mount Downlight

INTERIOR/EXTERIOR

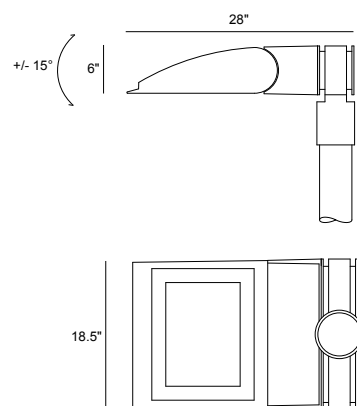
MODEL	LAMP	VOLT	OPTIONS	COLOUR
6003Z	39H <i>metal halide</i> <small>14 g8.5</small>	120*	FS <i>fuse kit</i>	WT <i>white texture</i>
	20H <i>metal halide</i> <small>14 g8.5</small>	208		BT <i>black texture</i>
	150I <i>halogen</i> <small>13.17s (3 1/8")</small>	240		SM <i>silver metallic</i>
	226Q <i>compact fluorescent</i> <small>dtl 26w quad</small>	277		AN <i>aluminum natural</i>
	126Q <i>compact fluorescent</i> <small>dtl 26w quad</small>	347		BZ <i>bronze</i>
				GM <i>gunmetal</i>
				WS <i>white satin</i>
				BM <i>black matte</i>
				RAL <i>specify no.</i>

*Standard configuration unless otherwise specified

SAMPLE CATALOG NUMBER: 6003Z - 39H - 120 - WT

Using this catalog number would order 1 model 6003Z mini direct wall mount downlight with a single 39 watt metal halide ballast wired to 120 volts, painted white texture polyester powder coat. Lamps by others.

CONSTRUCTION	MOUNTING	OPTICAL	PROTECTION
<p>Materials Adjustable lamp housing: Cast aluminum. Ballast enclosure: Cast aluminum with top cover plate. Lens: Industrex, tempered glass in captive frame. Asymmetric reflector system: Precision, die formed specular embossed aluminum. Cantilever support arm: Cast aluminum.</p> <p>Electrical Components Ballast: HID - Electronic, 120V, 277V optional, -20°F start. Halogen - 120V only. CF - Electronic, <10% THD, variable input 120 to 277 volts, 0°F start.</p>	<p>The 6003Z series is designed for wall mounting over a recessed FS junction box which is located parallel to the luminaire back on the center line. The luminaire mounting plate is secured to the mounting surface outside of the FS box location and the luminaire is hooked on the plate and secured with set screws on the bottom. Silicone sealant is required in wet locations along back and down sides to keep moisture out of wiring compartment.</p>	<p>The 6003Z HID optical system is asymmetric forward throw type IV with a full cutoff classification in the middle head position. Head is adjustable + or - 15° from horizontal.</p>	<p>The 6003Z is CSA/UL listed for use in wet locations.</p>



Streamline 6019 Maxi Single Post Top

EXTERIOR

MODEL	LAMP	VOLT	OPTIONS	COLOUR
6019	320H [ⓔ] metal halide <small>t15 mogul</small>	120*	FS fuse kit	WT white texture
	250H [ⓔ] metal halide <small>t15 mogul</small>	208		BT black texture
	200H [ⓔ] metal halide <small>t15 mogul</small>	240		SM silver metallic
		277		AN aluminum natural
		347		BZ bronze
				GM gunmetal
				WS white satin
				BM black matte
				RAL specify no.

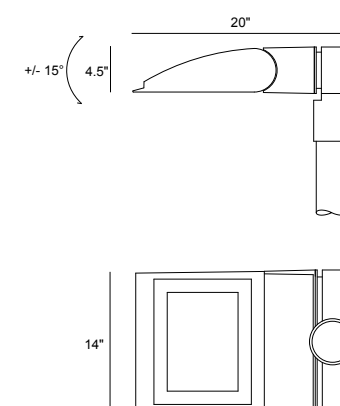
*Standard configuration unless otherwise specified

[ⓔ] EISA Compliant

SAMPLE CATALOG NUMBER: 6019 - 320H - 120 - WT

Using this catalog number would order 1 model 6019 maxi single post top luminaire with a single 320 watt metal halide ballast wired to 120 volts, painted white texture polyester powder coat. Lamps by others.

CONSTRUCTION	MOUNTING	OPTICAL	PROTECTION
<p>Materials Adjustable lamp housing: Cast aluminum. Ballast enclosure: Cast aluminum with top cover plate. Lens: Clear, tempered glass in captive cast aluminum gasketed frame. Asymmetric reflector system: Precision, die formed specular embossed aluminum.</p> <p>Electrical Components Ballast: HID Magnetic core & coil, -20°F start.</p>	<p>The 6019 luminaire is designed for pole top mounting. A cast aluminum pole/luminaire transition is provided to adapt to a 4" diameter pole or tenon. A heavy gauge mounting plate attached to the transition carries the luminaire weight and allows it to be locked to the transition with stainless steel set screws.</p>	<p>The 6019 optical system is asymmetric forward throw, type IV with a full cutoff classification in the middle head position. Head is adjustable + or - 15° from horizontal.</p>	<p>The 6019 is listed for use in wet locations to UL and CSA standards. Windloading EPA = 1.14 sq. ft.</p>



Streamline 6018 Midi Single Post Top

EXTERIOR

MODEL	LAMP	VOLT	OPTIONS	COLOUR
6018	150H [ⓔ] metal halide <small>t6 g-12</small>	120*	FS fuse kit	WT white texture
	70H metal halide <small>t6 g-12</small>	208		BT black texture
	39H metal halide <small>t6 g-12</small>	240		SM silver metallic
		277		AN aluminum natural
		347		BZ bronze
				GM gunmetal
				WS white satin
				BM black matte
				RAL specify no.

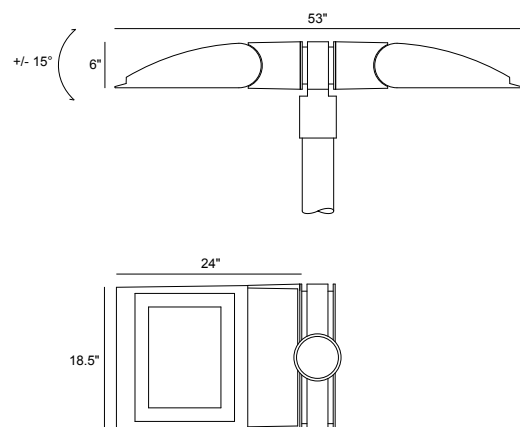
*Standard configuration unless otherwise specified

[ⓔ] EISA Compliant

SAMPLE CATALOG NUMBER: 6018 - 150H - 120 - WT

Using this catalog number would order 1 model 6018 midi single post top luminaire with a single 150 watt metal halide ballast wired to 120 volts, painted white texture polyester powder coat. Lamps by others.

CONSTRUCTION	MOUNTING	OPTICAL	PROTECTION
<p>Materials Adjustable lamp housing: Cast aluminum. Ballast enclosure: Cast aluminum with top cover plate. Lens: Clear, tempered glass. Lens frame: cast aluminum. Asymmetric reflector system: Precision, die formed specular embossed aluminum.</p> <p>Electrical Components Ballast: HID 120 - 277V Electronic, -20°F start. HID 347V Magnetic core & coil, -20°F start.</p>	<p>The 6018 luminaire is designed for pole top mounting. A cast aluminum pole/luminaire transition is provided to adapt to a 4" diameter tenon or pole. A heavy gauge mounting plate attached to the transition carries the luminaire weight and allows it to be locked to the transition with stainless steel set screws.</p>	<p>The 6018 optical design is asymmetric forward throw, type IV with a full cutoff classification in the middle head position. Head is adjustable + or - 15° from horizontal.</p>	<p>The 6018 is listed for use in wet locations to UL and CSA standards. Windloading EPA = 0.70 sq. ft.</p>



Streamline 6021 Maxi Twin Post Top

EXTERIOR

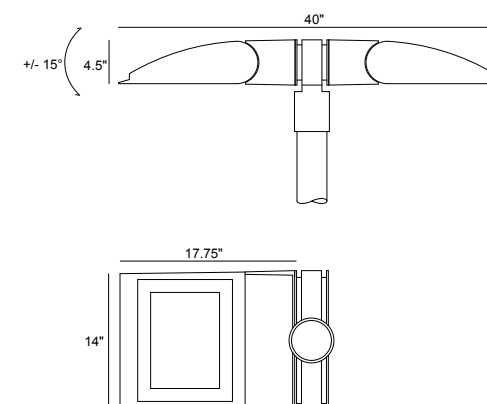
MODEL	LAMP	VOLT	OPTIONS	COLOUR
6021	320H [ⓔ] metal halide t15 mogul	120*	FS fuse kit	WT white texture
	250H [ⓔ] metal halide t15 mogul	208		BT black texture
	200H [ⓔ] metal halide t15 mogul	240		SM silver metallic
		277		AN aluminum natural
		347		BZ bronze
				GM gunmetal
				WS white satin
				BM black matte
				RAL specify no.

*Standard configuration unless otherwise specified [ⓔ] EISA Compliant

SAMPLE CATALOG NUMBER: 6021 - 320H - 120 - WT

Using this catalog number would order 1 model 6021 maxi twin post top luminaire with two 320 watt metal halide ballasts wired to 120 volts, painted white texture polyester powder coat. Lamps by others.

CONSTRUCTION	MOUNTING	OPTICAL	PROTECTION
<p>Materials Adjustable lamp housing: Cast aluminum. Ballast enclosure: Cast aluminum with top cover plate. Lens: Clear, tempered glass in captive cast aluminum gasketed frame. Asymmetric reflector system: Precision, die formed specular embossed aluminum.</p> <p>Electrical Components Ballast: HID Magnetic core & coil, -20°F start.</p>	<p>The 6021 luminaire is designed for pole top mounting. A cast aluminum pole/luminaire transition is provided to adapt to a 4" diameter pole or tenon. A heavy gauge mounting plate attached to the transition carries the luminaire weight and allows it to be locked to the transition with stainless steel set screws.</p>	<p>The 6021 optical system is asymmetric forward throw, type IV with a full cutoff classification in the middle head position. Head is adjustable + or - 15° from horizontal.</p>	<p>The 6021 is listed for use in wet locations to UL and CSA standards. Windloading EPA = 2.07 sq. ft.</p>



Streamline 6020 Midi Twin Post Top

EXTERIOR

MODEL	LAMP	VOLT	OPTIONS	COLOUR
6020	150H [ⓔ] metal halide t6 g-12	120*	FS fuse kit	WT white texture
	70H metal halide t6 g-12	208		BT black texture
	39H metal halide t6 g-12	240		SM silver metallic
		277		AN aluminum natural
		347		BZ bronze
				GM gunmetal
				WS white satin
				BM black matte
				RAL specify no.

*Standard configuration unless otherwise specified [ⓔ] EISA Compliant

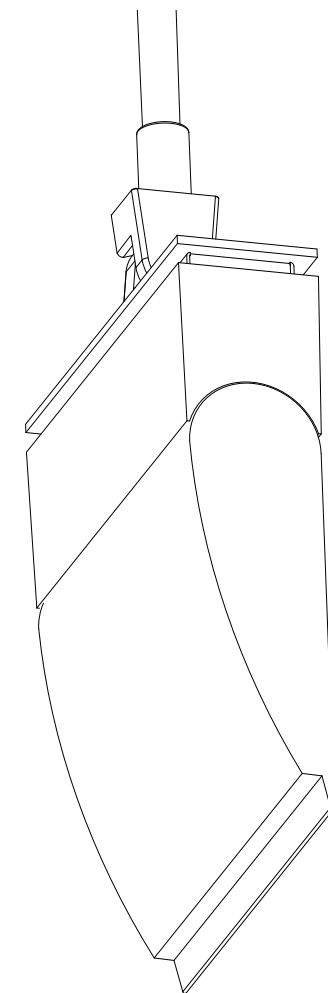
SAMPLE CATALOG NUMBER: 6020 - 150H - 120 - WT

Using this catalog number would order 1 model 6020 midi twin post top luminaire with a two 150 watt metal halide ballasts wired to 120 volts, painted white texture polyester powder coat. Lamps by others.

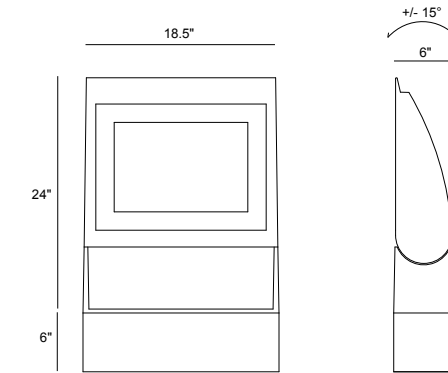
CONSTRUCTION	MOUNTING	OPTICAL	PROTECTION
<p>Materials Adjustable lamp housing: Cast aluminum. Ballast enclosure: Cast aluminum with top cover plate. Lens: Clear, tempered glass. Lens frame: Cast aluminum. Asymmetric reflector system: Precision, die formed specular embossed aluminum.</p> <p>Electrical Components Ballast: HID 120 - 277V Electronic, -20°F start. HID 347V Magnetic core & coil, -20°F start.</p>	<p>The 6020 luminaire is designed for pole top mounting. A cast aluminum pole/luminaire transition is provided to adapt to a 4" diameter tenon or pole. A heavy gauge mounting plate attached to the transition carries the luminaire weight and allows it to be locked to the transition with stainless steel set screws.</p>	<p>The 6020 optical design is asymmetric forward throw, type IV with a full cutoff classification in the middle head position. Head is adjustable + or - 15° from horizontal.</p>	<p>The 6020 is listed for use in wet locations to UL and CSA standards. Windloading EPA = 1.25 sq. ft.</p>



STREAMLINE 6004IY VERTICAL PLANE WASH



FAMILY
STREAMLINE
VERTICAL PLANE WASH



Streamline 6005IY Maxi Vertical Surface Wash

EXTERIOR

MODEL	LAMP	VOLT	OPTICS	OPTIONS	COLOUR
6005IY	320H [ⓔ] metal halide t15 mogul	120*	L cross louver assembly	FS fuse kit	WT white texture
	250H [ⓔ] metal halide t15 mogul	208			BT black texture
	200H [ⓔ] metal halide t15 mogul	240			SM silver metallic
		277			AN aluminum natural
		347			BZ bronze
					GM gunmetal
					WS white satin
					BM black matte
					RAL specify no.

*Standard configuration unless otherwise specified [ⓔ] EISA Compliant

SAMPLE CATALOG NUMBER: 6005IY - 320H - 120 - WT

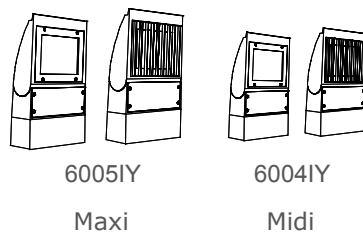
Using this catalog number would order 1 model 6005IY maxi vertical surface wash pedestal base luminaire with a single 320 watt metal halide ballast wired to 120 volts, painted white texture polyester powder coat. Lamps by others.

CONSTRUCTION	MOUNTING	OPTICAL	PROTECTION
<p>Materials Adjustable lamp housing: Cast aluminum. Ballast enclosure: Cast aluminum with top cover plate. Lens: Clear, tempered glass. Lens frame: Captive, cast aluminum. Asymmetric reflector system: Precision, die formed specular embossed aluminum.</p> <p>Electrical Components Ballast: HID Magnetic core & coil, -20°F start.</p>	<p>The 6005IY luminaire is supplied with an aluminum pedestal base. Anchor bolts are provided. Foundation is by others. Head is mounted to pedestal base.</p>	<p>The optical system is an asymmetric forward throw distribution. The head is adjustable + or - 15° to allow for precise aiming up a vertical wall surface. Adjustment mechanism is located inside the ballast compartment.</p>	<p>The 6005IY luminaires are listed for use in wet locations to UL and CSA standards.</p>

STREAMLINE VERTICAL PLANE WASH

EXTERIOR

Pedestal Mount



6005IY

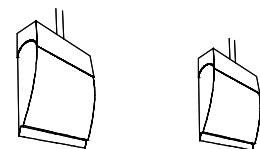
6004IY

Maxi

Midi

INTERIOR

Pendant Mount

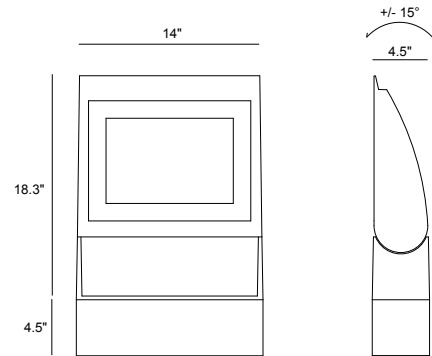


6001P

6000P

Midi

Mini



Streamline 6004IY Midi Vertical Surface Wash

EXTERIOR

MODEL	LAMP	VOLT	OPTICS	OPTIONS	COLOUR
6004IY	150H [ⓔ] <i>metal halide</i> <small>16 g-12</small>	120*	L <i>cross louver assembly</i>	FS <i>fuse kit</i>	WT <i>white texture</i>
	70H <i>metal halide</i> <small>16 g-12</small>	208			BT <i>black texture</i>
	39H <i>metal halide</i> <small>16 g-12</small>	240			SM <i>silver metallic</i>
		277			AN <i>aluminum natural</i>
		347			BZ <i>bronze</i>
					GM <i>gunmetal</i>
					WS <i>white satin</i>
					BM <i>black matte</i>
					RAL <i>specify no.</i>

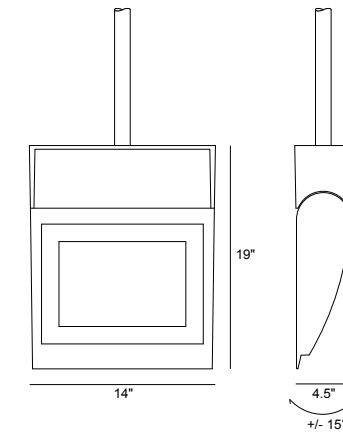
*Standard configuration unless otherwise specified

[ⓔ] EISA Compliant

SAMPLE CATALOG NUMBER: 6004IY - 150H - 120 - WT

Using this catalog number would order 1 model 6004IY midi vertical surface wash pedestal base luminaire with a single 150 watt metal halide ballast wired to 120 volts, painted white texture polyester powder coat. Lamps by others.

CONSTRUCTION	MOUNTING	OPTICAL	PROTECTION
<p>Materials Adjustable lamp housing: Cast aluminum. Ballast enclosure: Cast aluminum with top cover plate. Lens: Clear, tempered glass. Lens frame: Cast aluminum. Asymmetric reflector system: Precision, die formed specular embossed aluminum.</p> <p>Electrical Components Ballast: HID 120 - 277V Electronic, -20°F start. HID 347V Magnetic core & coil, -20°F start.</p>	<p>The 6004IY luminaire is supplied with an aluminum pedestal base. Anchor bolts are provided. Foundation is by others. Head is mounted to pedestal base.</p>	<p>The optical system is an asymmetric forward throw distribution. The head is adjustable + or - 15° to allow for precise aiming up a vertical wall surface. Adjustment mechanism is located inside the ballast compartment.</p>	<p>The 6004IY luminaires are listed for use in wet locations to UL and CSA standards.</p>



Streamline 6001P Midi Vertical Surface Wash

INTERIOR

MODEL	LAMP	VOLT	OPTIONS	COLOUR
6001P	150H [ⓔ] <i>metal halide</i> <small>16 g-12</small>	120*	FS <i>fuse kit</i>	WT <i>white texture</i>
	70H <i>metal halide</i> <small>16 g-12</small>	208	P (") <i>pendant length</i>	BT <i>black texture</i>
	39H <i>metal halide</i> <small>16 g-12</small>	240	WL <i>wet location listing</i>	SM <i>silver metallic</i>
		277		AN <i>aluminum natural</i>
		347		BZ <i>bronze</i>
				GM <i>gunmetal</i>
				WS <i>white satin</i>
				BM <i>black matte</i>
				RAL <i>specify no.</i>

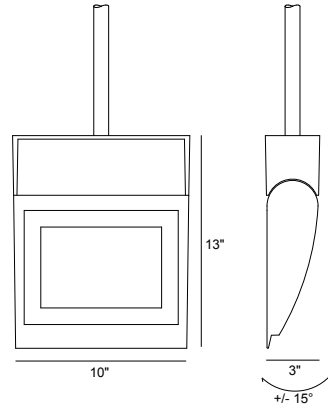
*Standard configuration unless otherwise specified

[ⓔ] EISA Compliant

SAMPLE CATALOG NUMBER: 6001P - 150H - 120 - P24 - WT

Using this catalog number would order 1 model 6001P midi vertical surface wash luminaire with a single 150 watt metal halide ballast wired to 120 volts with a 24" stem, painted white texture polyester powder coat. Lamps by others.

CONSTRUCTION	MOUNTING	OPTICAL	PROTECTION
<p>Materials Adjustable lamp housing: Cast aluminum. Ballast enclosure: Cast aluminum with top cover plate. Lens: Clear, tempered glass in cast aluminum gasketed frame. Asymmetric reflector system: Precision, die formed specular embossed aluminum. Mounting stem: Aluminum conduit.</p> <p>Electrical Components Ballast: HID 120 - 277V Electronic, -20°F start. HID 347V Magnetic core & coil, -20°F start.</p>	<p>The 6001P is designed to mount over top of a 4" recessed j-box in ceiling (by others). Canopy is 14" by 8" and matches the luminaire design features. Stem length needs to be specified.</p>	<p>The 6001P asymmetric reflector system provides even illumination on vertical walls. Head is adjustable + or - 15° to provide an aiming capability. Adjustment is concealed in the ballast compartment.</p>	<p>The 6001P is normally provided for indoor dry or damp locations to UL and CSA standards but, if ordered can be made suitable for wet locations to UL and CSA standards.</p>



Streamline 6000P Mini Vertical Surface Wash

INTERIOR

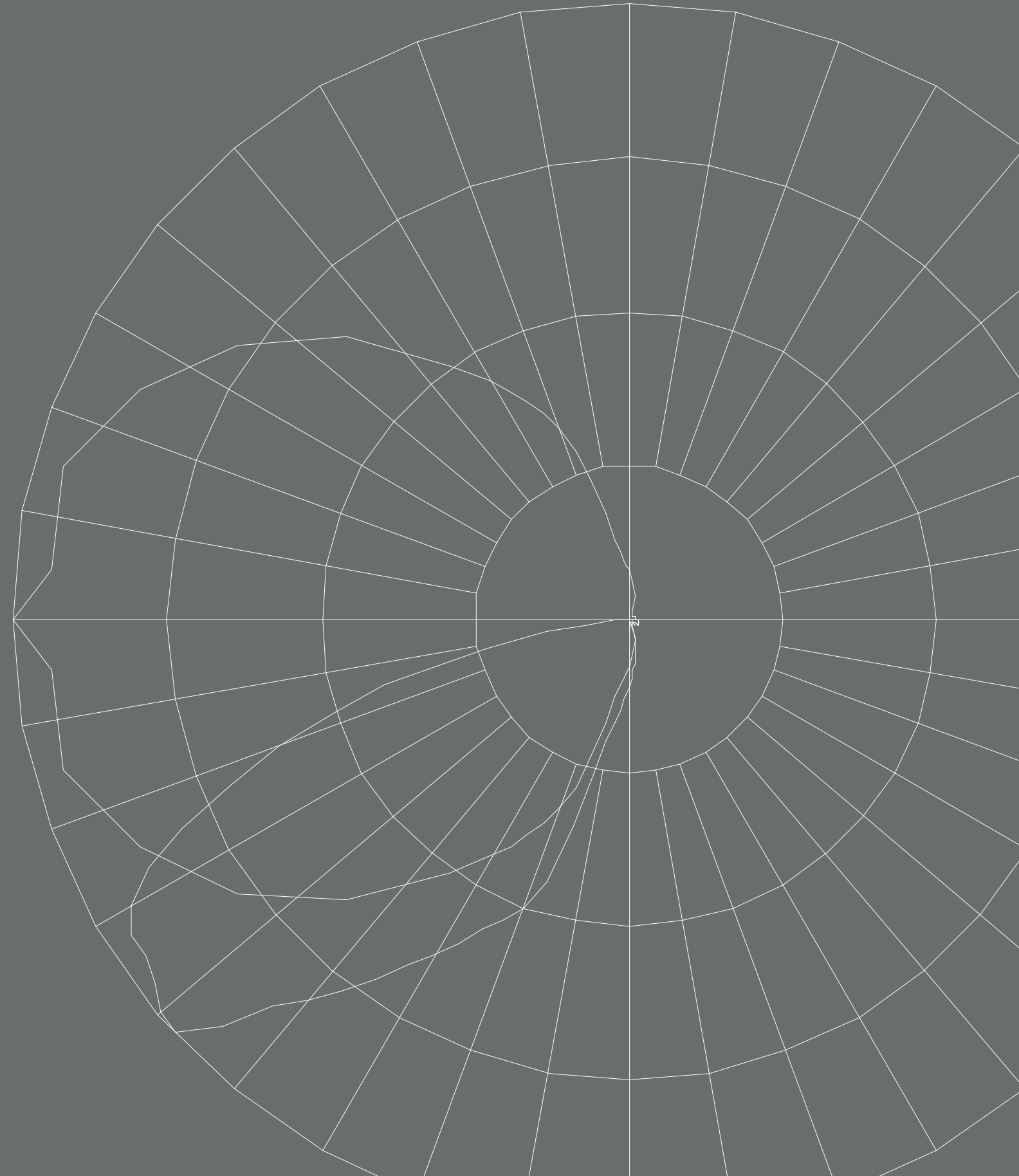
MODEL	LAMP	VOLT	OPTIONS	COLOUR
6000P	39H <i>metal halide</i> <small>t4 g8.5</small>	120*	P("_) <i>pendant length</i>	WT <i>white texture</i>
	20H <i>metal halide</i> <small>t4 g8.5</small>	208	FS <i>fuse kit</i>	BT <i>black texture</i>
	300I <i>halogen</i> <small>t4 g8.5</small>	240		SM <i>silver metallic</i>
	150I <i>halogen</i> <small>t4 r7s (3 1/8")</small>	277		AN <i>aluminum natural</i>
		347		BZ <i>bronze</i>
				GM <i>gunmetal</i>
				WS <i>white satin</i>
				BM <i>black matte</i>
				RAL <i>specify no.</i>

*Standard configuration unless otherwise specified

SAMPLE CATALOG NUMBER: 6000P - 39H - 120 - WT

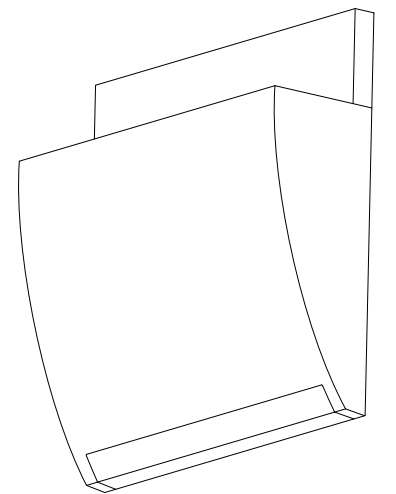
Using this catalog number would order 1 model 6000P mini vertical surface wash luminaire with a single 39 watt metal halide ballast wired to 120 volts, painted white texture polyester powder coat. Lamps by others.

CONSTRUCTION	MOUNTING	OPTICAL	PROTECTION
<p>Materials Adjustable lamp housing: Cast aluminum. Ballast enclosure: Cast aluminum with top cover plate. Lens: Industrex, tempered glass in captive frame (enclosed units only - MH, 150I). Asymmetric reflector system: Precision, die formed specular embossed aluminum. Mounting stem: Aluminum conduit.</p> <p>Electrical Components Ballast: HID - Electronic, 120V, 277V optional, -20°F start. Halogen - 120V only.</p>	<p>The 6000P vertical surface wash luminaire is designed to mount over a recessed 4" octagonal j-box (by others). Canopy is 12" x 5" and is designed to match the cast head assembly. Stem length needs to be specified.</p>	<p>The 6000P optical system is designed to evenly illuminate a vertical wall surface. Head is adjustable to allow a + or - 15° aiming adjustment. Adjustment mechanism is located inside ballast compartment.</p>	<p>The 6000P is listed for use in damp locations to UL and CSA standards.</p> <p>All units have a protective tempered glass cover and all units but the 300 watt version are gasketed to exclude any contaminants.</p>





STREAMLINE DECORATIVE SCONCE 6030D WALL MOUNT

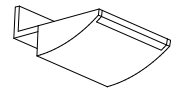


FAMILY
STREAMLINE
DECORATIVE SCONCES

**STREAMLINE
DECORATIVE SCONCES**

INTERIOR

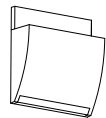
Wall Mount - Arm



6032Z

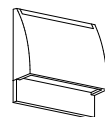
Mini

Wall Back Mount



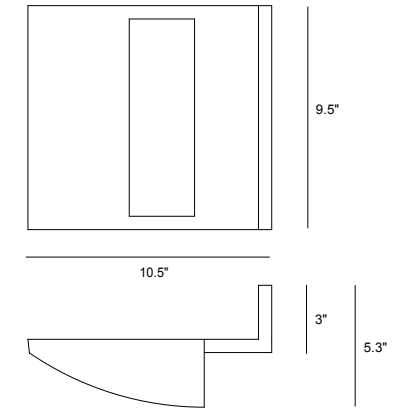
6030U

Mini



6030D

Mini



Streamline 6032Z Mini Wall Arm Uplight Sconce

INTERIOR

MODEL	LAMP	VOLT	OPTIONS	COLOUR
6032Z	20H <i>metal halide²</i>	120*	RDR <i>remote driver(consult factory)</i>	WT <i>white texture</i>
	126Q <i>t4 g8.5 compact fluorescent</i>	208	EM <i>remote battery pack(cf only)</i>	BT <i>black texture</i>
	118Q <i>dti 26w quad compact fluorescent</i>	240		SM <i>silver metallic</i>
	LED <i>dti 18w quad white led¹</i>	277		AN <i>aluminum natural</i>
	100I <i>6 x 1.2w halogen³</i>	347		BZ <i>bronze</i>
				GM <i>gunmetal</i>
				WS <i>white satin</i>
				BM <i>black matte</i>
				RAL <i>specify no.</i>

*Standard configuration unless otherwise specified

¹Only available in 120V

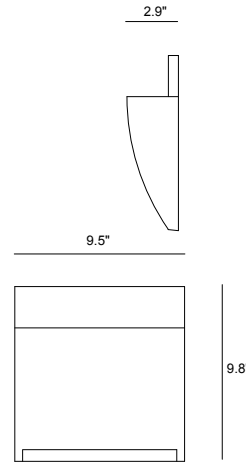
²Not available in 347V

³Open light reveal

SAMPLE CATALOG NUMBER: 6032Z - 20H - 120 - WT

Using this catalog number would order 1 model 6032Z mini wall arm uplight sconce with a single 20 watt metal halide ballast wired to 120 volts, painted white texture polyester powder coat. Lamps by others.

CONSTRUCTION	MOUNTING	OPTICAL	PROTECTION
<p>Materials Housing: Pressure die cast aluminum. Light reveal: Frost acrylic. Lens: Prismatic glass - industrex. Light reveal: Opal Acrylic</p> <p>Electrical Components Ballast: HID - Electronic, 120V, 277V optional, -20°F start. CF - Electronic, <10% THD, variable input 120 to 277 volts, 0°F start. LED - 120 volt supply integral drive. Halogen - 120V only.</p>	<p>The 6032Z is meant for wall surface mounting over a recessed FS box that is horizontally oriented.</p>	<p>The 6032Z luminaire provides uplight with a backplash of light behind unit on wall. An evenly lighted nose reveal provides a unique feature.</p>	<p>The 6032Z is listed for use in damp/dry locations to UL and CSA standards.</p>



Streamline 6030U Mini Wall Mount Sconce - Uplight

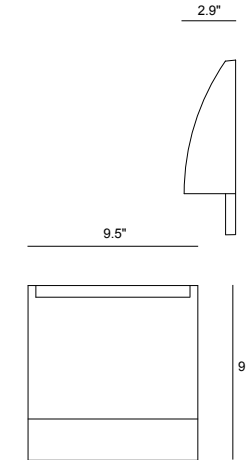
INTERIOR

MODEL	LAMP	VOLT	OPTIONS	COLOUR
6030U	20H <i>metal halide²</i>	120*	RDR <i>remote led driver(consult factory)</i>	WT <i>white texture</i>
	126Q <i>compact fluorescent</i> <small>t4 g8.5</small>	208	EM <i>remote battery pack(cf only)</i>	BT <i>black texture</i>
	118Q <i>compact fluorescent</i> <small>dtl 26w quad</small>	240		SM <i>silver metallic</i>
	LED <i>white led¹</i> <small>dtl 18w quad</small>	277		AN <i>aluminum natural</i>
	100I <i>halogen³</i> <small>6 x 1.2w</small>	347		BZ <i>bronze</i>
				GM <i>gunmetal</i>
				WS <i>white satin</i>
				BM <i>black matte</i>
				RAL <i>specify no.</i>

*Standard configuration unless otherwise specified ¹Only available in 120V ²Not available in 347V ³Open light reveal

SAMPLE CATALOG NUMBER: 6030U - 20H - 120 - WT
Using this catalog number would order 1 model 6030U mini wall mount sconce with a single 20 watt metal halide ballast wired to 120 volts, painted white texture polyester powder coat. Lamps by others.

CONSTRUCTION	MOUNTING	OPTICAL	PROTECTION
<p>Materials Lamp housing: Pressure die cast aluminum. Light reveal: Frost acrylic. Lens: Prismatic glass - Industrex. Light reveal: Opal Acrylic</p> <p>Electrical Components Ballast: HID - Electronic, 120V, 277V optional, -20°F start. CF - Electronic, <10% THD, variable input 120 to 277 volts, 0°F start. LED - 120 volt supply integral drive. Halogen - 120V only.</p>	<p>The 6030U luminaire is designed to mount over a recessed 4" j-box. A universal mounting plate allows leveling. The unit attaches to a mounting plate that is fixed to the j-box. Two stainless steel set screws lock the luminaire to the mounting plate.</p>	<p>The 6030U luminaire is designed to provide even upward light softly illuminating the downlight reveal strip.</p>	<p>The 6030U luminaire is listed for use damp/dry locations to UL and CSA standards. ADA compliant.</p>



Streamline 6030D Mini Wall Mount Sconce - Downlight

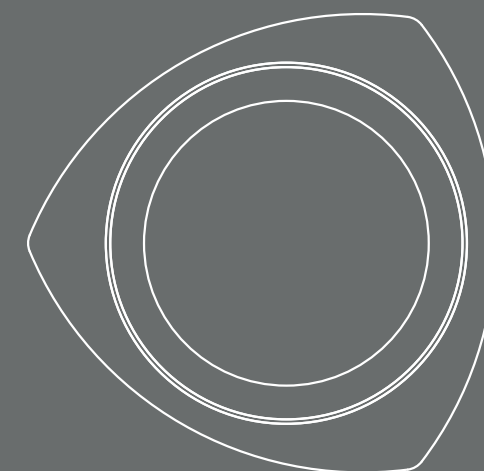
INTERIOR

MODEL	LAMP	VOLT	OPTIONS	COLOUR
6030D	20H <i>metal halide²</i>	120*	RDR <i>remote led driver(consult factory)</i>	WT <i>white texture</i>
	126Q <i>compact fluorescent</i> <small>t4 g8.5</small>	208	EM <i>remote battery pack(cf only)</i>	BT <i>black texture</i>
	118Q <i>compact fluorescent</i> <small>dtl 26w quad</small>	240		SM <i>silver metallic</i>
	LED <i>white led¹</i> <small>dtl 18w quad</small>	277		AN <i>aluminum natural</i>
	100I <i>halogen³</i> <small>6 x 1.2w</small>	347		BZ <i>bronze</i>
				GM <i>gunmetal</i>
				WS <i>white satin</i>
				BM <i>black matte</i>
				RAL <i>specify no.</i>

*Standard configuration unless otherwise specified ¹Only available in 120V ²Not available in 347V ³Open light reveal

SAMPLE CATALOG NUMBER: 6030D - 20H - 120 - WT
Using this catalog number would order 1 model 6030D mini wall mount sconce with a single 20 watt metal halide ballast wired to 120 volts, painted white texture polyester powder coat. Lamps by others.

CONSTRUCTION	MOUNTING	OPTICAL	PROTECTION
<p>Materials Lamp housing: Pressure die cast aluminum. Light reveal: Frost acrylic. Lens: Prismatic glass - Industrex. Light reveal: Opal Acrylic</p> <p>Electrical Components Ballast: HID - Electronic, 120V, 277V optional, -20°F start. CF - Electronic, <10% THD, variable input 120 to 277 volts, 0°F start. LED - 120 volt supply integral drive. Halogen - 120V only.</p>	<p>The 6030D luminaire is designed to mount over a recessed 4" j-box. A universal mounting plate allows leveling. The unit attaches to a mounting plate that is fixed to the j-box. Two stainless steel set screws lock the luminaire to the mounting plate.</p>	<p>The 6030D luminaire is designed to provide even downlight illumination softly illuminating the uplight reveal strip.</p>	<p>The 6030D luminaire is listed for use damp/dry locations to UL and CSA standards. ADA compliant.</p>



CYL-003



REBELLE
ARCHITECTURAL
LIGHTING

PADRE DAM SANTEE, CA
WALL GRAZER UP/DOWN LIGHT7000

CYL-003

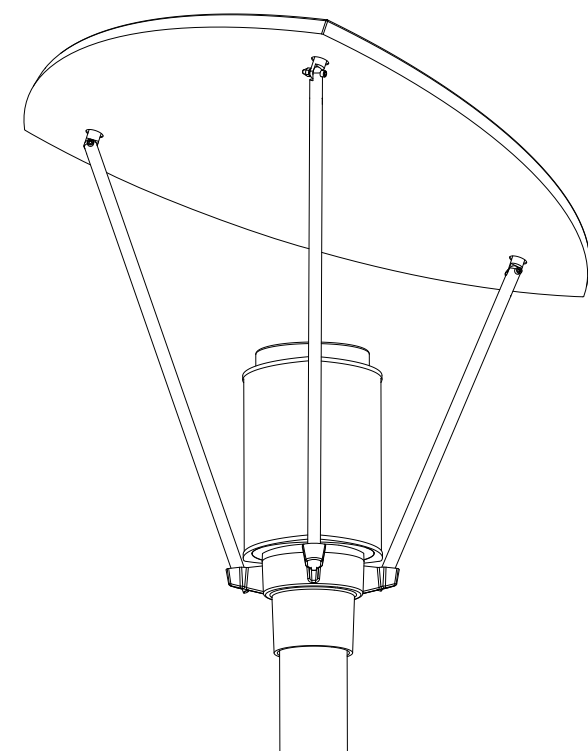


REBELLE
ARCHITECTURAL
LIGHTING

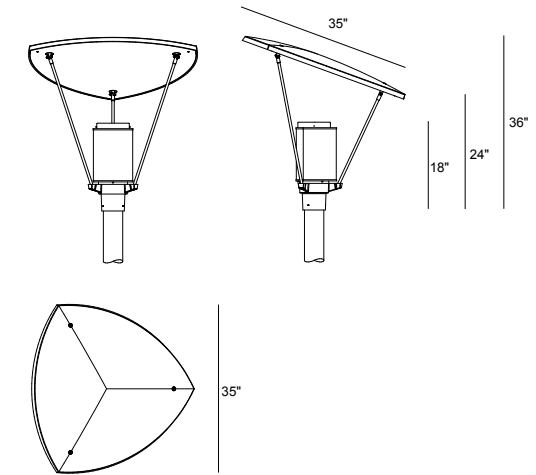
WALL GRAZER UP/DOWN LIGHT **7000** 1
WALL MOUNT UP/DOWN LIGHT **7100** 2
INDIRECT ASYMMETRIC POST TOP **7600** 3
WALL GRAZER UP/DOWN LIGHT **7000** 4



CYL-003 7601 INDIRECT POST TOP



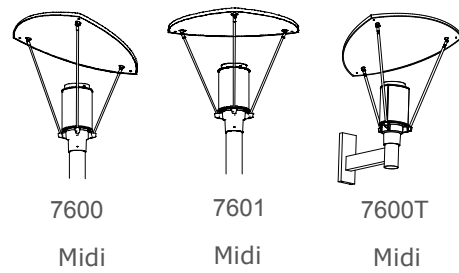
FAMILY
CYL-003



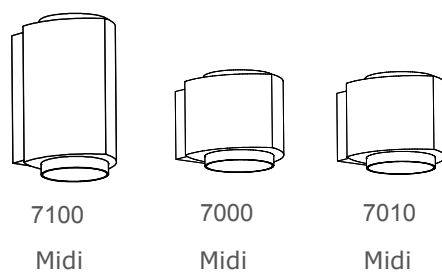
CYL-003

EXTERIOR

Post Top or Wall Arm - Indirect

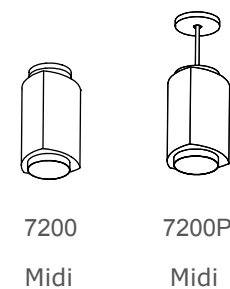


Wall Mount



INTERIOR

Ceiling Mount



CYL-003 7600 Indirect Streetscape Post Top - Asymmetric Distribution

EXTERIOR

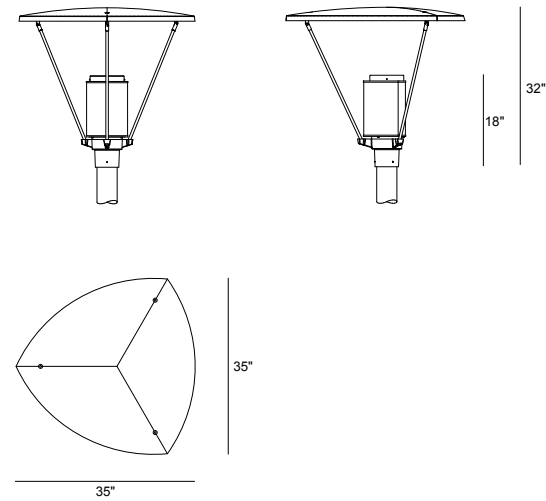
MODEL	LAMP	VOLT	COLOUR
7600	150H ceramic metal halide t6 g-12	120*	WT white texture
	70H ceramic metal halide t6 g-12	208	BT black texture
	39H ceramic metal halide t6 g-12	240	SM silver metallic
		277	AN aluminum natural
		347	BZ bronze
			GM gunmetal
			WS white satin
			BM black matte
			RAL specify no.

**Standard configuration unless otherwise specified*

SAMPLE CATALOG NUMBER: 7600 - 150H - 120 - WT

Using this catalog number would order 1 model 7600 indirect asymmetric post top with a single 150 watt ceramic metal halide ballast wired to 120 volt, painted white texture polyester powder coat. Poles supplied separately. Lamps by others.

CONSTRUCTION	MOUNTING	OPTICAL	PROTECTION
<p>Materials Shade: One piece, marine grade cast aluminum. Reflector: White powder coated, aluminum. Arms: Brushed stainless steel tube. Housing: Die formed aluminum. Reflector: Embossed, specular high reflectance aluminum. Lens: Industrex, tempered glass. Pole fitter: One piece, marine grade, cast aluminum.</p> <p>Electrical Components Ballast: HID 120 - 277V Electronic(39 & 70w), -20°F start. HID(347V & 150w) Magnetic core & coil, -20°F start.</p>	<p>The 7600 is designed to mount to a 4" overall diameter pole or tenon. Tenon to be 4" long or more. Six 1/4 - 20 stainless steel set screws are provided.</p>	<p>High CRI ceramic metal halide lamps are used with a segmented hammertone, specular aluminum reflector system. Light is redirected asymmetrically by the high gloss white polyester powder coat reflector on the under side of the decorative shade. Classification is semi-cutoff.</p>	<p>The 7600 is listed for use in wet locations to UL and CSA standards. Windloading EPA = 3.73 sq. ft.</p>



CYL-003 7601 Indirect Streetscape Post Top - Symmetric Distribution

EXTERIOR

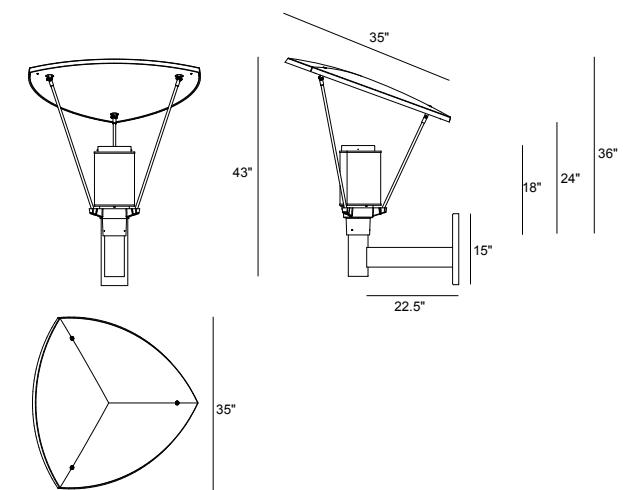
MODEL	LAMP	VOLT	COLOUR
7601	150H <i>ceramic metal halide</i> <small>16 g-12</small>	120*	WT <i>white texture</i>
	70H <i>ceramic metal halide</i> <small>16 g-12</small>	208	BT <i>black texture</i>
	39H <i>ceramic metal halide</i> <small>16 g-12</small>	240	SM <i>silver metallic</i>
		277	AN <i>aluminum natural</i>
		347	BZ <i>bronze</i>
			GM <i>gunmetal</i>
			WS <i>white satin</i>
			BM <i>black matte</i>
			RAL <i>specify no.</i>

*Standard configuration unless otherwise specified

SAMPLE CATALOG NUMBER: 7601 - 150H - 120 - WT

Using this catalog number would order 1 model 7601 indirect symmetric post top with a single 150 watt ceramic metal halide ballast wired to 120 volt, painted white texture polyester powder coat. Poles supplied separately. Lamps by others.

CONSTRUCTION	MOUNTING	OPTICAL	PROTECTION
<p>Materials Shade: One piece, marine grade cast aluminum. Reflector: White powder coated, aluminum. Arms: Brushed stainless steel tube. Housing: Die formed aluminum. Reflector: Embossed, specular high reflectance aluminum. Lens: Industrex, tempered glass. Pole fitter: One piece, marine grade, cast aluminum.</p> <p>Electrical Components Ballast: HID 120 - 277V Electronic(39 & 70w), -20°F start. HID(347V & 150w) Magnetic core & coil, -20°F start.</p>	<p>The 7601 is designed to mount to a 4" overall diameter pole or tenon. Tenon to be 4" long or more. Six 1/4 - 20 stainless steel set screws are provided.</p>	<p>High CRI ceramic metal halide lamps are used with a segmented hammertone, specular aluminum reflector system. Light is redirected downward by the high gloss white polyester powder coat reflector on the under side of the decorative shade. Classification is cutoff.</p>	<p>The 7601 is listed for use in wet locations to UL and CSA standards. Windloading EPA = 1.83 sq. ft.</p>



CYL-003 7600T Indirect Wall Arm - Asymmetric Distribution

EXTERIOR

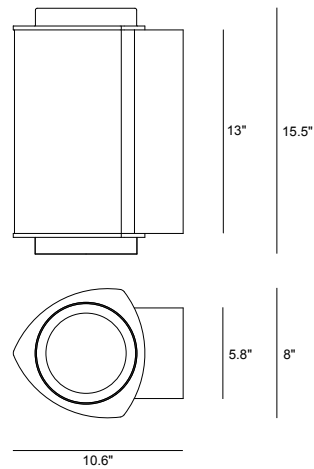
MODEL	LAMP	VOLT	COLOUR
7600T	150H <i>ceramic metal halide</i> <small>16 g-12</small>	120*	WT <i>white texture</i>
	70H <i>ceramic metal halide</i> <small>16 g-12</small>	208	BT <i>black texture</i>
	39H <i>ceramic metal halide</i> <small>16 g-12</small>	240	SM <i>silver metallic</i>
		277	AN <i>aluminum natural</i>
		347	BZ <i>bronze</i>
			GM <i>gunmetal</i>
			WS <i>white satin</i>
			BM <i>black matte</i>
			RAL <i>specify no.</i>

*Standard configuration unless otherwise specified

SAMPLE CATALOG NUMBER: 7600T - 150H - 120 - WT

Using this catalog number would order 1 model 7600T indirect asymmetric wall arm luminaire with a single 150 watt ceramic metal halide ballast wired to 120 volt, painted white texture polyester powder coat. Lamps by others.

CONSTRUCTION	MOUNTING	OPTICAL	PROTECTION
<p>Materials Shade: One piece, marine grade cast aluminum. Reflector: White powder coated, aluminum. Arms: Brushed stainless steel tube. Housing: Die formed aluminum. Lens: Industrex, tempered glass. Wall arm: Extruded aluminum arm.</p> <p>Electrical Components Ballast: 39w and 70w HID 120 - 277V Electronic, -20°F start. All 347V and 150w 120V-347V HID Magnetic core & coil, -20°F start.</p>	<p>The 7600T is a wall mounting base down indirect luminaire. Luminaire is mounted to a wall surface with a recessed 4" j-box. A heavy gauge mounting plate is utilized to allow unit to hook over the top flange and lock to the bottom using stainless steel set screws.</p>	<p>High CRI ceramic metal halide lamps are used with a segmented hammertone, specular aluminum reflector system. Light is redirected asymmetrically by the high gloss white polyester powder coat reflector on the under side of the decorative shade. Classification is semi-cutoff.</p>	<p>The 7600T is listed for use in wet locations to UL and CSA standards.</p>



CYL-003 7100 Wall Mount Up/Down Light

EXTERIOR

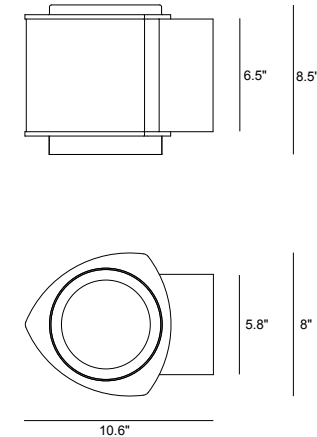
MODEL	LAMP	VOLT	OPTIONS	COLOUR
7100	150H <i>ceramic metal halide</i> <small>16 g-12</small>	120*	AUX <i>auxiliary lighting system - quartz restrrike</i>	WT <i>white texture</i>
	70H <i>ceramic metal halide</i> <small>16 g-12</small>	208	TC <i>top cover (downlight only)</i>	BT <i>black texture</i>
	39H <i>ceramic metal halide</i> <small>16 g-12</small>	240		SM <i>silver metallic</i>
		277		AN <i>aluminum natural</i>
		347		BZ <i>bronze</i>
				GM <i>gunmetal</i>
				WS <i>white satin</i>
				BM <i>black matte</i>
				RAL <i>specify no.</i>

*Standard configuration unless otherwise specified

SAMPLE CATALOG NUMBER: 7100 - 150H - 120 - WT

Using this catalog number would order 1 model 7100 wall mount up/down luminaire, with a single 150 watt ceramic metal halide ballast wired to 120 volt, painted white texture polyester powder coat. Lamps by others.

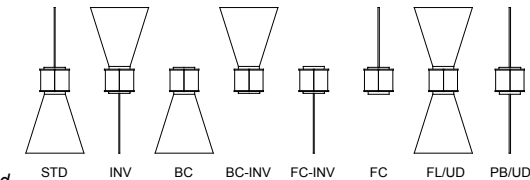
CONSTRUCTION	MOUNTING	OPTICAL	PROTECTION
<p>Materials Housing / ballast arm: Die formed aluminum. Top / bottom plates: Machined aluminum. Lenses: Industrex, tempered glass shield. Reflector: Embossed, high reflectance, specular aluminum.</p> <p>Electrical Components Ballast: HID 120 - 277V Electronic, -20°F start. HID 347V Magnetic core & coil, -20°F start.</p>	<p>The 7100 series is designed for wall mounting. A heavy gauge mounting plate is secured to the wall and mounted independently of the recessed 4" octagon j-box (by others). The main housing hooks on to the mounting plate and is secured by two stainless steel set screws. Silicone seal is required to seal across the back of the ballast arm and down the sides to exclude moisture from entering the ballast compartment.</p>	<p>The 7100 optical system features a segmented hammertone aluminum up/down reflector system that utilizes a single T6/G12 lamp. This double reflector system provides the up/down lighting function.</p>	<p>The 7100 series is listed for use in wet locations to UL and CSA Standards.</p>



CYL-003 7000 Wall Grazer Up/Down Light

EXTERIOR

MODEL	LAMP	VOLT	OPTICS	OPTIONS	COLOUR
7000	150H <i>ceramic metal halide</i> <small>16 g-12</small>	120*	STD* <i>standard beam up - flood down</i>	F <i>fusing</i>	WT <i>white texture</i>
	70H <i>ceramic metal halide</i> <small>16 g-12</small>	208	INV <i>flood up - beam down</i>		BT <i>black texture</i>
	39H <i>ceramic metal halide</i> <small>16 g-12</small>	240	BC <i>beam cover - flood down</i>		SM <i>silver metallic</i>
		277	BC-INV <i>beam cover - flood up</i>		AN <i>aluminum natural</i>
		347	FC-INV <i>flood cover - beam down</i>		BZ <i>bronze</i>
			FC <i>flood cover - beam up</i>		GM <i>gunmetal</i>
			FL/UD <i>flood up - flood down</i>		WS <i>white satin</i>
			PB/UD <i>beam up - beam down</i>		BM <i>black matte</i>
					RAL <i>specify no.</i>

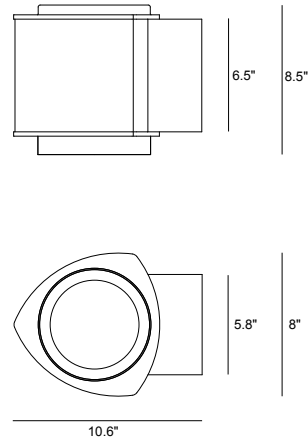


*Standard configuration unless otherwise specified

SAMPLE CATALOG NUMBER: 7000 - 150H - 120 - STD - WT

Using this catalog number would order 1 model 7000 wall grazer, with a pencil beam up and flood down configuration, with a single 150 watt ceramic metal halide ballast wired to 120 volt, painted white texture polyester powder coat. Lamps by others.

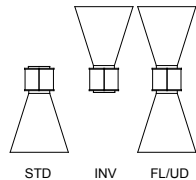
CONSTRUCTION	MOUNTING	OPTICAL	PROTECTION
<p>Materials Side panels / Ballast housing: Marine grade, die formed aluminum. Top / Bottom plates: Machined aluminum. Reflector: High purity, anodized aluminum. Beam optical assembly: Magnifier and slotted aperture lens of industrex, tempered glass. Flood optical assembly: Industrex, tempered glass.</p> <p>Electrical Components Ballast: HID 39W / 70W - 120 - 277V Electronic, -20°F start. HID - 347V and 150W 120 - 347V Magnetic core & coil, -20°F start.</p>	<p>The 7000 series is designed for wall mounting over a 4" octagonal j-box. A heavy gauge mounting plate is attached to the j-box and wall if necessary. Unit hooks on to the mounting plate and is secured with two stainless steel set screws. Silicone seal is required across the top of the ballast arm and down each side to exclude moisture in exterior applications.</p>	<p>The pencil beam is created using a proprietary magnifier lens and slotted aperture, which is precisely located in relation to the ceramic metal halide arc tube. The flood distribution is created by a high purity anodized aluminum reflector which is designed to provide a flood distribution with minimal lighting on the back wall.</p>	<p>The 7000 series is listed for use in wet locations to UL and CSA Standards.</p>



CYL-003 7010 Compact Fluorescent Up/Down Light

EXTERIOR

MODEL	LAMP	VOLT	OPTICS	COLOUR
7010	142T <i>compact fluorescent 42w ttt triple</i>	120*	STD* <i>standard - flood down</i>	WT <i>white texture</i>
	132T <i>compact fluorescent 32w/26w ttt triple</i>	208	INV <i>flood up</i>	BT <i>black texture</i>
		240	FL/UD <i>flood up - flood down</i>	SM <i>silver metallic</i>
		277		AN <i>aluminum natural</i>
		347		BZ <i>bronze</i>
				GM <i>gunmetal</i>
				WS <i>white satin</i>
				BM <i>black matte</i>
				RAL <i>specify no.</i>

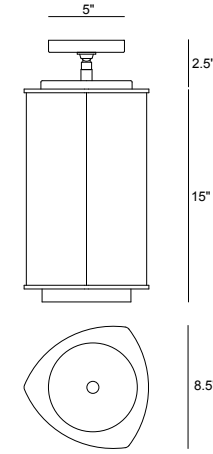


*Standard configuration unless otherwise specified

SAMPLE CATALOG NUMBER: 7010 - 142T - 120 - STD - WT

Using this catalog number would order 1 model 7010 compact fluorescent up/down wall mount luminaire in the standard flood down configuration, with a single 42 watt compact fluorescent ballast wired to 120 volts, painted white texture polyester powder coat. Lamps by others.

CONSTRUCTION	MOUNTING	OPTICAL	PROTECTION
<p>Materials Housing / ballast arm: Die formed aluminum. Top / bottom plates: Machined aluminum. Lenses: Industrex, tempered glass shield. Reflector: Embossed, high reflectance, specular aluminum.</p> <p>Electrical Components Ballast: CF Electronic, <10% THD, variable input 120 to 277 volts, 0°F start.</p>	<p>The 7010 series is designed for wall mounting. A heavy gauge mounting plate is secured to the wall and mounted independently of the recessed 4" octagon j-box (by others). The main housing hooks on to the mounting plate and is secured by two stainless steel set screws. Silicone seal is required to seal across the back of the ballast arm and down the sides to exclude moisture from entering the ballast compartment.</p>	<p>The 7010 luminaire features a horizontally oriented compact fluorescent triple tube lamp. A hammertone specular aluminum reflector ensures maximum efficiency.</p>	<p>The 7010 series is listed for use in wet locations to UL and CSA Standards.</p>



CYL-003 7200 Ceiling Mount Downlight

INTERIOR

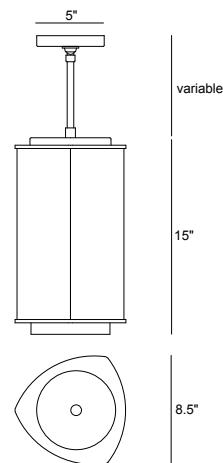
MODEL	LAMP	VOLT	MOUNTING	OPTIONS	COLOUR
7200	70H <i>ceramic metal halide 16 g-12</i>	120*	SW* <i>hangstraight swivel mount +/- 5°</i>	WL <i>wet location listing</i>	WT <i>white texture</i>
	39H <i>ceramic metal halide 16 g-12</i>	208	C86 <i>ball aligner hanger mount +/-45°</i>		BT <i>black texture</i>
	142T <i>compact fluorescent 42w ttt triple</i>	240			SM <i>silver metallic</i>
	132T <i>compact fluorescent 32w/26w ttt triple</i>	277			AN <i>aluminum natural</i>
		347			BZ <i>bronze</i>
					GM <i>gunmetal</i>
					WS <i>white satin</i>
					BM <i>black matte</i>
					RAL <i>specify no.</i>

*Standard configuration unless otherwise specified

SAMPLE CATALOG NUMBER: 7200 - 70H - 120 - SW - WT

Using this catalog number would order 1 model 7200 ceiling mount downlight luminaire, with a single 70 watt ceramic metal halide ballast wired to 120 volt with a +/-5° hangstraight swivel, painted white texture polyester powder coat. Lamps by others.

CONSTRUCTION	MOUNTING	OPTICAL	PROTECTION
<p>Materials Side panels: Die formed aluminum. Top / bottom plates: Machined aluminum. Lens: Industrex, tempered glass shield. Reflector: Embossed, high reflectance, specular aluminum. Canopy: Aluminum. Hangstraight swivel: Nickel plated, +/- 5°.</p> <p>Electrical Components Ballast: Integral, HID 120 - 277V Electronic, -20°F start. HID 347V Magnetic core & coil, -20°F start. CF Electronic, 0°F start.</p>	<p>The 7200 is designed to mount to a recessed 4" octagon j-box. For wet locations luminaire must be restrained from wind action. Special hanger or restraint required.</p>	<p>The 7200 is designed for vertical lamp orientation and features a segmented hammertone, specular aluminum reflector for maximum efficiency. Lens is tempered, prismatic industrex glass.</p>	<p>The 7200 series is listed for use in indoor dry/damp locations to UL and CSA standards. Wet location listing is available as an option.</p>



CYL-003 7200P Pendant Mount Downlight

INTERIOR

MODEL	LAMP	VOLT	MOUNTING	OPTIONS	COLOUR
7200P	70H <i>ceramic metal halide</i> 16 g-12	120*	SW* <i>hangstraight swivel mount +/- 5°</i>	WL <i>wet location listing</i>	WT <i>white texture</i>
	39H <i>ceramic metal halide</i> 16 g-12	208	C86 <i>ball aligner hanger mount +/-45°</i>	P("_") <i>pendant length</i>	BT <i>black texture</i>
	142T <i>compact fluorescent</i> 16 g-12	240			SM <i>silver metallic</i>
	132T <i>compact fluorescent</i> 42w ttt triple	277			AN <i>aluminum natural</i>
		347			BZ <i>bronze</i>
					GM <i>gunmetal</i>
					WS <i>white satin</i>
					BM <i>black matte</i>
					RAL <i>specify no.</i>

*Standard configuration unless otherwise specified

SAMPLE CATALOG NUMBER: 7200P - 70H - 120 - SW - P24 - WT

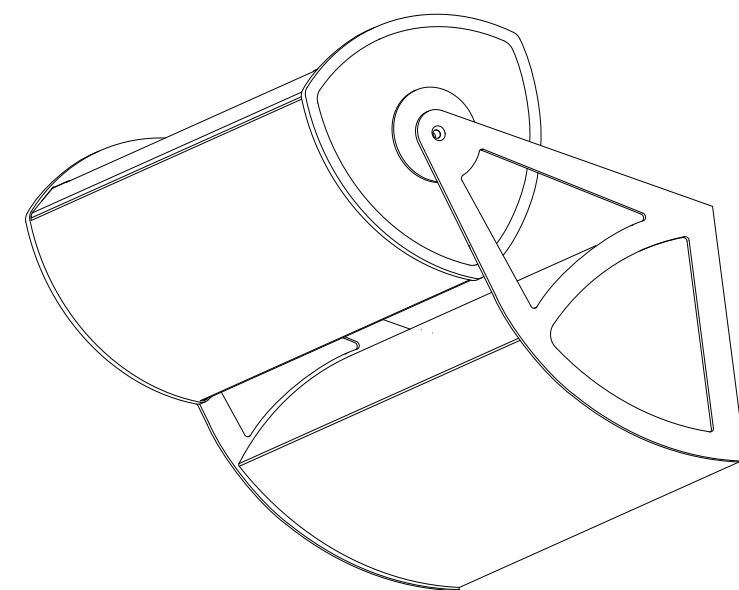
Using this catalog number would order 1 model 7200P pendant mount downlight luminaire, with a single 70 watt ceramic metal halide ballast wired to 120 volt with a +/-5° hangstraight swivel and a pendant length of 24", painted white texture polyester powder coat. Lamps by others.

CONSTRUCTION	MOUNTING	OPTICAL	PROTECTION
<p>Materials</p> <p>Side panels: Die formed aluminum.</p> <p>Top / bottom plates: Machined aluminum. Lens: Industrex, tempered glass shield. Reflector: Embossed, high reflectance, specular aluminum. Hangstraight swivel: Nickel plated, +/- 5°. Stem: Steel tubing. Canopy: Aluminum.</p> <p>Electrical Components</p> <p>Ballast: Integral, HID 120 - 277V Electronic, -20°F start. HID 347V Magnetic core & coil, -20°F start. CF Electronic, 0°F start, (10% THD)</p>	<p>The 7200P is designed for pendant stem mounting. Canopy covers a recessed 4" octagon j-box. A swivel hanger is provided as standard. A 45° hanger is optional. For wet locations luminaire must be restrained from wind action. Special hanger or restraint required.</p>	<p>The 7200P is designed for vertical lamp orientation and features a segmented hammertone, specular aluminum reflector for maximum efficiency. Lens is tempered, prismatic industrex glass.</p>	<p>The 7200P series is listed for use in indoor dry/damp locations to UL and CSA standards. Wet location listing is available as an option.</p>





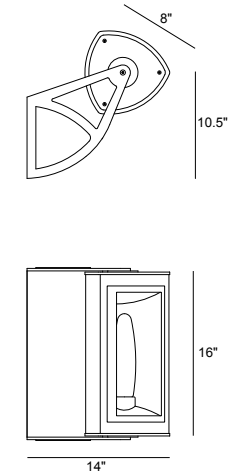
CYL-003 ASYMMETRIC INDIRECT 7501 WALL OR CEILING WASH



FAMILY
CYL-003
ASYMMETRIC INDIRECT



Integral ballast configuration



CYL-003 7500 Indirect Asymmetric Wall or Ceiling Wash

INTERIOR

MODEL	LAMP	VOLT	MOUNTING	OPTICS	OPTIONS	COLOUR
7500	320H metal halide t15 mogul	120*	HW* horizontal (ceiling) wash	CV cut off visor	AUX auxiliary lighting control - quartz restrrike	WT white texture
	250H metal halide t15 mogul	208	VW vertical (wall) wash		EE epoxy encapsulated ballast	BT black texture
	200H metal halide t15 mogul	240				SM silver metallic
		277				AN aluminum natural
		347				BZ bronze
						GM gunmetal
						WS white satin
						BM black matte
						RAL specify no.

*Standard configuration unless otherwise specified EISA Compliant

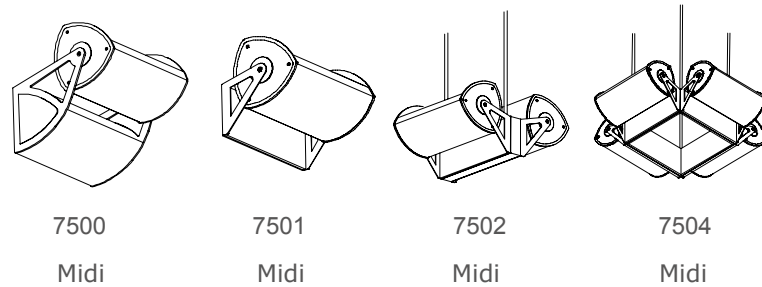
SAMPLE CATALOG NUMBER: 7500 - 320H - 120 - HW - WT

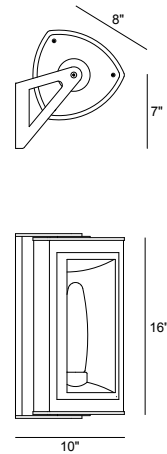
Using this catalog number would order 1 model 7500 indirect asymmetric ceiling wash luminaire, with a single, integral 320 watt metal halide ballast wired to 120 volt and painted white texture polyester powder coat. Lamps by others.

CONSTRUCTION	MOUNTING	OPTICAL	PROTECTION
<p>Materials Lamp and ballast housing: Die formed aluminum. End plates: Machined aluminum. Lens: Clear, tempered glass in a captive lens frame. Reflector: Embossed, high reflectance, specular aluminum. Side arms: Aluminum.</p> <p>Electrical Components Ballast: Integral, HID Magnetic core & coil, -20°F start.</p>	<p>The 7500 is designed for wall mounting over a recessed 4" octagon j-box. A heavy gauge mounting plate secures the luminaire to the wall surface and allows for fastening outside of the j-box. Ballast is integral and contained on the back plate. A decorative cover maintains the triangular lamp housing appearance.</p>	<p>The 7500 luminaire is fitted with a highly efficient specular aluminum hammertone reflector to wash horizontal ceiling planes or, alternatively, vertical wall surfaces. Head is adjustable a total of 90° to allow illumination of deeper ceiling cavities. A cut off visor is offered to restrict viewing of the aperture when unit is mounted at low mounting heights and aimed to wash a shallow ceiling plane.</p>	<p>The 7500 is listed for use in dry/damp locations to UL and CSA standards.</p>

CYL-003 ASYMMETRIC INDIRECT

INTERIOR





Remote ballast configuration

CYL-003 7501 Indirect Asymmetric Wall or Ceiling Wash

INTERIOR

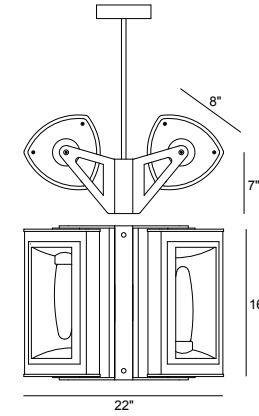
MODEL	LAMP	VOLT	MOUNTING	OPTICS	OPTIONS	COLOUR
7501	320H metal halide <small>t15 mogul</small>	120*	HW* horizontal (ceiling) wash	CV cut off visor	AUX auxiliary lighting control - quartz restrike	WT white texture
	250H metal halide <small>t15 mogul</small>	208	VW vertical (wall) wash			BT black texture
	200H metal halide <small>t15 mogul</small>	240				SM silver metallic
		277				AN aluminum natural
		347				BZ bronze
						GM gunmetal
						WS white satin
						BM black matte
						RAL specify no.

*Standard configuration unless otherwise specified EISA Compliant

SAMPLE CATALOG NUMBER: 7501 - 320H - 120 - HW - WT

Using this catalog number would order 1 model 7501 indirect asymmetric ceiling wash luminaire, with a single 320 watt remote metal halide ballast wired to 120 volt and painted white texture polyester powder coat. Lamps by others.

CONSTRUCTION	MOUNTING	OPTICAL	PROTECTION
<p>Materials Lamp housing: Die formed aluminum. End plates: Machined aluminum. Lens: Clear, tempered glass in a captive lens frame. Reflector: Embossed, high reflectance, specular aluminum. Side arms: Aluminum.</p> <p>Electrical Components Ballast: Remote, HID Magnetic core & coil, -20°F start.</p>	<p>The 7501 is designed for wall mounting over a recessed 4" octagon j-box. A heavy gauge mounting plate secures the luminaire to the wall surface and allows for fastening outside of the j-box. Ballast is supplied in a remote mounting box with integral splice compartment and mounting feet. A long distance ignitor is provided to allow lamp to ballast distance of up to 50 feet.</p>	<p>The 7501 luminaire is fitted with a highly efficient specular aluminum hammertone reflector to wash horizontal ceiling planes or, alternatively, vertical wall surfaces. Head is adjustable a total of 90° to allow illumination of deeper ceiling cavities. A cut off visor is offered to restrict viewing of the aperture when unit is mounted at low mounting heights and aimed to wash a shallow ceiling plane.</p>	<p>The 7501 is listed for use in dry/damp locations to UL and CSA standards.</p>



Single luminaire shown - pendant configuration uses two 7501 luminaires with twin pendant assembly.

CYL-003 7502 Indirect Asymmetric Twin Pendant

INTERIOR

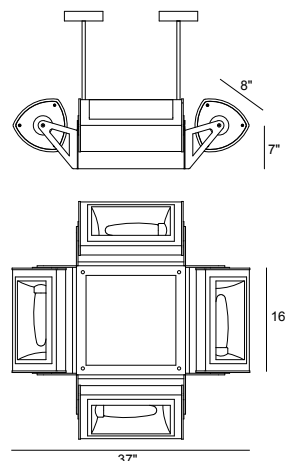
MODEL	LAMP	VOLT	MOUNTING	OPTICS	OPTIONS	COLOUR
7502	320H metal halide <small>t15 mogul</small>	120*	HW* horizontal (ceiling) wash	CV cut off visor	AUX auxiliary lighting control - quartz restrike	WT white texture
	250H metal halide <small>t15 mogul</small>	208	VW* vertical (wall) wash		P("_) pendant length	BT black texture
	200H metal halide <small>t15 mogul</small>	240				SM silver metallic
		277				AN aluminum natural
		347				BZ bronze
						GM gunmetal
						WS white satin
						BM black matte
						RAL specify no.

*Standard configuration unless otherwise specified EISA Compliant

SAMPLE CATALOG NUMBER: 7502 - 320H - 120 - HW - WT

Using this catalog number would order 1 model 7502 indirect asymmetric twin pendant ceiling wash luminaire, with two 320 watt remote metal halide ballasts wired to 120 volt and painted white texture polyester powder coat. Lamps by others.

CONSTRUCTION	MOUNTING	OPTICAL	PROTECTION
<p>Materials Lamp housing: Die formed aluminum. End plates: Machined aluminum. Lens: Clear, tempered glass in a captive lens frame. Reflector: Embossed, high reflectance, specular aluminum. Side arms: Aluminum.</p> <p>Electrical Components Ballast: Remote, HID Magnetic core & coil, -20°F start.</p>	<p>The 7502 is designed to be pendant mounted over top of a 4" recessed octagon j-box. Luminaire is suspended by .5" diameter steel stems. Rectangular canopy covers mounting plate. Ballast is supplied in a remote mounting box (2 required). Box has integral splice compartment and mounting feet. A long distance ignitor is provided to allow lamp to ballast distance of up to 50 feet.</p>	<p>The 7502 luminaire is fitted with a highly efficient specular aluminum hammertone reflector to wash horizontal ceiling planes or, alternatively, vertical wall surfaces. Head is adjustable a total of 90° to allow illumination of deeper ceiling cavities. A cut off visor is offered to restrict viewing of the aperture when unit is mounted at low mounting heights and aimed to wash a shallow ceiling plane.</p>	<p>The 7502 is listed for use in dry/damp locations to UL and CSA standards.</p>



Single luminaire shown - Quad pendant configuration uses four 7501 luminaires plus quad pendant assembly.

CYL-003 7504 Indirect Asymmetric Quad Pendant

INTERIOR

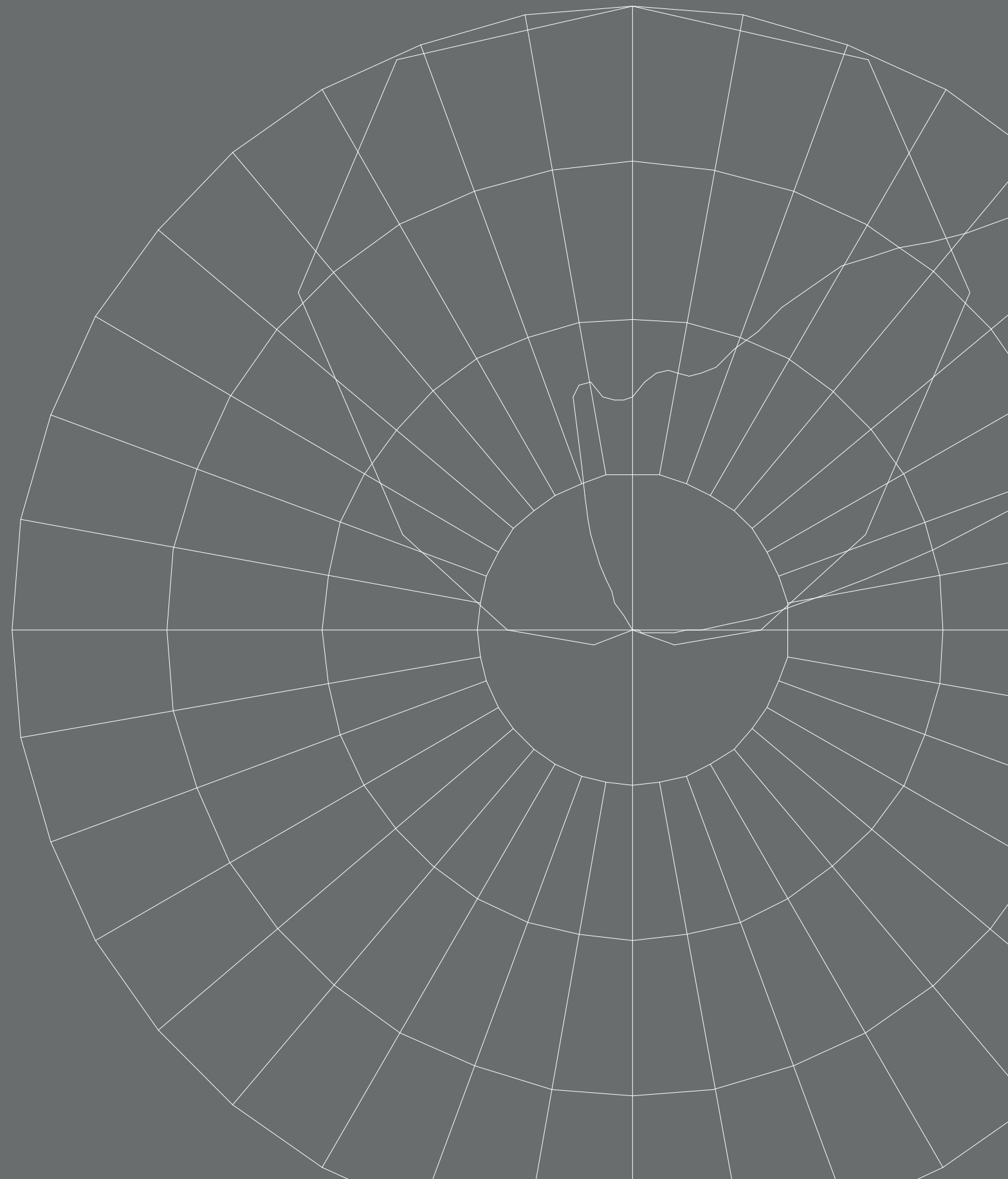
MODEL	LAMP	VOLT	MOUNTING	OPTICS	OPTIONS	COLOUR
7504	320H metal halide	120*	HW* horizontal (ceiling) wash	CV cut off visor	AUX auxiliary lighting control - quartz restrike	WT white texture
	250H metal halide	208	VW vertical (wall) wash		P() pendant length	BT black texture
	200H metal halide	240				SM silver metallic
		277				AN aluminum natural
		347				BZ bronze
						GM gunmetal
						WS white satin
						BM black matte
						RAL specify no.

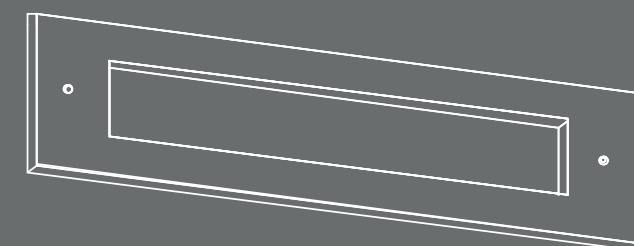
*Standard configuration unless otherwise specified EISA Compliant

SAMPLE CATALOG NUMBER: 7504 - 320H - 120 - HW - WT

Using this catalog number would order 1 model 7504 indirect asymmetric quad pendant ceiling wash luminaire, with four 320 watt remote metal halide ballasts wired to 120 volt and painted white texture polyester powder coat. Lamps by others.

CONSTRUCTION	MOUNTING	OPTICAL	PROTECTION
<p>Materials Lamp housing: Die formed aluminum. End plates: Machined aluminum. Lens: Clear, tempered glass in a captive lens frame. Reflector: Embossed, high reflectance, specular aluminum. Side arms: Aluminum. Center housing: 12 ga. steel, welded and ground.</p> <p>Electrical Components Ballast: Remote, HID Magnetic core & coil, -20°F start.</p>	<p>The 7504 is designed to be pendant mounted over top of a recessed 4" octagon j-box. Luminaire is suspended by four .5" diameter steel stems. A square canopy covers the mounting plate. Ballasts are supplied in a remote mounting box (4 required). Box has integral splice compartment and mounting feet. A long distance ignitor is provided to allow lamp to ballast distances of up to 50 feet.</p>	<p>The 7504 luminaire is fitted with a highly efficient specular aluminum hammertone reflector to wash horizontal ceiling planes or, alternatively, vertical wall surfaces. Head is adjustable a total of 90° to allow illumination of deeper ceiling cavities. A cut off visor is offered to restrict viewing of the aperture when unit is mounted at low mounting heights and aimed to wash a shallow ceiling plane.</p>	<p>The 7504 is listed for use in dry/damp locations to UL and CSA standards.</p>





SIGHTLINES



1



2



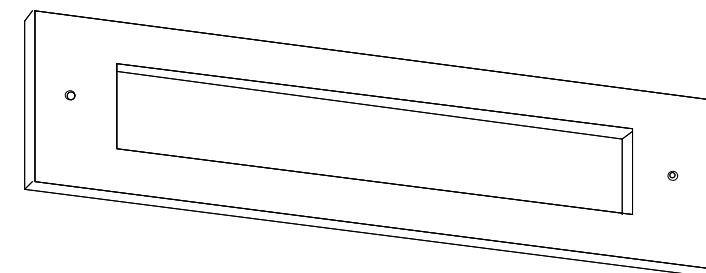
3



4



SIGHTLINES RECESSED WALL 1573R LOW LEVEL AREA LIGHT

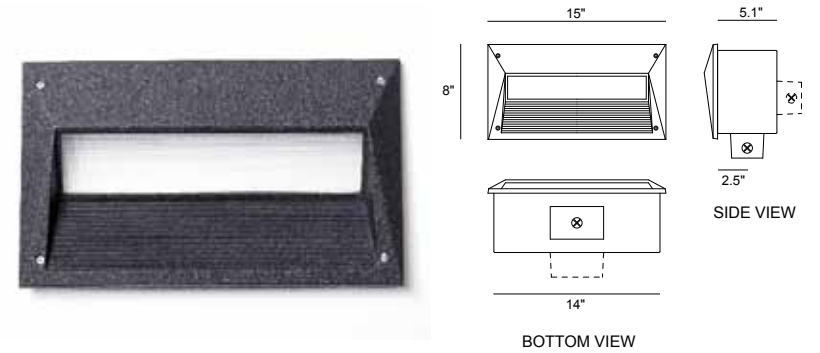
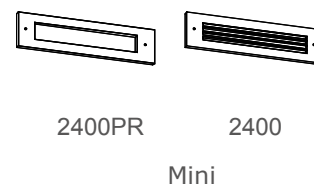
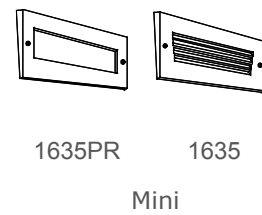
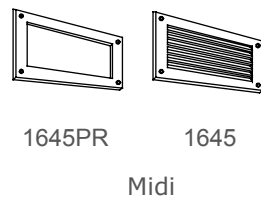
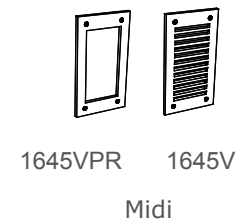
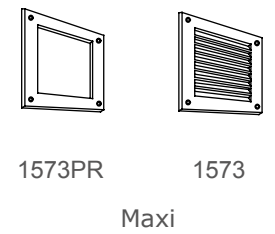
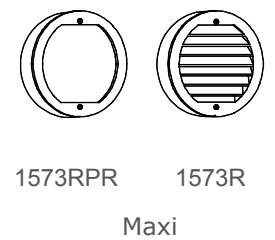
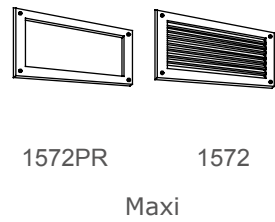
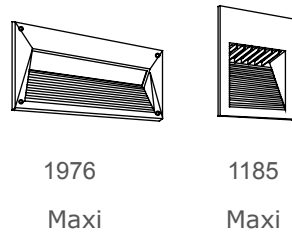


FAMILY
SIGHTLINES
RECESSED WALL

**SIGHTLINES
RECESSED WALL**

EXTERIOR

Cast Faceplates



Sightlines 1976 Maxi Step/Path Low Level Area Light

EXTERIOR

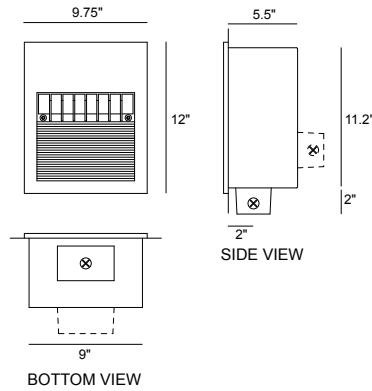
MODEL	LAMP	VOLT	J-BOX LOCATION	OPTIONS	COLOUR
1976	70H <i>metal halide ed-17 medium</i>	120*	BJB* <i>bottom mount j-box</i>	FS <i>fuse kit</i>	WT <i>white texture</i>
	70S <i>high pressure sodium ed-17 medium</i>	208	RJB <i>rear mount j-box</i>		BT <i>black texture</i>
	142T <i>compact fluorescent ed-17 medium</i>	240			SM <i>silver metallic</i>
	132T <i>compact fluorescent ttt triple 32w/26w ttt triple</i>	277			AN <i>aluminum natural</i>
		347			BZ <i>bronze</i>
					GM <i>gunmetal</i>
					WS <i>white satin</i>
					BM <i>black matte</i>
					RAL <i>specify no.</i>

*Standard configuration unless otherwise specified

SAMPLE CATALOG NUMBER: 1976 - 70H - 120 - BJB - WT

Using this catalog number would order 1 model 1976 low level area light with a single 70 watt metal halide ballast wired to 120 volts with standard bottom mount junction box with 1/2 NPT threads and a faceplate painted with white texture polyester powder coat. Lamps by others.

CONSTRUCTION	MOUNTING	OPTICAL	PROTECTION
<p>Materials Faceplate: Cast aluminum. Housing: Zinc coated steel protected with high gloss white polyester powder coat. Reflector: Formed, specular, anodized aluminum sheet. Lens: Tempered, sealed prismatic (#73) glass. Junction box: Gasketed, die cast aluminum, bottom mounted suitable for through branch circuit conductors, suitable for 90°C. (3) - 1/2 NPT plugs, neoprene rubber gaskets.</p> <p>Electrical components Ballast: HID - Core & coil, -20°F start. CF - Electronic, 0°F start.</p>	<p>The Sightlines 1976 series is designed for concrete pour installations and hollow wall construction in compact fluorescent versions. Units are non IC rated so the insulation, if any, must be kept 3" away from the housing and the housing should have 1/2" clearance all around except at the mounting points/surface. See Installation Instructions on the Rebelle website for further details. Conduits must be sealed against water entry into the fixture housing as outlined in the National Electric Code.</p>	<p>The 1976 step lights are designed for low level mounting heights within 4' of the ground. The aperture is recessed to minimize glare. A specular aluminum reflector system directs light downward and to the sides. The lamp compartment is sealed against the ingress of water and other contaminants.</p>	<p>The Sightlines 1976 series is listed for usage in wet locations within four feet of the ground to CSA and UL standards. The unit is not suitable to withstand pressure washing as it breaks down the gasket between the wall and the faceplate. Conduit must be sealed to exclude water from entering the housing. The housing is not intended for wet areas as the housing is only sealed internally to limit the entry of concrete.</p>



Sightlines 1185 Maxi Step/Path Low Level Area Light

EXTERIOR

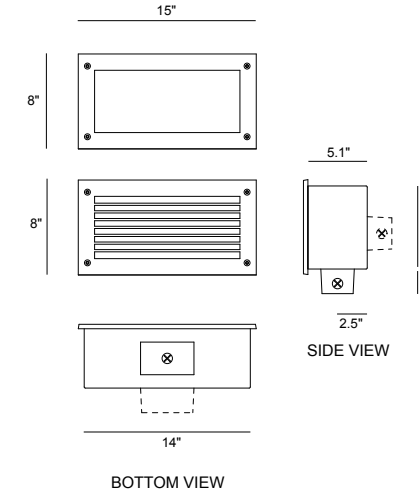
MODEL	LAMP	VOLT	J-BOX LOCATION	OPTIONS	COLOUR
1185	70H <i>metal halide</i>	120*	BJB* <i>bottom mount j-box</i>	FS <i>fuse kit</i>	WT <i>white texture</i>
	70S <i>ed-17 medium high pressure sodium</i>	208	RJB <i>rear mount j-box</i>		BT <i>black texture</i>
	142T <i>ed-17 medium compact fluorescent</i>	240			SM <i>silver metallic</i>
	132T <i>ttt triple compact fluorescent</i>	277			AN <i>aluminum natural</i>
		347			BZ <i>bronze</i>
					GM <i>gunmetal</i>
					WS <i>white satin</i>
					BM <i>black matte</i>
					RAL <i>specify no.</i>

*Standard configuration unless otherwise specified

SAMPLE CATALOG NUMBER: 1185 - 70H - 120 - BJB - WT

Using this catalog number would order 1 model 1185 low level area light with a single 70 watt metal halide ballast wired to 120 volts with standard bottom mount junction box with 1/2 NPT threads and a faceplate painted with white texture. Lamps by others.

CONSTRUCTION	MOUNTING	OPTICAL	PROTECTION
<p>Materials Faceplate: Cast aluminum. Housing: Zinc coated steel protected with high gloss white polyester powder coat. Reflector: Formed, specular, anodized aluminum sheet. Lens: Tempered, sealed prismatic (#73) glass. Junction box: Gasketed, die cast aluminum, bottom mounted suitable for through branch circuit conductors, suitable for 90°C. (3) - 1/2 NPT plugs, neoprene rubber gaskets.</p> <p>Electrical components Ballast: HID - Core & coil, -20°F start. CF - Electronic, 0°F start.</p>	<p>The Sightlines 1185 series is designed for concrete pour installations and hollow wall construction in compact fluorescent versions. Units are non IC rated so the insulation, if any, must be kept 3" away from the housing and the housing should have 1/2" clearance all around except at the mounting points/surface. See Installation Instructions on the Rebelle website for further details. Conduits must be sealed against water entry into the fixture housing as outlined in the National Electric Code.</p>	<p>The Sightlines 1185 series is a large scale recessed pathway light. Mounting heights vary but 3' to 4' from grade is normal. Lamp is recessed in the faceplate with integral louvers shielding the source. A specular aluminum reflector system directs light downward.</p>	<p>The Sightlines 1185 series is listed for usage in wet locations within four feet of the ground to CSA and UL standards. The unit is not suitable to withstand pressure washing as it breaks down the gasket between the wall and the faceplate. Conduit must be sealed to exclude water from entering the housing. The housing is not intended for wet areas as the housing is only sealed internally to limit the entry of concrete.</p>



Sightlines 1572 Maxi Step/Path Low Level Area Light

EXTERIOR

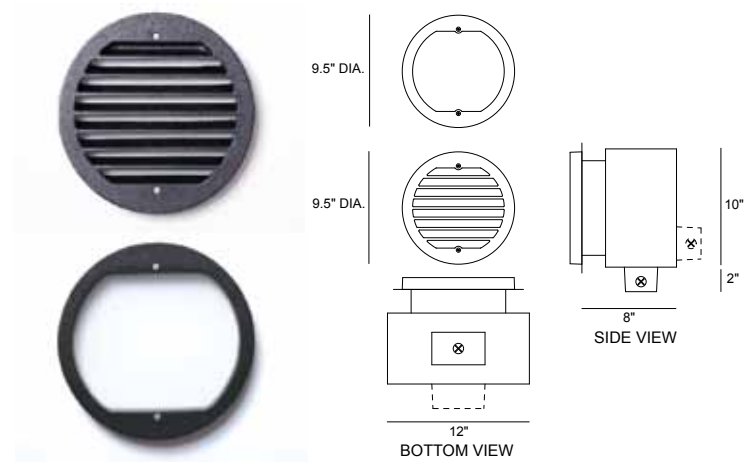
MODEL	LAMP	VOLT	FACEPLATE	J-BOX LOCATION	OPTIONS	COLOUR
1572	70H <i>metal halide</i>	120*	LV* <i>louvered</i>	BJB* <i>bottom mount j-box</i>	FS <i>fuse kit</i>	WT <i>white texture</i>
	70S <i>ed-17 medium metal halide</i>	208	PR <i>open</i>	RJB <i>rear mount j-box</i>		BT <i>black texture</i>
	142T <i>ed-17 medium compact fluorescent</i>	240				SM <i>silver metallic</i>
	132T <i>ttt triple compact fluorescent</i>	277				AN <i>aluminum natural</i>
		347				BZ <i>bronze</i>
						GM <i>gunmetal</i>
						WS <i>white satin</i>
						BM <i>black matte</i>
						RAL <i>specify no.</i>

*Standard configuration unless otherwise specified

SAMPLE CATALOG NUMBER: 1572 - 70H - 120 - LV - BJB - WT

Using this catalog number would order 1 model 1572 louvered face low level area light with a single 70 watt metal halide ballast wired to 120 volts with a standard bottom mount j-box and a faceplate painted with white texture. Lamps by others.

CONSTRUCTION	MOUNTING	OPTICAL	PROTECTION
<p>Materials Faceplate: Cast aluminum. Housing: Zinc coated steel protected with high gloss white polyester powder coat. Reflector: Formed, specular, anodized aluminum sheet. Lens: Tempered, sealed prismatic (#73) glass. Junction box: Gasketed, die cast aluminum, bottom mounted suitable for through branch circuit conductors, suitable for 90°C. (3) - 1/2 NPT plugs, neoprene rubber gaskets.</p> <p>Electrical components Ballast: HID - Core & coil, -20°F start. CF - Electronic, 0°F start.</p>	<p>The Sightlines 1572 series is designed for concrete pour installations and hollow wall construction in compact fluorescent versions. Units are non IC rated so the insulation, if any, must be kept 3" away from the housing and the housing should have 1/2" clearance all around except at the mounting points/surface. See Installation Instructions on the Rebelle website for further details. Conduits must be sealed against water entry into the fixture housing as outlined in the National Electric Code.</p>	<p>The 1572 units are designed to be mounted within 1' to 2' feet of the ground or floor level. The faceplate is provided in a louvered style to eliminate glare and provide illumination on paths, aisles and stairs. An open face with a prismatic glass lens is available for areas that require higher intensity levels. Lamp output is maximized with a specular aluminum reflector system that directs light downward and out to the side. The reflector system is sealed against the ingress of water and other contaminants.</p>	<p>The Sightlines 1572 series is listed for usage in wet locations within four feet of the ground to CSA and UL standards. The unit is not suitable to withstand pressure washing as it breaks down the gasket between the wall and the faceplate. Conduit must be sealed to exclude water from entering the housing. The housing is not intended for wet areas as the housing is only sealed internally to limit the entry of concrete.</p>



Sightlines 1573R Maxi Step/Path Low Level Area Light

EXTERIOR

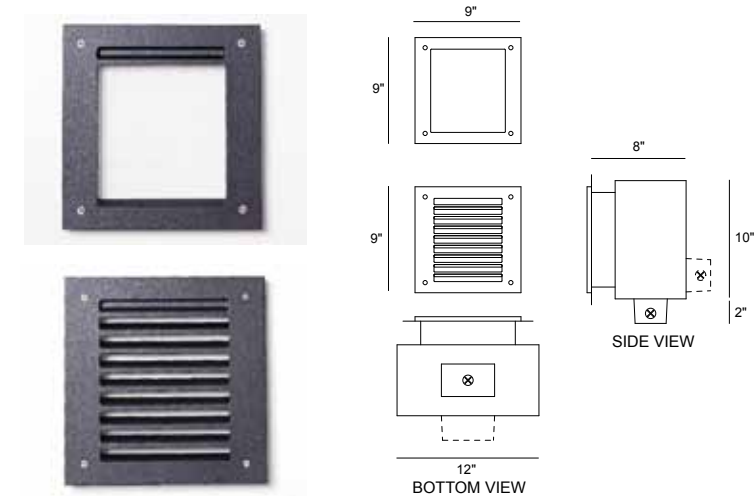
MODEL	LAMP	VOLT	FACEPLATE	OPTIONS	COLOUR
1573R	100H <i>metal halide ed-17 medium</i>	120*	LV* <i>louvered</i>	FS <i>fuse kit</i>	WT <i>white texture</i>
	70H <i>metal halide ed-17 medium</i>	208	PR <i>open</i>		BT <i>black texture</i>
	100S <i>high pressure sodium ed-17 medium</i>	240			SM <i>silver metallic</i>
	70S <i>high pressure sodium ed-17 medium</i>	277			AN <i>aluminum natural</i>
	132T <i>compact fluorescent 32w/26w ttt triple</i>	347			BZ <i>bronze</i>
					GM <i>gunmetal</i>
					WS <i>white satin</i>
					BM <i>black matte</i>
					RAL <i>specify no.</i>

*Standard configuration unless otherwise specified

SAMPLE CATALOG NUMBER: 1573R - 100H - 120 - LV - WT

Using this catalog number would order 1 model 1573R louvered face low level area light with a single 100 watt metal halide ballast wired to 120 volts and a faceplate painted with white texture. Lamps by others.

CONSTRUCTION	MOUNTING	OPTICAL	PROTECTION
<p>Materials Faceplate: Cast aluminum. Housing: Zinc coated steel protected with high gloss white polyester powder coat. Reflector: Formed, specular, anodized aluminum sheet. Lens: Tempered, sealed prismatic (#73) glass. Junction box: Gasketed, die cast aluminum, bottom mounted (field adjustable to rear mount) suitable for through branch circuit conductors, suitable for 90°C. (3) - 1/2 NPT plugs, neoprene rubber gaskets.</p> <p>Electrical components Ballast: HID - Core & coil, -20°F start. CF - Electronic, 0°F start.</p>	<p>The Sightlines 1573R series is designed for concrete pour installations and hollow wall construction in compact fluorescent versions. Units are non IC rated so the insulation, if any, must be kept 3" away from the housing and the housing should have 1/2" clearance all around except at the mounting points/surface. See Installation Instructions on the Rebelle website for further details. Conduits must be sealed against water entry into the fixture housing as outlined in the National Electric Code.</p>	<p>The 1573R units are designed to be mounted within 1' to 2' feet of the ground or floor level. The faceplate is provided in a louvered style to eliminate glare and provide illumination on paths, aisles and stairs. An open face with a prismatic glass lens is available for areas that require higher intensity levels. Lamp output is maximized with a specular aluminum reflector system that directs light downward and out to the side. The reflector system is sealed against the ingress of water and other contaminants.</p>	<p>The Sightlines 1573R series is listed for usage in wet locations within four feet of the ground to CSA and UL standards. The unit is not suitable to withstand pressure washing as it breaks down the gasket between the wall and the faceplate. Conduit must be sealed to exclude water from entering the housing. The housing is not intended for wet areas as the housing is only sealed internally to limit the entry of concrete.</p>



Sightlines 1573 Maxi Step/Path Low Level Area Light

EXTERIOR

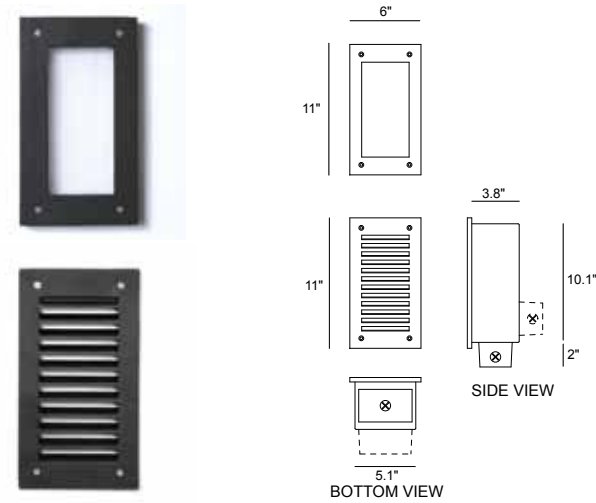
MODEL	LAMP	VOLT	FACEPLATE	OPTIONS	COLOUR
1573	100H <i>metal halide ed-17 medium</i>	120*	LV* <i>louvered</i>	FS <i>fuse kit</i>	WT <i>white texture</i>
	70H <i>metal halide ed-17 medium</i>	208	PR <i>open</i>		BT <i>black texture</i>
	100S <i>high pressure sodium ed-17 medium</i>	240			SM <i>silver metallic</i>
	70S <i>high pressure sodium ed-17 medium</i>	277			AN <i>aluminum natural</i>
	132T <i>compact fluorescent 32w/26w ttt triple</i>	347			BZ <i>bronze</i>
					GM <i>gunmetal</i>
					WS <i>white satin</i>
					BM <i>black matte</i>
					RAL <i>specify no.</i>

*Standard configuration unless otherwise specified

SAMPLE CATALOG NUMBER: 1573 - 100H - 120 - LV - WT

Using this catalog number would order 1 model 1573 louvered face low level area light with a single 100 watt metal halide ballast wired to 120 volts and a faceplate painted with white texture. Lamps by others.

CONSTRUCTION	MOUNTING	OPTICAL	PROTECTION
<p>Materials Faceplate: Cast aluminum. Housing: Zinc coated steel protected with high gloss white polyester powder coat. Reflector: Formed, specular, anodized aluminum sheet. Lens: Tempered, sealed prismatic (#73) glass. Junction box: Gasketed, die cast aluminum, bottom mounted (field adjustable to rear mount) suitable for through branch circuit conductors, suitable for 90°C. (3) - 1/2 NPT plugs, neoprene rubber gaskets.</p> <p>Electrical components Ballast: HID - Core & coil, -20°F start. CF - Electronic, 0°F start.</p>	<p>The Sightlines 1573 series is designed for concrete pour installations and hollow wall construction in compact fluorescent versions. Units are non IC rated so the insulation, if any, must be kept 3" away from the housing and the housing should have 1/2" clearance all around except at the mounting points/surface. See Installation Instructions on the Rebelle website for further details. Conduits must be sealed against water entry into the fixture housing as outlined in the National Electric Code.</p>	<p>The 1573 units are designed to be mounted within 1' to 2' feet of the ground or floor level. The faceplate is provided in a louvered style to eliminate glare and provide illumination on paths, aisles and stairs. An open face with a prismatic glass lens is available for areas that require higher intensity levels. Lamp output is maximized with a specular aluminum reflector system that directs light downward and out to the side. The reflector system is sealed against the ingress of water and other contaminants.</p>	<p>The Sightlines 1573 series is listed for usage in wet locations within four feet of the ground to CSA and UL standards. The unit is not suitable to withstand pressure washing as it breaks down the gasket between the wall and the faceplate. Conduit must be sealed to exclude water from entering the housing. The housing is not intended for wet areas as the housing is only sealed internally to limit the entry of concrete.</p>



Sightlines 1645V Midi Step/Path Low Level Area Light

EXTERIOR

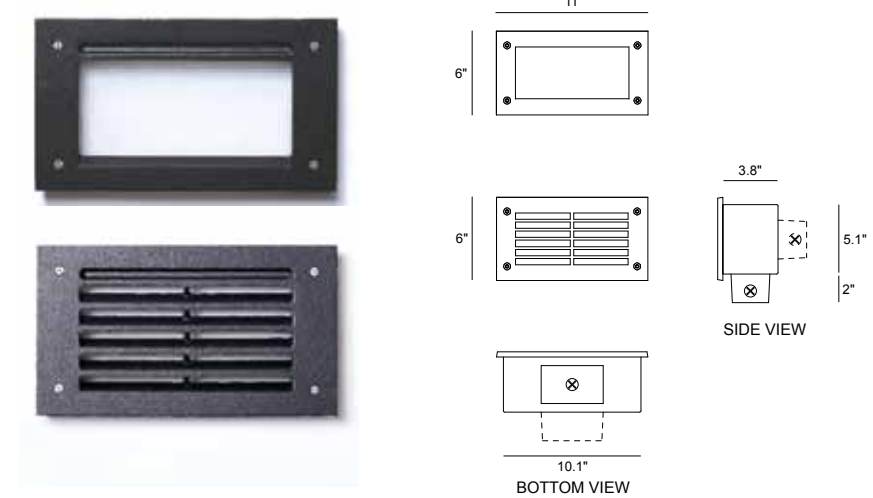
MODEL	LAMP	VOLT	FACEPLATE	J-BOX LOCATION	OPTIONS	COLOUR
1645V	218Q <i>compact fluorescent dtt 18w quad</i>	120*	LV* <i>louvered</i>	BJB* <i>bottom mount j-box</i>	FS <i>fuse kit</i>	WT <i>white texture</i>
	213Q <i>compact fluorescent dtt 13w quad</i>	208	PR <i>open</i>	RJB <i>rear mount j-box</i>		BT <i>black texture</i>
		240				SM <i>silver metallic</i>
		277				AN <i>aluminum natural</i>
		347				BZ <i>bronze</i>
						GM <i>gunmetal</i>
						WS <i>white satin</i>
						BM <i>black matte</i>
						RAL <i>specify no.</i>

*Standard configuration unless otherwise specified

SAMPLE CATALOG NUMBER: 1645V - 218Q - 120 - LV - BJB - WT

Using this catalog number would order 1 model 1645V low level area light with a louvered face and a 2 x 18w compact fluorescent ballast wired to 120 volts with a standard bottom mount junction box and a faceplate painted with white texture. Lamps by others.

CONSTRUCTION	MOUNTING	OPTICAL	PROTECTION
<p>Materials Faceplate: Cast aluminum. Housing: Zinc coated steel protected with high gloss white polyester powder coat. Reflector: High gloss white, formed steel. Lens: Open Tempered, sealed prismatic (#73) glass. CF - Prismatic polycarbonate. Junction box: Gasketed, die cast aluminum, bottom mounted suitable for through branch circuit conductors, suitable for 90°C. (3) - 1/2 NPT plugs, neoprene rubber gaskets.</p> <p>Ballast: CF - Electronic, 0°F start.</p>	<p>The Sightlines 1645V series is designed for concrete pour installations or hollow wall construction. Units are non IC rated so the insulation, if any, must be kept 3" away from the housing and the housing should have 1/2" clearance all around except at the mounting points/surface. See Installation Instructions on the Rebelle website for further details. Conduits must be sealed against water entry into the fixture housing as outlined in the National Electric Code.</p>	<p>The Sightlines 1645V features a vertical orientation louvered or open faceplate. The unit is designed for compact fluorescent lamps only. Reflector is high gloss white polyester powder coat. The reflector system is sealed against the ingress of water and other contaminants.</p>	<p>The Sightlines 1645V series is listed for usage in wet locations within four feet of the ground to CSA and UL standards. The unit is not suitable to withstand pressure washing as it breaks down the gasket between the wall and the faceplate. Conduit must be sealed to exclude water from entering the housing. The housing is not intended for wet areas as the housing is only sealed internally to limit the entry of concrete.</p>



Sightlines 1645 Midi Step/Path Low Level Area Light

EXTERIOR

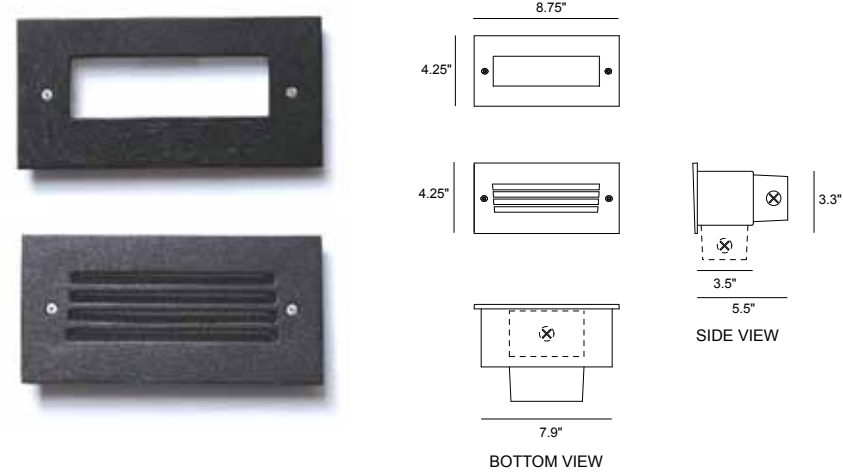
MODEL	LAMP	VOLT	FACEPLATE	OPTIONS	COLOUR
1645	39H <i>metal halide t4 g8.5</i>	120*	LV* <i>louvered</i>	FS <i>fuse kit</i>	WT <i>white texture</i>
	20H <i>metal halide t4 g8.5</i>	208	PR <i>open</i>	EM <i>emergency battery back up (2x13w only)</i>	BT <i>black texture</i>
	35S <i>high pressure sodium ed-17 medium</i>	240			SM <i>silver metallic</i>
	218Q <i>compact fluorescent dtt 18w quad</i>	277			AN <i>aluminum natural</i>
	213Q <i>compact fluorescent dtt 13w quad</i>	347			BZ <i>bronze</i>
					GM <i>gunmetal</i>
					WS <i>white satin</i>
					BM <i>black matte</i>
					RAL <i>specify no.</i>

*Standard configuration unless otherwise specified

SAMPLE CATALOG NUMBER: 1645 - 39H - 120 - LV - WT

Using this catalog number would order 1 model 1645 low level area light with a louvered face and a single 39 watt metal halide ballast wired to 120 volts and a faceplate painted with white texture. Lamps by others.

CONSTRUCTION	MOUNTING	OPTICAL	PROTECTION
<p>Materials Faceplate: Cast aluminum. Housing: Zinc coated steel protected with high gloss white polyester powder coat. Reflector: High gloss white, formed steel. Lens: Open and HID -Tempered, sealed prismatic (#73) glass. CF - Prismatic polycarbonate. Junction box: Gasketed, die cast aluminum, bottom mounted (field adjustable to rear mount) suitable for through branch circuit conductors, suitable for 90°C. (3) - 1/2 NPT plugs, neoprene rubber gaskets.</p> <p>Ballast: HID - Core & coil, -20°F start. CF - Electronic, 0°F start.</p>	<p>The Sightlines 1645 series is designed for concrete pour installations and hollow wall construction in compact fluorescent versions. Units are non IC rated so the insulation, if any, must be kept 3" away from the housing and the housing should have 1/2" clearance all around except at the mounting points/surface. See Installation Instructions on the Rebelle website for further details. Conduits must be sealed against water entry into the fixture housing as outlined in the National Electric Code.</p>	<p>The Sightlines 1645 are designed to be mounted within 1' to 2' of the ground or floor level. The faceplate is provided in a louvered style to eliminate glare and provide illumination on paths, aisles and stairs. An open face with a prismatic glass lens is available for areas that require higher intensity levels. Lamp output is maximized with a reflector system that directs light downward and to the sides. The reflector system is sealed against the ingress of water and other contaminants.</p>	<p>The Sightlines 1645 series is listed for usage in wet locations within four feet of the ground to CSA and UL standards. The unit is not suitable to withstand pressure washing as it breaks down the gasket between the wall and the faceplate. Conduit must be sealed to exclude water from entering the housing. The housing is not intended for wet areas as the housing is only sealed internally to limit the entry of concrete.</p>



Sightlines 1635 Mini Step/Path Low Level Area Light

EXTERIOR

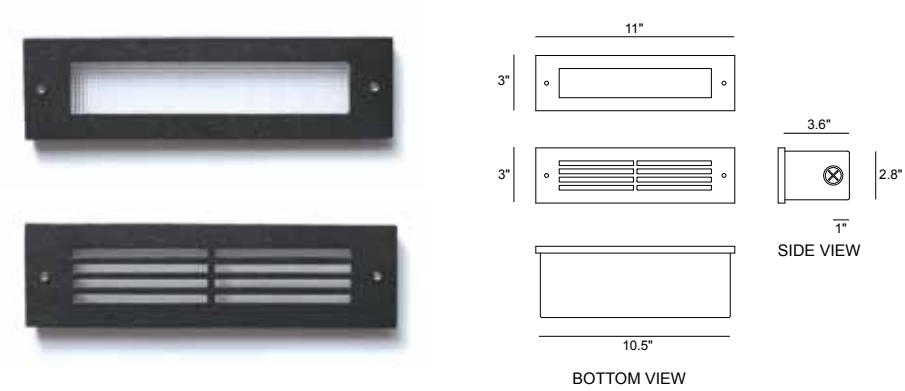
MODEL	LAMP	VOLT	FACEPLATE	J-BOX LOCATION	OPTIONS	COLOUR
1635	113Q <i>compact fluorescent</i> <i>dtl 13w quad</i>	120*	LV* <i>louvered</i>	RJB* <i>rear mount j-box</i>	FS <i>fuse kit</i>	WT <i>white texture</i>
	LED <i>white 4 x 1.2w</i>	208	PR <i>open</i>	BJB <i>bottom mount j-box</i>	RDR <i>remote driver(consult factory)</i>	BT <i>black texture</i>
		240				SM <i>silver metallic</i>
		277				AN <i>aluminum natural</i>
		347				BZ <i>bronze</i>
						GM <i>gunmetal</i>
						WS <i>white satin</i>
						BM <i>black matte</i>
						RAL <i>specify no.</i>

*Standard configuration unless otherwise specified

SAMPLE CATALOG NUMBER: 1635 - 113Q - 120 - LV - RJB - WT

Using this catalog number would order 1 model 1635 low level area light with a louvered face and a 1 x 13w compact fluorescent ballast wired to 120 volts with a standard rear mount junction box and a faceplate painted with white texture. Lamps by others.

CONSTRUCTION	MOUNTING	OPTICAL	PROTECTION
<p>Materials Faceplate: Cast aluminum. Housing: Zinc coated steel protected with high gloss white polyester powder coat. Reflector: High gloss white, formed steel. Lens: Open - Tempered, sealed prismatic (#73) glass. CF - Prismatic polycarbonate. Junction box: Gasketed, die cast aluminum, bottom mounted, suitable for through branch circuit conductors, suitable for 90°C. (3) - 1/2 NPT plugs, neoprene rubber gaskets.</p> <p>Ballast: CF - Electronic, 0°F start. LED driver 120 volt supply only.</p>	<p>The Sightlines 1635 series is designed for concrete pour installations and hollow wall construction in compact fluorescent versions. Units are non IC rated so the insulation, if any, must be kept 3" away from the housing and the housing should have 1/2" clearance all around except at the mounting points/surface. See Installation Instructions on the Rebelle website for further details. Conduits must be sealed against water entry into the fixture housing as outlined in the National Electric Code.</p>	<p>The Sightlines 1635 units are offered with louvered or open faceplates. A white polyester powder coated reflector directs output downward. Reflector is sealed behind faceplate assembly so that water and other contaminants are excluded.</p>	<p>The Sightlines 1635 series is listed for usage in wet locations within four feet of the ground to CSA and UL standards. The unit is not suitable to withstand pressure washing as it breaks down the gasket between the wall and the faceplate. Conduit must be sealed to exclude water from entering the housing. The housing is not intended for wet areas as the housing is only sealed internally to limit the entry of concrete.</p>



Sightlines 2400 Mini Step/Path Low Level Area Light

EXTERIOR

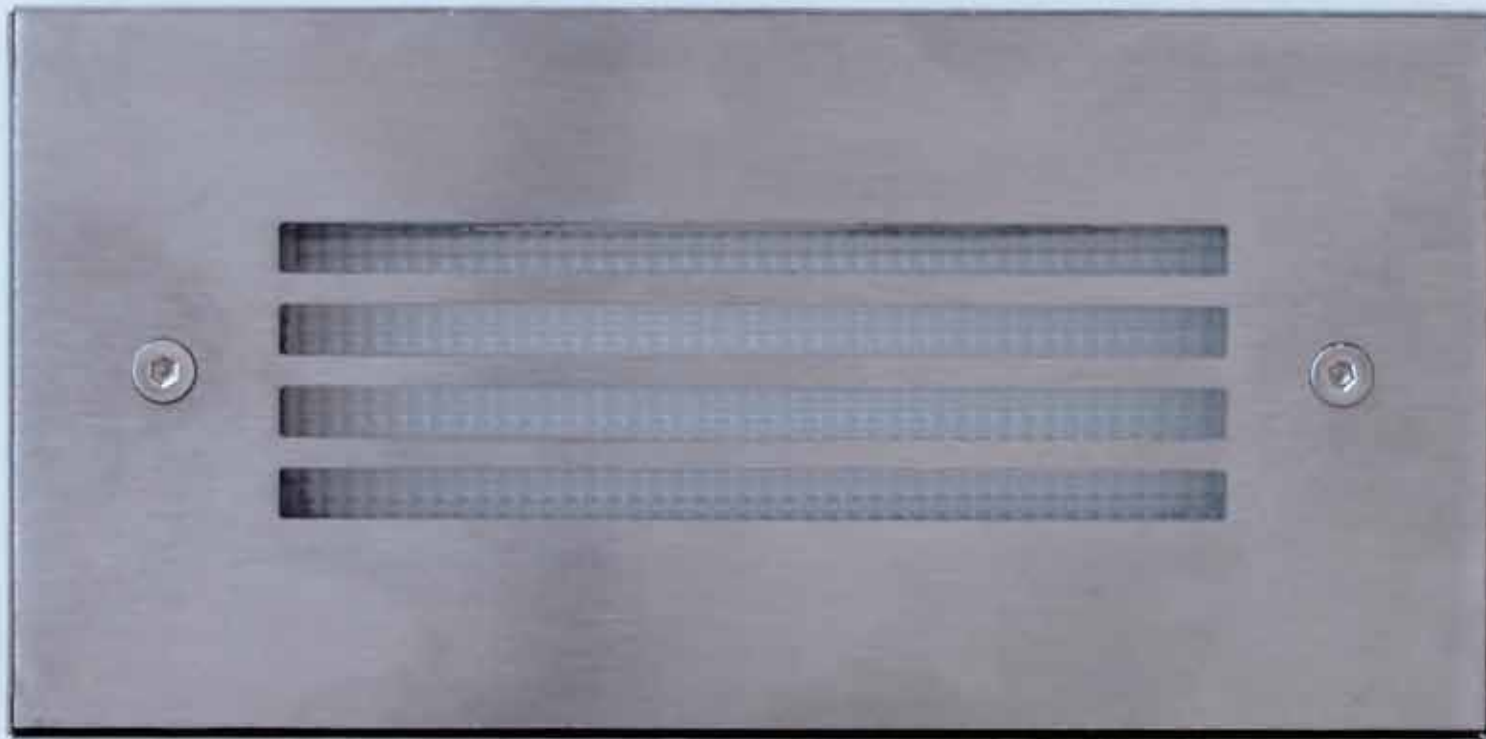
MODEL	LAMP	VOLT	FACEPLATE	OPTIONS	COLOUR
2400	118Q <i>compact fluorescent</i> <i>dtl 18w quad</i>	120*	LV* <i>louvered</i>	FS <i>fuse kit</i>	WT <i>white texture</i>
	113Q <i>compact fluorescent</i> <i>dtl 13w quad</i>	208	PR <i>open</i>	RDR <i>remote driver(consult factory)</i>	BT <i>black texture</i>
	LED <i>white 4 x 1.2w</i>	240			SM <i>silver metallic</i>
		277			AN <i>aluminum natural</i>
		347			BZ <i>bronze</i>
					GM <i>gunmetal</i>
					WS <i>white satin</i>
					BM <i>black matte</i>
					RAL <i>specify no.</i>

*Standard configuration unless otherwise specified

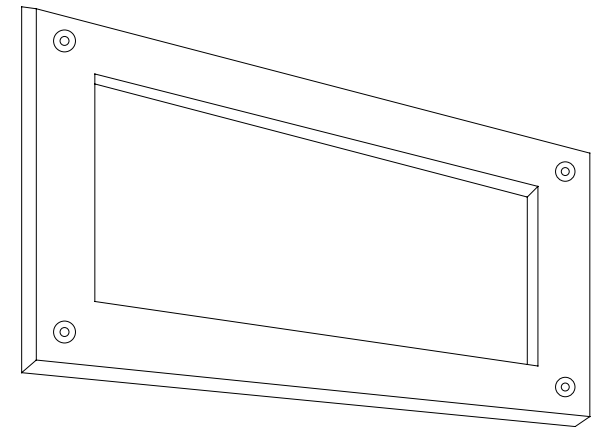
SAMPLE CATALOG NUMBER: 2400 - 118Q - 120 - LV - WT

Using this catalog number would order 1 model 2400 low level area light with a louvered face and a 1 x 18w compact fluorescent ballast wired to 120 volts and a faceplate painted with white texture. Lamps by others.

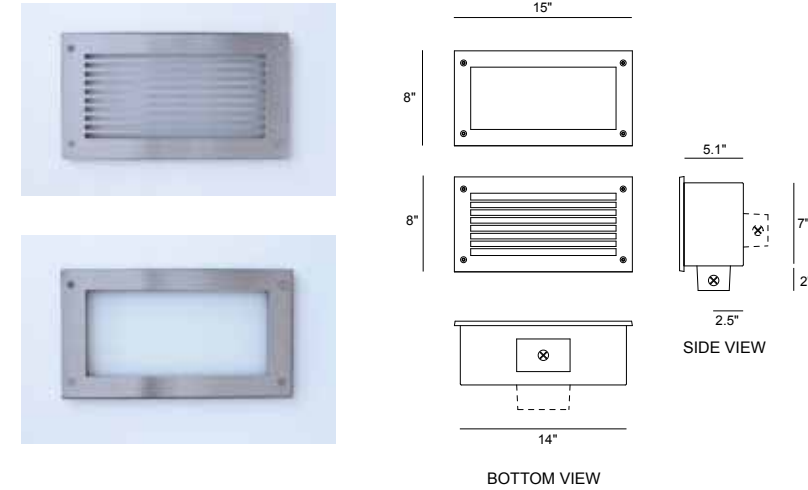
CONSTRUCTION	MOUNTING	OPTICAL	PROTECTION
<p>Materials Faceplate: Cast aluminum. Housing: Zinc coated steel protected with high gloss white polyester powder coat. Reflector: High gloss white, formed steel. Lens: Open - Tempered, sealed prismatic (#73) glass. CF and louvered face - Prismatic polycarbonate. Suitable for through branch circuit conductors, suitable for 90°C. (2) - 1/2 NPT plugs, neoprene rubber gaskets.</p> <p>Ballast: CF - Electronic, 0°F start. LED driver 120 volt supply only.</p>	<p>The Sightlines 2400 series is designed for concrete pour installations and hollow wall construction. Units are non IC rated so the insulation, if any, must be kept 3" away from the housing and the housing should have 1/2" clearance all around except at the mounting points/surface. See Installation Instructions on the Rebelle website for further details. Conduits must be sealed against water entry into the fixture housing as outlined in the National Electric Code.</p>	<p>The Sightlines 2400 units are offered with louvered or open faceplates. A white polyester powder coated reflector directs output downward. Reflector is sealed behind faceplate assembly so that water and other contaminants are excluded.</p>	<p>The Sightlines 2400 series is listed for usage in wet locations within four feet of the ground to CSA and UL standards. The unit is not suitable to withstand pressure washing as it breaks down the gasket between the wall and the faceplate. Conduit must be sealed to exclude water from entering the housing. The housing is not intended for wet areas as the housing is only sealed internally to limit the entry of concrete.</p>



SIGHTLINES RECESSED WALL 1635SS LOW LEVEL AREA LIGHT



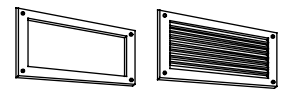
FAMILY
SIGHTLINES
RECESSED WALL



**SIGHTLINES
RECESSED WALL**

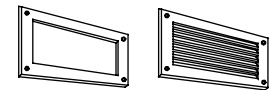
EXTERIOR

Stainless Steel Faceplates



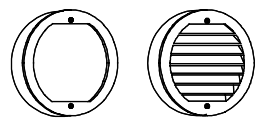
1572SSPR 1572SS

Maxi



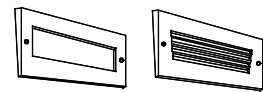
1645SSPR 1645SS

Midi



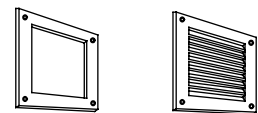
1573RSSPR 1573RSS

Maxi



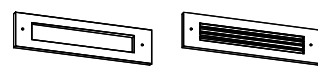
1635SSPR 1635SS

Mini



1573SSPR 1573SS

Maxi



2400SSPR 2400SS

Mini

Sightlines 1572SS Maxi Step/Path Low Level Area Light

EXTERIOR

MODEL	LAMP	VOLT	FACEPLATE	J-BOX LOCATION	OPTIONS	COLOUR
1572SS	70H <i>metal halide ed-17 medium</i>	120*	LV* <i>slotted</i>	BJB* <i>bottom mount j-box</i>	FS <i>fuse kit</i>	SS <i>Stainless steel requires periodic maintenance to remove dirt and contaminants, similar to household stainless items.</i>
	70S <i>metal halide ed-17 medium</i>	208	PR <i>open</i>	RJB <i>rear mount j-box</i>		
	142T <i>compact fluorescent ttt triple</i>	240				
	132T <i>compact fluorescent 32w/26w ttt triple</i>	277				
		347				

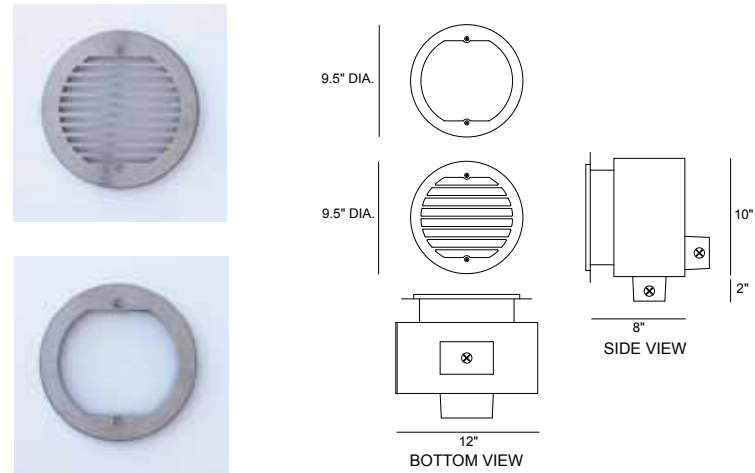
**Standard configuration unless otherwise specified*

SAMPLE CATALOG NUMBER: 1572SS - 70H - 120 - LV - BJB

Using this catalog number would order 1 model 1572SS slotted face low level area light with a single 70 watt metal halide ballast wired to 120 volts with a standard bottom mount j-box. Lamps by others.

CONSTRUCTION	MOUNTING	OPTICAL	PROTECTION
<p>Materials Faceplate: Stainless steel, #4 brushed finish. Housing: Zinc coated steel protected with high gloss white polyester powder coat. Reflector: Formed, specular, anodized aluminum sheet. Lens: Tempered, sealed prismatic (#73) glass. Junction box: Gasketed, die cast aluminum, bottom mounted suitable for through branch circuit conductors, suitable for 90°C. (3) - 1/2 NPT plugs, neoprene rubber gaskets.</p>	<p>The Sightlines 1572SS series is designed for concrete pour installations and hollow wall construction in compact fluorescent versions. Units are non IC rated so the insulation, if any, must be kept 3" away from the housing and the housing should have 1/2" clearance all around except at the mounting points/surface. See Installation Instructions on the Rebelle website for further details. Conduits must be sealed against water entry into the fixture housing as outlined in the National Electric Code.</p>	<p>The 1572SS units are designed to be mounted within 1' to 2' feet of the ground or floor level. The faceplate is provided in a slotted style to eliminate glare and provide illumination on paths, aisles and stairs. An open face with a prismatic glass lens is available for areas that require higher intensity levels. Lamp output is maximized with a specular aluminum reflector system that directs light downward and out to the side. The reflector system is sealed against the ingress of water and other contaminants.</p>	<p>The Sightlines 1572SS series is listed for usage in wet locations within four feet of the ground to UL and CSA standards. The unit is not suitable to withstand pressure washing as it breaks down the gasket between the wall and the faceplate. Conduit must be sealed to exclude water from entering the housing. The housing is not intended for wet areas as the housing is only sealed internally to limit the entry of concrete.</p>

Electrical components
Ballast: HID - Core & coil, -20°F start.
CF - Electronic, 0°F start.



Sightlines 1573RSS Maxi Step/Path Low Level Area Light EXTERIOR

MODEL	LAMP	VOLT	FACEPLATE	OPTIONS	COLOUR
1573RSS	100H <i>metal halide ed-17 medium</i>	120*	LV* <i>slotted</i>	FS <i>fuse kit</i>	SS <i>Stainless steel requires periodic maintenance to remove dirt and contaminants, similar to household stainless items.</i>
	70H <i>metal halide ed-17 medium</i>	208	PR <i>open</i>		
	100S <i>high pressure sodium ed-17 medium</i>	240			
	70S <i>high pressure sodium ed-17 medium</i>	277			
	132T <i>compact fluorescent 32w/26w ttt triple</i>	347			

*Standard configuration unless otherwise specified

SAMPLE CATALOG NUMBER: 1573RSS - 100H - 120 - LV

Using this catalog number would order 1 model 1573RSS slotted face low level area light with a single 100 watt metal halide ballast wired to 120 volts. Lamps by others.

CONSTRUCTION	MOUNTING	OPTICAL	PROTECTION
--------------	----------	---------	------------

Materials
Faceplate: Stainless steel, #4 brushed finish. Housing: Zinc coated steel protected with high gloss white polyester powder coat. Reflector: Formed, specular, anodized aluminum sheet. Lens: Tempered, sealed prismatic (#73) glass. Junction box: Gasketed, die cast aluminum, bottom mounted (field adjustable to rear mount) suitable for through branch circuit conductors, suitable for 90°C. (3) - 1/2 NPT plugs, neoprene rubber gaskets.

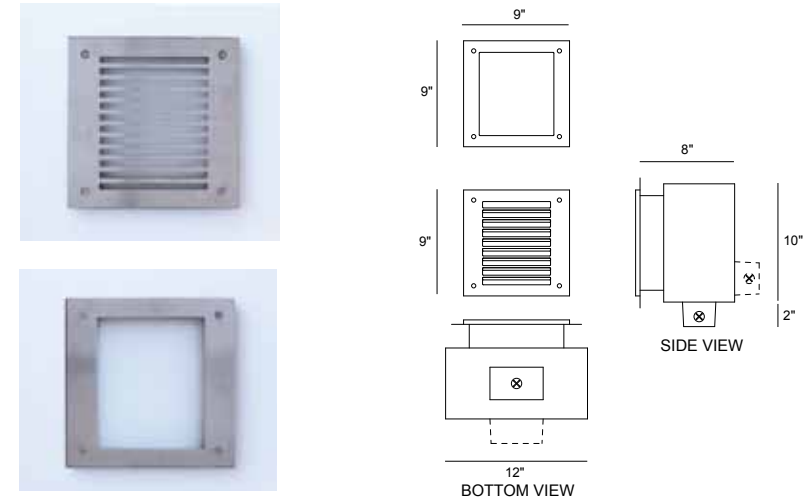
Electrical components
Ballast: HID - Core & coil, -20°F start.
CF - Electronic, 0°F start.

www.rebellelighting.com
© 2010 REBELLE All rights reserved.

The Sightlines 1573RSS series is designed for concrete pour installations and hollow wall construction in compact fluorescent versions. Units are non IC rated so the insulation, if any, must be kept 3" away from the housing and the housing should have 1/2" clearance all around except at the mounting points/surface. See Installation Instructions on the Rebelle website for further details. Conduits must be sealed against water entry into the fixture housing as outlined in the National Electric Code.

The 1573RSS units are designed to be mounted within 1' to 2' feet of the ground or floor level. The faceplate is provided in a slotted style to eliminate glare and provide illumination on paths, aisles and stairs. An open face with a prismatic glass lens is available for areas that require higher intensity levels. Lamp output is maximized with a specular aluminum reflector system that directs light downward and out to the side. The reflector system is sealed against the ingress of water and other contaminants.

The Sightlines 1573RSS series is listed for usage in wet locations within four feet of the ground to UL and CSA standards. The unit is not suitable to withstand pressure washing as it breaks down the gasket between the wall and the faceplate. Conduit must be sealed to exclude water from entering the housing. The housing is not intended for wet areas as the housing is only sealed internally to limit the entry of concrete.



Sightlines 1573SS Maxi Step/Path Low Level Area Light EXTERIOR

MODEL	LAMP	VOLT	FACEPLATE	OPTIONS	COLOUR
1573SS	100H <i>metal halide ed-17 medium</i>	120*	LV* <i>slotted</i>	FS <i>fuse kit</i>	SS <i>Stainless steel requires periodic maintenance to remove dirt and contaminants, similar to household stainless items.</i>
	70H <i>metal halide ed-17 medium</i>	208	PR <i>open</i>		
	100S <i>high pressure sodium ed-17 medium</i>	240			
	70S <i>high pressure sodium ed-17 medium</i>	277			
	132T <i>compact fluorescent 32w/26w ttt triple</i>	347			

*Standard configuration unless otherwise specified

SAMPLE CATALOG NUMBER: 1573SS - 100H - 120 - LV

Using this catalog number would order 1 model 1573SS slotted face low level area light with a single 100 watt metal halide ballast wired to 120 volts. Lamps by others.

CONSTRUCTION	MOUNTING	OPTICAL	PROTECTION
--------------	----------	---------	------------

Materials
Faceplate: Stainless steel, #4 brushed finish. Housing: Zinc coated steel protected with high gloss white polyester powder coat. Reflector: Formed, specular, anodized aluminum sheet. Lens: Tempered, sealed prismatic (#73) glass. Junction box: Gasketed, die cast aluminum, bottom mounted (field adjustable to rear mount) suitable for through branch circuit conductors, suitable for 90°C. (3) - 1/2 NPT plugs, neoprene rubber gaskets.

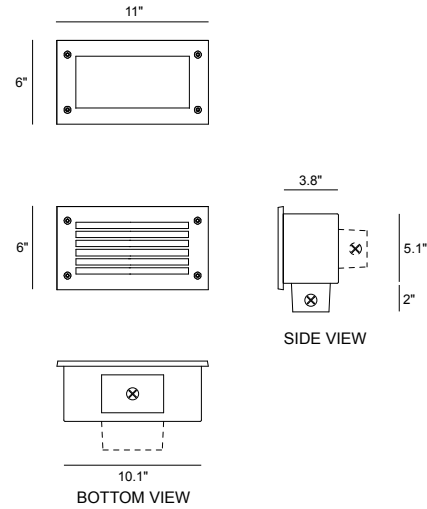
Electrical components
Ballast: HID - Core & coil, -20°F start.
CF - Electronic, 0°F start.

www.rebellelighting.com
© 2010 REBELLE All rights reserved.

The Sightlines 1573SS series is designed for concrete pour installations and hollow wall construction in compact fluorescent versions. Units are non IC rated so the insulation, if any, must be kept 3" away from the housing and the housing should have 1/2" clearance all around except at the mounting points/surface. See Installation Instructions on the Rebelle website for further details. Conduits must be sealed against water entry into the fixture housing as outlined in the National Electric Code.

The 1573SS units are designed to be mounted within 1' to 2' feet of the ground or floor level. The faceplate is provided in a slotted style to eliminate glare and provide illumination on paths, aisles and stairs. An open face with a prismatic glass lens is available for areas that require higher intensity levels. Lamp output is maximized with a specular aluminum reflector system that directs light downward and out to the side. The reflector system is sealed against the ingress of water and other contaminants.

The Sightlines 1573SS series is listed for usage in wet locations within four feet of the ground to UL and CSA standards. The unit is not suitable to withstand pressure washing as it breaks down the gasket between the wall and the faceplate. Conduit must be sealed to exclude water from entering the housing. The housing is not intended for wet areas as the housing is only sealed internally to limit the entry of concrete.



Sightlines 1645SS Midi Step/Path Low Level Area Light

EXTERIOR

MODEL	LAMP	VOLT	FACEPLATE	OPTIONS	COLOUR
1645SS	39H <i>metal halide</i> <small>t4 g8.5</small>	120*	LV* <i>slotted</i>	FS <i>fuse kit</i>	SS <i>Stainless steel requires periodic maintenance to remove dirt and contaminants, similar to household stainless items.</i>
	20H <i>metal halide</i> <small>t4 g8.5</small>	208	PR <i>open</i>	EM <i>emergency battery back up (2x1.3w only)</i>	
	35S <i>high pressure sodium</i> <small>ed-17 medium</small>	240			
	218Q <i>compact fluorescent</i> <small>dtt 18w quad</small>	277			
	213Q <i>compact fluorescent</i> <small>dtt 13w quad</small>	347			

*Standard configuration unless otherwise specified

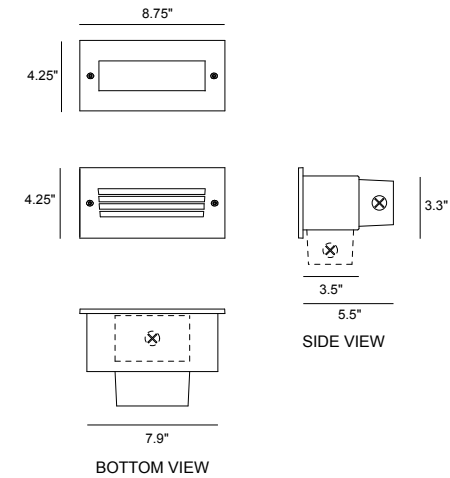
SAMPLE CATALOG NUMBER: 1645SS - 39H - 120 - LV

Using this catalog number would order 1 model 1645SS low level area light with a slotted face and a single 39 watt metal halide ballast wired to 120 volts. Lamps by others.

CONSTRUCTION	MOUNTING	OPTICAL	PROTECTION
<p>Materials Faceplate: Stainless steel, #4 brushed finish. Housing: Zinc coated steel protected with high gloss white polyester powder coat. Reflector: High gloss white, formed steel. Lens: Open and HID -Tempered, sealed prismatic (#73) glass. CF - Prismatic polycarbonate. Junction box: Gasketed, die cast aluminum, bottom mounted (field adjustable to rear mount) suitable for through branch circuit conductors, suitable for 90°C. (3) - 1/2 NPT plugs, neoprene rubber gaskets.</p>	<p>The Sightlines 1645SS series is designed for concrete pour installations and hollow wall construction in compact fluorescent versions. Units are non IC rated so the insulation, if any, must be kept 3" away from the housing and the housing should have 1/2" clearance all around except at the mounting points/surface. See Installation Instructions on the Rebelle website for further details. Conduits must be sealed against water entry into the fixture housing as outlined in the National Electric Code.</p>	<p>The Sightlines 1645SS are designed to be mounted within 1' to 2' of the ground or floor level. The faceplate is provided in a slotted style to eliminate glare and provide illumination on paths, aisles and stairs. An open face with a prismatic glass lens is available for areas that require higher intensity levels. Lamp output is maximized with a reflector system that directs light downward and to the sides. The reflector system is sealed against the ingress of water and other contaminants.</p>	<p>The Sightlines 1645SS series is listed for usage in wet locations within four feet of the ground to UL and CSA standards. The unit is not suitable to withstand pressure washing as it breaks down the gasket between the wall and the faceplate. Conduit must be sealed to exclude water from entering the housing. The housing is not intended for wet areas as the housing is only sealed internally to limit the entry of concrete.</p>

Ballast: HID - Core & coil, -20°F start.
CF - Electronic, 0°F start.

www.rebellelighting.com
© 2010 REBELLE All rights reserved.



Sightlines 1635SS Mini Step/Path Low Level Area Light

EXTERIOR

MODEL	LAMP	VOLT	FACEPLATE	J-BOX LOCATION	OPTIONS	COLOUR
1635SS	113Q <i>compact fluorescent</i> <small>dtt 1.3w quad</small>	120*	LV* <i>slotted</i>	RJB* <i>rear mount j-box</i>	FS <i>fuse kit</i>	SS <i>Stainless steel requires periodic maintenance to remove dirt and contaminants, similar to household stainless items.</i>
	LED	208	PR <i>open</i>	BJB <i>bottom mount j-box</i>	RDR <i>remote driver(consult factory)</i>	
		240				
		277				
		347				

*Standard configuration unless otherwise specified

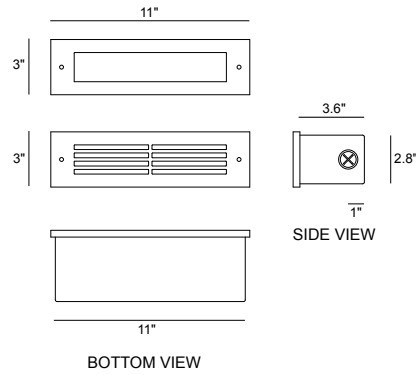
SAMPLE CATALOG NUMBER: 1635SS - 113Q - 120 - LV - RJB

Using this catalog number would order 1 model 1635SS low level area light with a slotted face and a 1 x 13w compact fluorescent ballast wired to 120 volts with a standard rear mount junction box with 1/2 NPT threads. Lamps by others.

CONSTRUCTION	MOUNTING	OPTICAL	PROTECTION
<p>Materials Faceplate: Stainless steel, #4 brushed finish. Housing: Zinc coated steel protected with high gloss white polyester powder coat. Reflector: High gloss white, formed steel. Lens: Open - Tempered, sealed prismatic (#73) glass. CF - Prismatic polycarbonate. Junction box: Gasketed, die cast aluminum, bottom mounted suitable for through branch circuit conductors, suitable for 90°C. (3) - 1/2 NPT plugs, neoprene rubber gaskets.</p>	<p>The Sightlines 1635SS series is designed for concrete pour installations and hollow wall construction in compact fluorescent versions. Units are non IC rated so the insulation, if any, must be kept 3" away from the housing and the housing should have 1/2" clearance all around except at the mounting points/surface. See Installation Instructions on the Rebelle website for further details. Conduits must be sealed against water entry into the fixture housing as outlined in the National Electric Code.</p>	<p>The Sightlines 1635SS units are offered with slotted or open faceplates. A white polyester powder coated reflector directs output. Reflector is sealed behind faceplate assembly so that water and other contaminants are excluded.</p>	<p>The Sightlines 1635SS series is listed for usage in wet locations within four feet of the ground to UL and CSA standards. The unit is not suitable to withstand pressure washing as it breaks down the gasket between the wall and the faceplate. Conduit must be sealed to exclude water from entering the housing. The housing is not intended for wet areas as the housing is only sealed internally to limit the entry of concrete.</p>

Ballast: CF - Electronic, 0°F start.
LED driver 120 volt supply only.

www.rebellelighting.com
© 2010 REBELLE All rights reserved.



Sightlines 2400SS Mini Step/Path Low Level Area Light

EXTERIOR

MODEL	LAMP	VOLT	FACEPLATE	OPTIONS	COLOUR
2400SS	118Q <i>compact fluorescent</i> <i>dtl 18w quad</i>	120*	LV* <i>slotted</i>	FS <i>fuse kit</i>	SS <i>Stainless steel</i> <i>requires</i> <i>periodic</i> <i>maintenance to</i> <i>remove dirt and</i> <i>contaminants,</i> <i>similar to household</i> <i>stainless items.</i>
	113Q <i>compact fluorescent</i> <i>dtl 13w quad</i>	208	PR <i>open</i>	RDR <i>remote driver(consult factory)</i>	
	LED <i>white 4 x 1.2w</i>	240			
		277			
		347			

*Standard configuration unless otherwise specified

SAMPLE CATALOG NUMBER: 2400SS - 118Q - 120 - LV

Using this catalog number would order 1 model 2400SS low level area light with a slotted face and a 1 x 18w compact fluorescent ballast wired to 120 volts. Lamps by others.

CONSTRUCTION

Materials
Faceplate: Stainless steel, #4 brushed finish. Housing: Zinc coated steel protected with high gloss white polyester powder coat, suitable for through branch circuit conductors, suitable for 90°C. (2) - 1/2 NPT plugs. Reflector: High gloss white, formed steel. Lens: Open - Tempered, sealed prismatic (#73) glass. CF and louvered face - Prismatic polycarbonate.

Ballast: CF - Electronic, 0°F start. LED driver 120 volt supply only.

MOUNTING

The Sightlines 2400SS series is designed for concrete pour installations and hollow wall construction in compact fluorescent versions. Units are non IC rated so the insulation, if any, must be kept 3" away from the housing and the housing should have 1/2" clearance all around except at the mounting points/surface. See Installation Instructions on the Rebelle website for further details. Conduits must be sealed against water entry into the fixture housing as outlined in the National Electric Code.

OPTICAL

The Sightlines 2400SS units are offered with slotted or open faceplates. A white polyester powder coated reflector directs output. Reflector is sealed behind faceplate assembly so that water and other contaminants are excluded.

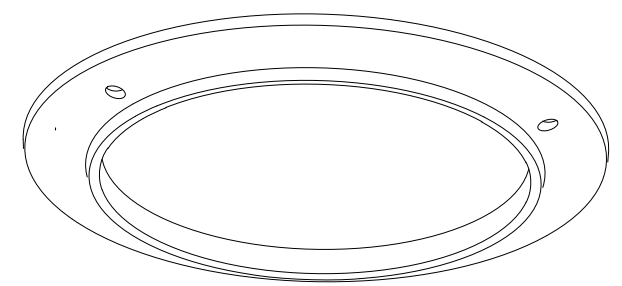
PROTECTION

The Sightlines 2400SS series is listed for usage in wet locations within four feet of the ground to UL and CSA standards. The unit is not suitable to withstand pressure washing as it breaks down the gasket between the wall and the faceplate. Conduit must be sealed to exclude water from entering the housing. The housing is not intended for wet areas as the housing is only sealed internally to limit the entry of concrete.





SIGHTLINES RECESSED CEILING 8000 RECESSED DOWNLIGHT



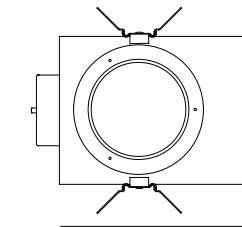
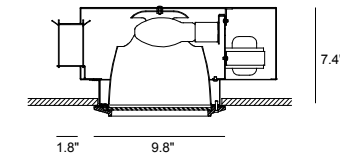
FAMILY
SIGHTLINES
RECESSED CEILING



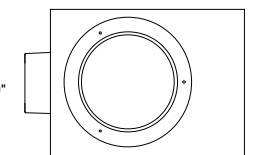
LENSED TRIM



CAST GUARD OPTION



HOLLOW CEILING VERSION



CONCRETE POUR VERSION

Sightslines 8000 Vandal Resistant Recessed Downlight - CF

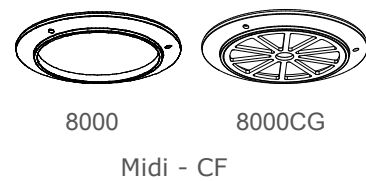
EXTERIOR

MODEL	MOUNTING	LAMP	VOLT	OPTICS	OPTIONS	COLOUR
8000	HC hollow ceiling	242T compact fluorescent ttt triple	120*	CPC* .188" clear polycarbonate	CG cast guard	WT white texture
	CP concrete pour	232T compact fluorescent 32/26w ttt triple or 26w dtt quad	208	K12 .125" prismatic polycarbonate	EM battery back up	BT black texture
		142T compact fluorescent ttt triple	240			SM silver metallic
		132T compact fluorescent 32/26w ttt triple or 26w dtt quad	277			AN aluminum natural
			347			BZ bronze
					GM gunmetal	
						WS white satin
						BM black matte
						RAL specify no.

SIGHTLINES RECESSED CEILING

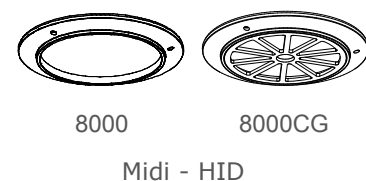
Vandal Resistant Downlights
Concrete Pour and Hollow Wall

EXTERIOR



8000 8000CG

Midi - CF



8000 8000CG

Midi - HID

*Standard configuration unless otherwise specified

SAMPLE CATALOG NUMBER: 8000 - HC - 242T - 120 - CPC - WT

Using this catalog number would order 1 model 8000 recessed exterior luminaire for a hollow ceiling application with a 2 x 42 watt compact fluorescent ballast wired to 120 volts with a .188" clear polycarbonate lens and white texture paint on the trim. Lamps by others.

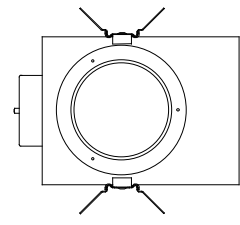
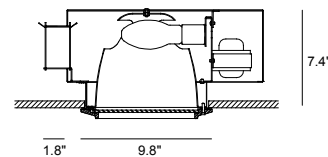
CONSTRUCTION	MOUNTING	OPTICAL	PROTECTION
<p>Materials Housing: Zinc-coated steel. Trim: Pressure die cast aluminum. Reflector: Spun aluminum with clear ALZAK finish. Junction Box: Die cast aluminum on CP version. Zinc Plated on hollow ceiling. Lens: Clear polycarbonate or optional prismatic polycarbonate.</p> <p>Electrical Components Ballast: Electronic, 0°F start, thermally protected, <10% THD, 120 - 277 variable voltage.</p>	<p>The 8000 series is offered in two housing styles - hollow ceiling, T-bar drywall or plaster or, alternatively, concrete pour construction. The hollow ceiling units are provided with adjustable mounting hangers and are for non-insulated ceilings (non-IC). Insulation materials, if present, must be kept 3" away from housing. The concrete pour housing is suitable for pour in place situations. Junction box is suitable for thru-wiring with 4 no. 12 AWG or 4 no. 14 AWG through branch circuit conductors plus ground, suitable for 90°C.</p>	<p>The 8000 series reflectors are precision formed from high purity aluminum and polished and anodized to low iridescent ALZAK standards. Horizontal lamp positioning ensures low brightness performance with sharp cut off to lamp and lamp image.</p>	<p>The 8000 series is listed for use in wet locations to UL and CSA Standards.</p> <p>Trims are triple gasketed to exclude contaminants from the reflector cavity to ensure longevity of optical performance.</p> <p>The tamper resistant stainless steel fasteners secure trim to housing. Impact resistant polycarbonate lenses are provided and a cast guard is an optional extra.</p>



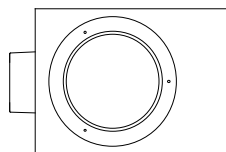
LENSED TRIM



CAST GUARD OPTION



14.5"
HOLLOW CEILING VERSION



14.5"
CONCRETE POUR VERSION

Sightlines 8000 Vandal Resistant Recessed Downlight - HID

EXTERIOR

MODEL	MOUNTING	LAMP	VOLT	OPTICS	OPTIONS	COLOUR
8000	HC <i>hollow ceiling</i>	70H <i>metal halide ed-17 medium</i>	120*	CTG* <i>.156" clear tempered glass</i>	CG <i>cast guard</i>	WT <i>white texture</i>
	CP <i>concrete pour</i>	50H <i>metal halide ed-17 medium</i>	208	PR <i>industrex tempered glass</i>	AUX <i>auxiliary lighting system - quartz restrike</i>	BT <i>black texture</i>
		70S <i>metal halide ed-17 medium</i>	240	SM <i>silver metallic</i>		
		50S <i>metal halide ed-17 medium</i>	277	AN <i>aluminum natural</i>		
			347	BZ <i>bronze</i>		
					GM <i>gunmetal</i>	
						WS <i>white satin</i>
						BM <i>black matte</i>
						RAL <i>specify no.</i>

*Standard configuration unless otherwise specified

SAMPLE CATALOG NUMBER: 8000 - HC - 70H - 120 - CTG - WT

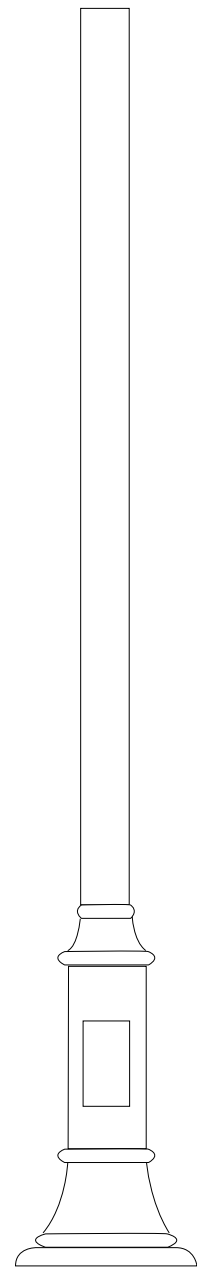
Using this catalog number would order 1 model 8000 recessed exterior luminaire for a hollow ceiling application with a 70 watt metal halide ballast wired to 120 volts with a .156" clear tempered glass lens and white texture paint on the trim. Lamps by others.

CONSTRUCTION	MOUNTING	OPTICAL	PROTECTION
<p>Materials Housing: Zinc-coated steel. Trim: Pressure die cast aluminum. Reflector: Spun aluminum with clear ALZAK finish. Junction Box: Die cast aluminum. Lens: Clear, tempered glass or optional prismatic, tempered glass.</p> <p>Electrical Components Ballast: Core & coil, -20°F start with thermal cut out switch on hollow ceiling version.</p>	<p>The 8000 series is offered in two housing styles - hollow ceiling, T-bar drywall or plaster or, alternatively, concrete pour construction. The hollow ceiling units are provided with adjustable mounting hanger brackets and are for non-insulated ceilings (non-IC). Insulation materials, if present, must be kept 3" away from housing. The concrete pour housing is suitable for pour in place situations. Junction box is suitable for thru-wiring with 4 no. 12 AWG or 4 no. 14 AWG through branch circuit conductors plus ground, suitable for 90°C.</p>	<p>The 8000 series reflectors are precision formed from high purity aluminum and polished and anodized to low iridescent ALZAK standards. Horizontal lamp positioning ensures low brightness performance with sharp cut off to lamp and lamp image.</p>	<p>The 8000 series is listed for use in wet locations to UL and CSA Standards.</p> <p>Trims are triple gasketed to exclude contaminants from the reflector cavity to ensure longevity of optical performance.</p> <p>The tamper resistant stainless steel fasteners secure trim to housing. Tempered glass lenses are provided and a cast guard is an optional extra.</p>



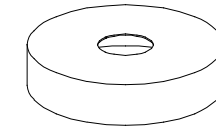
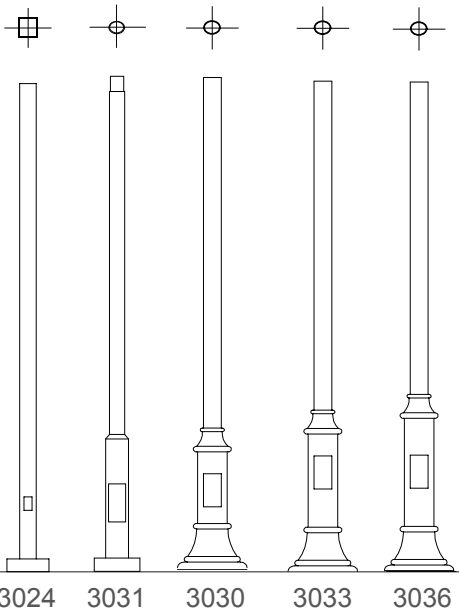
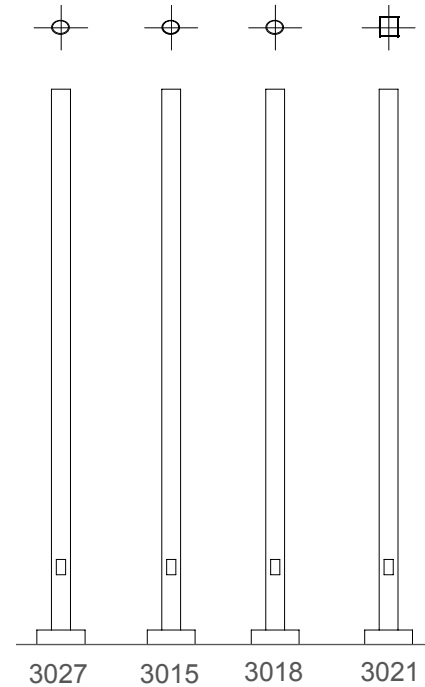


POLES

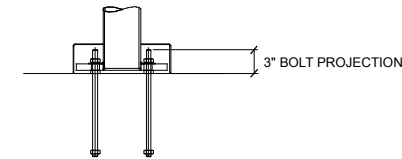


POLES

POLES



OPTIONAL ROUND BASE COVER



Poles 3027 Steel Straight 3" Diameter .180 Wall

MODEL	HEIGHT	WEIGHT	EPA RATING			ANCHOR BOLTS	OPTIONS	COLOUR	
			70	80	100				
3027	8	43	24.5	18.5	11.5	3/4 - 24	DR	<i>duplex receptacle weather tight</i>	WT <i>white texture</i>
	10	54	18.7	14.0	8.5	3/4 - 24	GFI	<i>ground fault interrupting duplex receptacle</i>	BT <i>black texture</i>
	12	65	14.6	10.8	6.4	3/4 - 24		SM <i>silver metallic</i>	
	14	76	12.0	8.7	4.9	3/4 - 24	AN <i>aluminum natural</i>		
	16	87	9.4	6.7	3.5	3/4 - 24	TP <i>tamper proof hand hole screws</i>	BZ <i>bronze</i>	
							BCR	<i>two piece round base cover</i>	GM <i>gunmetal</i>
									WS <i>white satin</i>
									BM <i>black matte</i>
									RAL <i>specify no.</i>

OPTIONAL POLE TOP CONFIGURATION

- Specify:
- Tenon
 - Drilled Hole Pattern
 - Plain (no holes)
 - Top Cap

*Standard configuration unless otherwise specified

SAMPLE CATALOG NUMBER: 3027 - 12 - WT

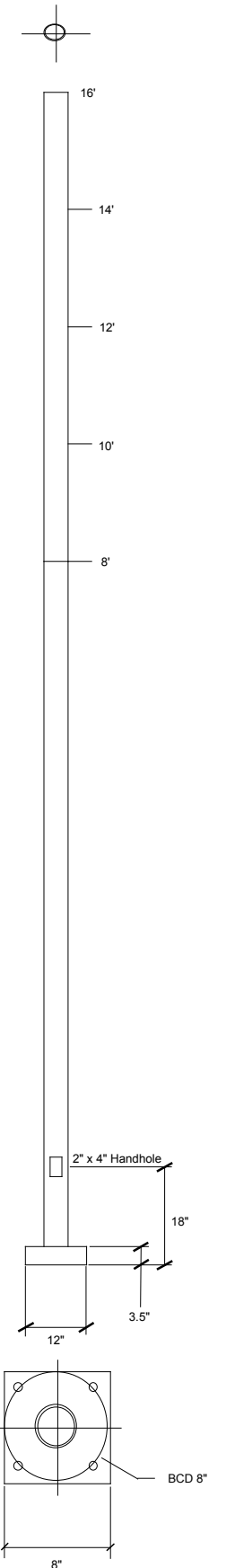
SPECIFICATIONS

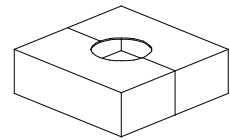
Pole:
Made from high strength electric welded steel tubing that is welded to the top and bottom of a steel base plate. Maintenance opening (2" x 4") is provided for with ground lug and cover.

Base Cover:
One piece spun aluminum.

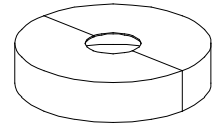
FINISH

Finish - Galvanized
'Hot etch' chemical bath process with polyester powder coat. 4 mil thickness top coat.
Standard colours: See Rebelle colour chart. RAL colours optional
UV resistance to ASTM #67 and salt spray resistance to ASTM #D2247.

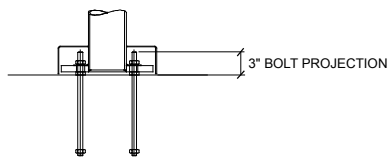




OPTIONAL SQUARE BASE COVER



OPTIONAL ROUND BASE COVER



Poles 3015 Steel Straight 4" Diameter .125 Wall

MODEL	HEIGHT	WEIGHT	EPA RATING			ANCHOR BOLTS	OPTIONS	COLOUR
			70	80	100			
3015	8	55	27.5	21.2	13.4	3/4 - 24	DR <i>duplex receptacle weather tight</i>	WT <i>white texture</i>
	10	65	21.8	16.6	10.3	3/4 - 24	GFI <i>ground fault interrupting duplex receptacle</i>	BT <i>black texture</i>
	12	75	17.6	13.2	8.0	3/4 - 24	TP <i>tamper proof hand hole screws</i>	SM <i>silver metallic</i>
	14	85	11.8	8.8	5.1	3/4 - 24	LS <i>provision for loud speaker outlet</i>	AN <i>aluminum natural</i>
	15	90	9.9	7.3	4.3	3/4 - 24	PCB <i>button type photocell (specify voltage)</i>	BZ <i>bronze</i>
	16	95	8.4	6.2	3.5	3/4 - 24	PCQ <i>quarter turn photocell (specify voltage)</i>	GM <i>gunmetal</i>
	18	105	6.0	4.3	2.2	3/4 - 24	BCR <i>two piece round base cover</i>	WS <i>white satin</i>
	20	115	4.5	3.0	1.2	3/4 - 24	BCS <i>two piece square base cover</i>	BM <i>black matte</i>
							BCH <i>hinged base design consult factory</i>	RAL <i>specify no.</i>

OPTIONAL POLE TOP CONFIGURATION

- Specify:
- Tenon
 - Drilled Hole Pattern
 - Plain (no holes)
 - Top Cap

*Standard configuration unless otherwise specified

SAMPLE CATALOG NUMBER: 3015 - 12 - WT

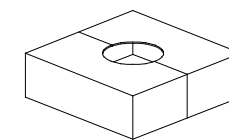
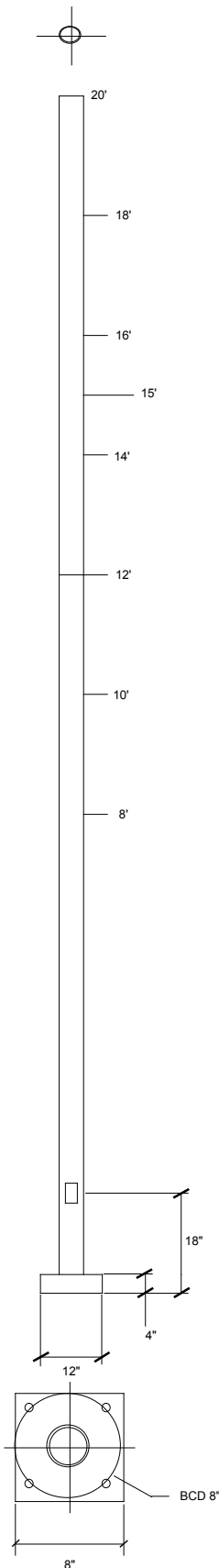
SPECIFICATIONS

Pole:
Made from high strength electric welded steel tubing and welded to top and bottom of steel base. A (2" x 4") maintenance opening is provided for with ground lug and cover.

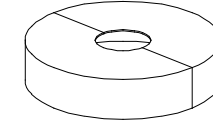
Base Cover:
Optional square, two piece base cover with mechanical attachment to pole base. Optional round base cover and hinged base design.

FINISH

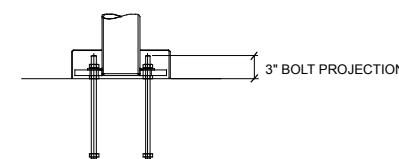
Finish - Galvanized
'Hot etch' chemical bath process with polyester powder coat. 4 mil thickness top coat.
Standard colours: See Rebelle colour chart. RAL colours optional
UV resistance to ASTM #67 and salt spray resistance to ASTM #D2247.



OPTIONAL SQUARE BASE COVER



OPTIONAL ROUND BASE COVER



Poles 3018 Steel Straight 5" Diameter .150 Wall

MODEL	HEIGHT	WEIGHT	EPA RATING			ANCHOR BOLTS	OPTIONS	COLOUR
			70	80	100			
3018	14	133	28.0	21.0	13.0	3/4 - 24	DR <i>duplex receptacle weather tight</i>	WT <i>white texture</i>
	15	141	25.0	19.0	11.0	3/4 - 24	GFI <i>ground fault interrupting duplex receptacle</i>	BT <i>black texture</i>
	16	148	21.0	16.0	10.0	3/4 - 24	TP <i>tamper proof hand hole screws</i>	SM <i>silver metallic</i>
	18	163	17.0	12.7	7.6	1 - 36	LS <i>provision for loud speaker outlet</i>	AN <i>aluminum natural</i>
	20	178	13.4	9.8	2.6	1 - 36	PCB <i>button type photocell (specify voltage)</i>	BZ <i>bronze</i>
	22	193	10.6	7.6	4.2	1 - 36	PCQ <i>quarter turn photocell (specify voltage)</i>	GM <i>gunmetal</i>
							BCS <i>two piece square base cover</i>	WS <i>white satin</i>
							BCR <i>two piece round base cover</i>	BM <i>black matte</i>
							BCH <i>hinged base design consult factory</i>	RAL <i>specify no.</i>

OPTIONAL POLE TOP CONFIGURATION

- Specify:
- Tenon
 - Drilled Hole Pattern
 - Plain (no holes)
 - Top Cap

*Standard configuration unless otherwise specified

SAMPLE CATALOG NUMBER: 3018 - 14 - WT

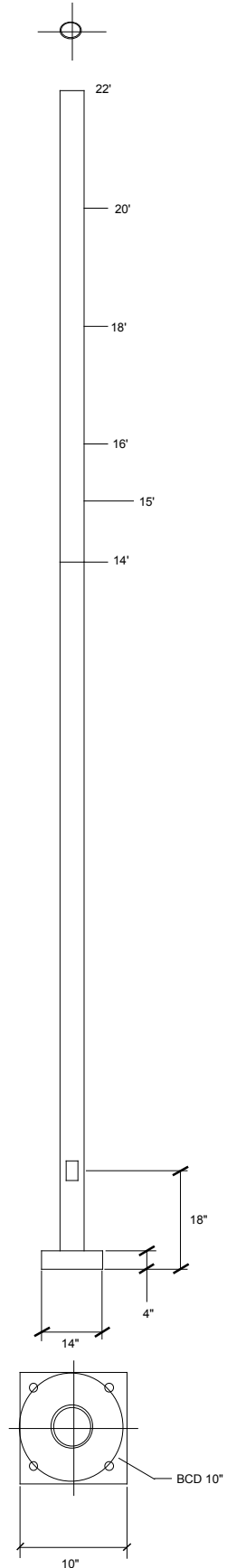
SPECIFICATIONS

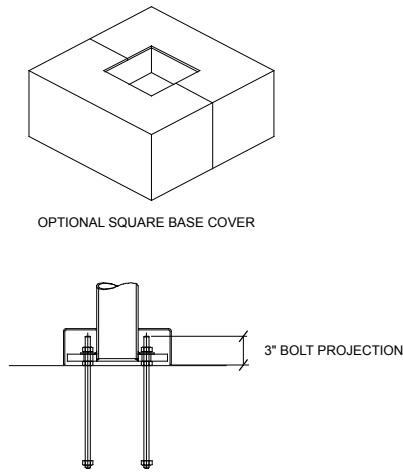
Pole:
Made from high strength electric welded steel tubing and welded to top and bottom of steel base. A (2" x 4") maintenance opening is provided for with ground lug and cover.

Base Cover:
Optional round, two piece base cover with mechanical attachment to pole base. Optional square base cover and hinged base designs.

FINISH

Finish - Galvanized
'Hot etch' chemical bath process with polyester powder coat. 4 mil thickness top coat.
Standard colours: See Rebelle colour chart. RAL colours optional
UV resistance to ASTM #67 and salt spray resistance to ASTM #D2247.





Poles 3021 Steel Straight 4" Square .120 Wall

MODEL	HEIGHT	WEIGHT	EPA RATING			ANCHOR BOLTS	OPTIONS	COLOUR
			70	80	100			
3021	8	65	30.0	25.1	15.7	3/4 - 24	DR <i>duplex receptacle weather tight</i>	WT <i>white texture</i>
	10	76	26.0	19.7	12.1	3/4 - 24	GFI <i>ground fault interrupting duplex receptacle</i>	BT <i>black texture</i>
	12	88	21.2	15.9	9.4	3/4 - 24	TP <i>tamper proof hand hole screws</i>	SM <i>silver metallic</i>
	14	100	14.1	10.4	5.9	3/4 - 24	LS <i>provision for loud speaker outlet</i>	AN <i>aluminum natural</i>
	15	105	12.8	9.3	5.1	3/4 - 24	PCB <i>button type photocell (specify voltage)</i>	BZ <i>bronze</i>
	16	112	11.5	8.2	4.3	3/4 - 24	PCQ <i>quarter turn photocell (specify voltage)</i>	GM <i>gunmetal</i>
	18	124	9.4	6.5	3.0	3/4 - 24	BCS <i>two piece square base cover</i>	WS <i>white satin</i>
	20	137	7.6	5.0	1.9	3/4 - 24	BCH <i>hinged base design consult factory</i>	BM <i>black matte</i>
								RAL <i>specify no.</i>

OPTIONAL POLE TOP CONFIGURATION

- Specify:
- Tenon
 - Drilled Hole Pattern
 - Plain (no holes)
 - Top Cap

*Standard configuration unless otherwise specified

SAMPLE CATALOG NUMBER: 3021 - 12 - WT

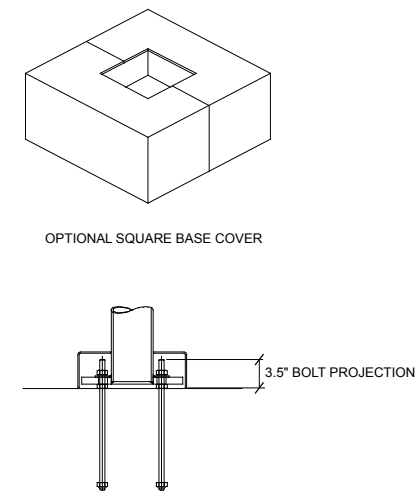
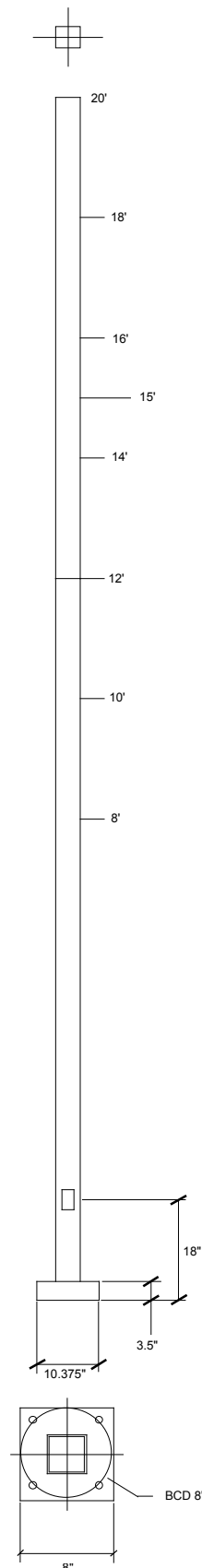
SPECIFICATIONS

Pole:
Made from high strength electric welded steel tubing and welded to top and bottom of steel base. A (2" x 4") maintenance opening is provided for with ground lug and cover.

Base Cover:
Optional square, two piece base cover with mechanical attachment to pole base. Optional hinged base design.

FINISH

Finish - Galvanized
'Hot etch' chemical bath process with polyester powder coat. 4 mil thickness top coat.
Standard colours: See Rebelle colour chart. RAL colours optional
UV resistance to ASTM #67 and salt spray resistance to ASTM #D2247.



Poles 3024 Steel Straight 5" Square .120 Wall

MODEL	HEIGHT	WEIGHT	EPA RATING			ANCHOR BOLTS	OPTIONS	COLOUR
			70	80	100			
3024	15	138	19.4	14.2	7.7	1 - 36	DR <i>duplex receptacle weather tight</i>	WT <i>white texture</i>
	18	170	14.6	10.1	4.7	1 - 36	GFI <i>ground fault interrupting duplex receptacle</i>	BT <i>black texture</i>
	20	185	10.5	8.3	3.5	1 - 36	TP <i>tamper proof hand hole screws</i>	SM <i>silver metallic</i>
	25	224	7.0	4.0	-	1 - 36	LS <i>provision for loud speaker outlet</i>	AN <i>aluminum natural</i>
	30	388*	8.0	5.0	1.5	1 - 36	PCB <i>button type photocell (specify voltage)</i>	BZ <i>bronze</i>
							PCQ <i>quarter turn photocell (specify voltage)</i>	GM <i>gunmetal</i>
							BCS <i>two piece square base cover</i>	WS <i>white satin</i>
							BCH <i>hinged base design consult factory</i>	BM <i>black matte</i>
								RAL <i>specify no.</i>

OPTIONAL POLE TOP CONFIGURATION

- Specify:
- Tenon
 - Drilled Hole Pattern
 - Plain (no holes)
 - Top Cap

*Standard configuration unless otherwise specified

SAMPLE CATALOG NUMBER: 3024 - 15 - WT

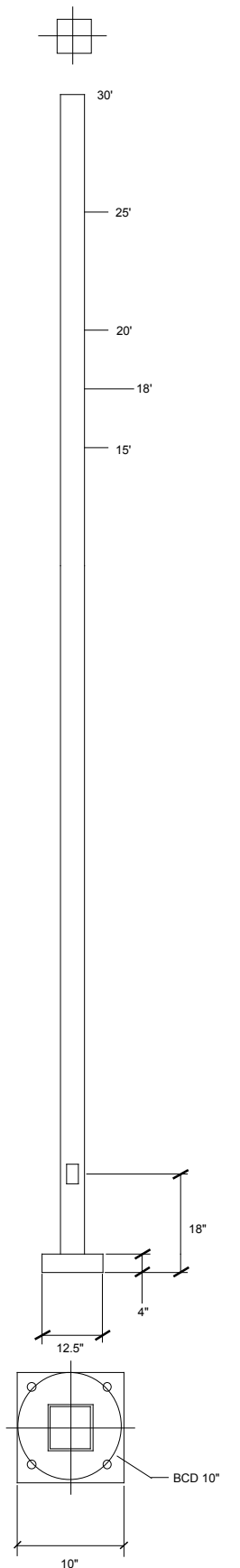
SPECIFICATIONS

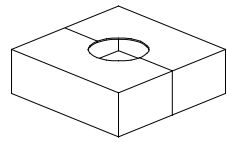
Pole:
Made from high strength electric welded steel tubing and welded to top and bottom of steel base. A 2" x 4" maintenance opening is provided with ground lug and cover.

Base Cover:
Optional square, two piece base cover with mechanical attachment to pole base. Optional hinged base design.

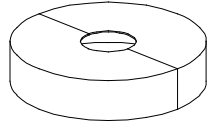
FINISH

Finish - Galvanized
'Hot etch' chemical bath process with polyester powder coat. 4 mil thickness top coat.
Standard colours: See Rebelle colour chart. RAL colours optional
UV resistance to ASTM #67 and salt spray resistance to ASTM #D2247.

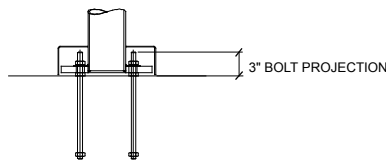




OPTIONAL SQUARE BASE COVER



OPTIONAL ROUND BASE COVER



Poles 3031 Steel Bottleneck 4" x 6" Diameter .125 Wall

MODEL	HEIGHT	WEIGHT	EPA RATING			ANCHOR BOLTS	OPTIONS	COLOUR
			70	80	100			
3031	8	85	27.5	21.2	13.4	3/4 - 24	DR <i>duplex receptacle weather tight</i>	WT <i>white texture</i>
	10	96	21.8	16.6	10.3	3/4 - 24	GFI <i>ground fault interrupting duplex receptacle</i>	BT <i>black texture</i>
	12	107	17.6	13.2	8.0	3/4 - 24	TP <i>tamper proof hand hole screws</i>	SM <i>silver metallic</i>
	14	118	11.8	8.8	5.1	3/4 - 24	LS <i>provision for loud speaker outlet</i>	AN <i>aluminum natural</i>
	15	123	9.9	7.3	4.3	3/4 - 24	PCB <i>button type photocell (specify voltage)</i>	BZ <i>bronze</i>
	16	129	8.4	6.2	3.5	3/4 - 24	PCQ <i>quarter turn photocell (specify voltage)</i>	GM <i>gunmetal</i>
	18	140	6.0	4.3	2.2	3/4 - 24	BCR <i>two piece round base cover</i>	WS <i>white satin</i>
							BCS <i>two piece square base cover</i>	BM <i>black matte</i>
								RAL <i>specify no.</i>

OPTIONAL POLE TOP CONFIGURATION

- Specify:
- Tenon
 - Drilled Hole Pattern
 - Plain (no holes)
 - Top Cap

*Standard configuration unless otherwise specified

SAMPLE CATALOG NUMBER: 3031 - 12 - WT

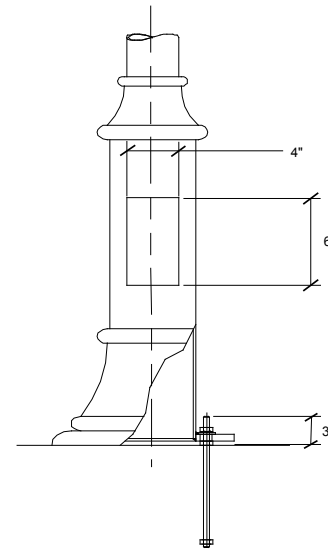
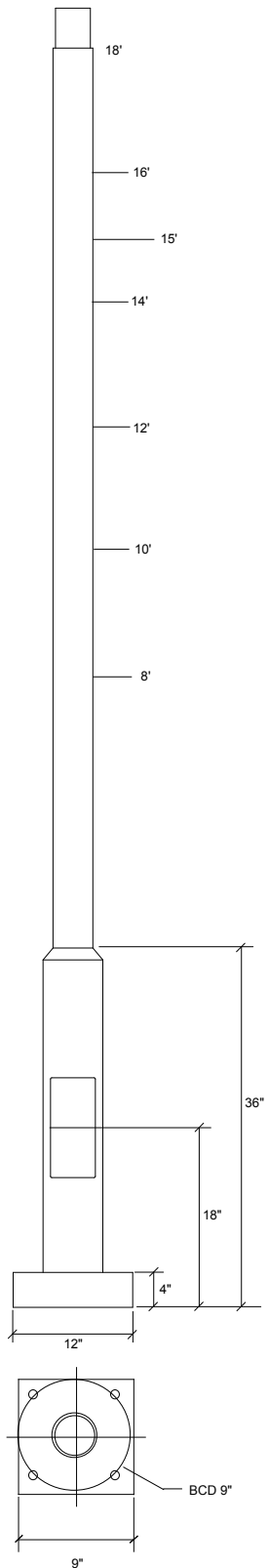
SPECIFICATIONS

Pole:
Made from high strength electric welded steel tubing using 4 inch diameter pole material welded over and in a 6 inch diameter pole base. Assembly is welded to the top and bottom of a steel base plate. A 4.5" x 10" maintenance opening is provided with a ground lug and provision for 3x4 core and coil ballast tray.

Base Cover:
Optional round or square, two piece base cover with mechanical attachment to pole base.

FINISH

Finish - Galvanized
'Hot etch' chemical bath process with polyester powder coat. 4 mil thickness top coat.
Standard colours: See Rebelle colour chart. RAL colours optional
UV resistance to ASTM #67 and salt spray resistance to ASTM #D2247.



Poles 3030 Steel Bottleneck 4" x 6 5/8" Diameter .125 Wall

MODEL	HEIGHT	WEIGHT	EPA RATING			ANCHOR BOLTS	OPTIONS	COLOUR
			70	80	100			
3030	8	85	30.0	30.0	20.8	3/4 - 24	N/A <i>none available consult factory</i>	WT <i>white texture</i>
	10	95	30.0	23.5	15.2	3/4 - 24		BT <i>black texture</i>
	12	105	23.6	18.3	11.6	3/4 - 24		SM <i>silver metallic</i>
	14	115	15.5	11.8	7.3	3/4 - 24		AN <i>aluminum natural</i>
	15	120	14.0	10.5	6.4	3/4 - 24		BZ <i>bronze</i>
	16	125	12.4	9.0	5.5	3/4 - 24		GM <i>gunmetal</i>
	18	135	9.0	6.5	3.7	3/4 - 24		WS <i>white satin</i>
	20	145	6.6	4.6	2.3	3/4 - 24		BM <i>black matte</i>
								RAL <i>specify no.</i>

OPTIONAL POLE TOP CONFIGURATION

- Specify:
- Tenon
 - Drilled Hole Pattern
 - Plain (no holes)
 - Top Cap

*Standard configuration unless otherwise specified

SAMPLE CATALOG NUMBER: 3030 - 12 - WT

SPECIFICATIONS

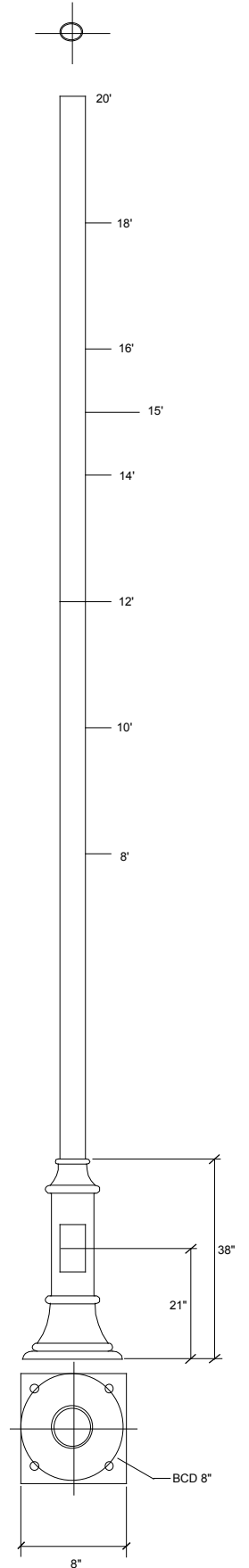
Pole:
Made from high strength electric welded steel tubing using 4 inch diameter pole material welded over and in a 6 5/8 inch diameter pole base. Assembly is welded to the top and bottom of a steel base plate. A 4" x 9" maintenance opening is provided with a ground lug.

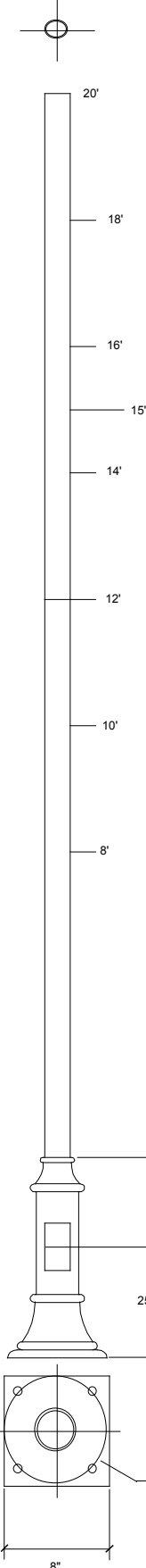
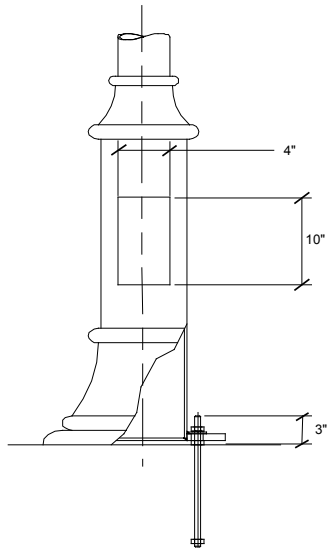
Base Cover:
Cast aluminum two piece assembly that is mechanically fastened to a base with stainless steel fasteners.

Transition Cover:
Cast aluminum two piece assembly that is joined using stainless steel screws to junction.

FINISH

Finish - Galvanized
'Hot etch' chemical bath process with polyester powder coat. 4 mil thickness top coat.
Standard colours: See Rebelle colour chart. RAL colours optional
UV resistance to ASTM #67 and salt spray resistance to ASTM #D2247.





Poles 3033 Steel Bottleneck 4" x 8 5/8" Diameter .125 Wall

MODEL	HEIGHT	WEIGHT	EPA RATING			ANCHOR BOLTS	OPTIONS	COLOUR
			70	80	100			
3033	8	117	30.0	30.0	22.5	3/4 - 24	N/A <i>none available consult factory</i>	WT <i>white texture</i>
	10	127	30.0	25.2	16.2	3/4 - 24		BT <i>black texture</i>
	12	137	25.0	19.3	12.3	3/4 - 24		SM <i>silver metallic</i>
	14	146	16.2	12.3	7.6	3/4 - 24		AN <i>aluminum natural</i>
	15	151	14.6	10.9	6.7	3/4 - 24		BZ <i>bronze</i>
	16	156	13.3	10.0	6.0	3/4 - 24		GM <i>gunmetal</i>
	18	166	10.0	7.4	4.2	3/4 - 24		WS <i>white satin</i>
	20	177	7.3	5.1	2.5	3/4 - 24		BM <i>black matte</i>
								RAL <i>specify no.</i>

OPTIONAL POLE TOP CONFIGURATION

- Specify:
- Tenon
 - Drilled Hole Pattern
 - Plain (no holes)
 - Top Cap

**Standard configuration unless otherwise specified*

SAMPLE CATALOG NUMBER: 3033 - 12 - WT

SPECIFICATIONS

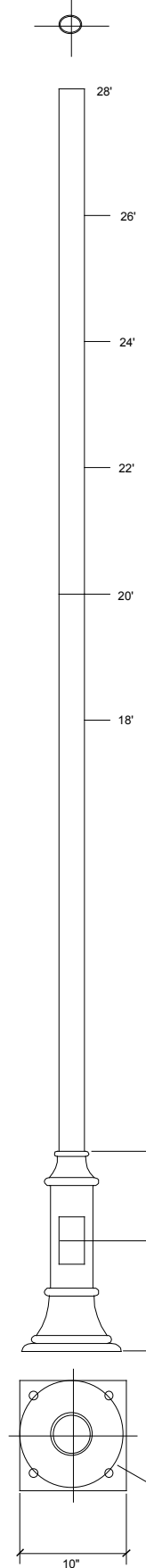
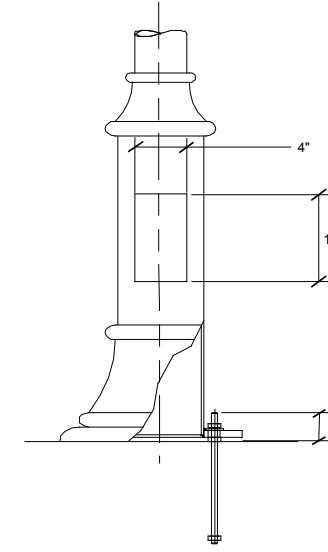
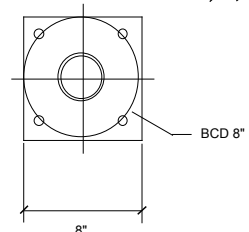
Pole:
Made from high strength electric welded steel tubing using 4 inch diameter pole material welded over and in a 8 5/8 inch diameter pole base. Assembly is welded to top and bottom of a steel base plate. A 4" x 10" maintenance opening is provided with ground lug.

Base Cover:
Cast aluminum two piece assembly that is mechanically fastened to a base with stainless steel fasteners.

Transition Cover:
Cast aluminum two piece assembly that is joined using stainless steel screws to junction.

FINISH

Finish - Galvanized
'Hot etch' chemical bath process with polyester powder coat. 4 mil thickness top coat.
Standard colours: See Rebelle colour chart. RAL colours optional
UV resistance to ASTM #67 and salt spray resistance to ASTM #D2247.



Poles 3036 Steel Bottleneck 5 9/16" x 8 5/8" Diameter .250 Wall

MODEL	HEIGHT	WEIGHT	EPA RATING			ANCHOR BOLTS	OPTIONS	COLOUR
			70	80	100			
3036	18	258	30.0	30.0	24.8	1 - 36	N/A <i>none available consult factory</i>	WT <i>white texture</i>
	20	287	30.0	30.0	18.9	1 - 36		BT <i>black texture</i>
	22	315	30.0	24.2	14.6	1 - 36		SM <i>silver metallic</i>
	24	344	26.2	19.3	11.3	1 - 36		AN <i>aluminum natural</i>
	26	372	21.3	15.5	8.7	1 - 36		BZ <i>bronze</i>
	28	400	17.4	12.4	6.6	1 - 36		GM <i>gunmetal</i>
								WS <i>white satin</i>
								BM <i>black matte</i>
								RAL <i>specify no.</i>

OPTIONAL POLE TOP CONFIGURATION

- Specify:
- Tenon
 - Drilled Hole Pattern
 - Plain (no holes)
 - Top Cap

**Standard configuration unless otherwise specified*

SAMPLE CATALOG NUMBER: 3036 - 18 - WT

SPECIFICATIONS

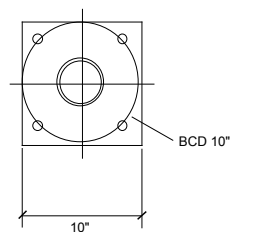
Pole:
Made from high strength electric welded steel tubing using 5 9/16 inch diameter pole material welded over and in a 8 5/8 inch diameter pole base. Assembly is welded to the top and bottom of a steel base plate. A 4" x 10" maintenance opening is provided with a ground lug.

Base Cover:
Cast aluminum two piece assembly that is mechanically fastened to a base with stainless steel fasteners.

Transition Cover:
Cast aluminum two piece assembly that is joined using stainless steel screws to junction.

FINISH

Finish - Galvanized
'Hot etch' chemical bath process with polyester powder coat. 4 mil thickness top coat.
Standard colours: See Rebelle colour chart. RAL colours optional
UV resistance to ASTM #67 and salt spray resistance to ASTM #D2247.



PRODUCT FAMILY INDEX

Orchestra Circle		Saturna Cont'd		Streamline		Poles Cont'd	
2756T	23	4001	82	6032Z	147	3030	219
2757T	24	4000	83	6030U	148	3033	220
2756A	25	5008	87	6030D	149	3036	221
2756A2	26	5008H	88				
2756B	27	5008C	89	CYL-003			
2757B	28	5008NG	90	7600	159		
2756W	29	5009	91	7601	160		
2756S	30	5009H	92	7600T	161		
2756P	31	5009C	93	7100	162		
2757P	32	5009NG	94	7000	163		
2756	33			7010	164		
2757	34	Streamline		7200	165		
2757W	35	6002	105	7200P	166		
2757S	36	6001	106	7500	171		
		6000	107	7501	172		
		6011	108	7502	173		
Orchestra Ellipse		6010	109	7504	174		
2810T	47	6009	110			Sightlines	
2809T	48	6008	111	1976	183		
2810A	49	6007	112	1185	184		
2810A2	50	6006	113	1572	185		
2809B	51	6014	114	1573R	186		
2810W	52	6013	115	1573	187		
2810P	53	6017	116	1645V	188		
2809P	54	6016	117	1645	189		
2810	55	6023	118	1635	190		
2809	56	6022	119	2400	191		
2809W	57	6005	123	1572SS	195		
		6004	124	1573RSS	196		
Saturna		6003	125	1573SS	197		
4007X2	67	6005U	126	1645SS	198		
4007	68	6004U	127	1635SS	199		
4006	69	6003U	128	2400SS	200		
4005	70	6005Z	129	8000CF	205		
4004	71	6004Z	130	8000HID	206		
4013	72	6003Z	131			Poles	
4012	73	6019	132			3027	213
4007A	74	6018	133			3015	214
4015	75	6021	134			3018	215
4014	76	6020	135			3021	216
4010T	78	6005IY	139			3024	217
4009	79	6004IY	140			3030	219
4003	80	6001P	141			3031	218
4002	81	6000P	142			3036	221
						3033	220

LUMINAIRE TYPE INDEX

Post Top		Wall Mount Arm Cont'd		Recessed Cont'd		Pendant - Indirect	
2756T	23	6007	113	1645	189	6013	115
2757T	24	6008	111	1645V	188	6014	114
2809T	48	6009	110	2400	191	6016	117
2810T	47	6010	109	1635	190	6017	116
2756A	25	6011	108	1572SS	195	6022	119
2756A2	26	4010T	78	1573RSS	196	6023	118
2810A	49	4014	76	1573SS	197	7502	173
2810A2	50	4015	75	1645SS	198	7504	174
4007	68	6005U	126	1635SS	199		
4007A	74	6004U	127	2400SS	200		
4007X2	67	6004Z	130	8000CF	205		
4006	69	6003U	128	8000HID	206		
4010	77	6003Z	131	5009	91		
6018	133	7600T	161	5009H	92		
6019	132	3032Z	147	5009C	93		
6020	135			5009NG	94		
6021	134						
7601	160	Wall Mount Large		Sconce			
7600	159	6001	106	2756S	30		
		6002	105	2757S	36		
		6004	124	4013	72		
Vertical Surface Wash		6005	123	4012	73		
6005IY	139	7500	171	6030U	148		
6004IY	140	7501	172	6005Z	129		
6001P	141			6030D	149		
6000P	142	Ceiling Mount					
		4000	83	Poles			
Wall Mount Small		4001	82	3027	213		
6000	107	2756	33	3018	215		
6003	125	2757	34	3015	214		
5008	87	2810	55	3021	216		
5008H	88	2809	56	3024	217		
5008C	89	7200	163	3030	219		
5008NG	90			3031	218		
7010	164	Bollards		3036	221		
7000	163	2756B	27	3033	220		
7100	162	2757B	28				
		2809B	51	Pendant - Direct			
Wall Mount Arm		4009	79	2756P	31		
2756W	29			2757P	32		
2757W	35	Recessed		2810P	53		
2809W	57	1976	183	2809P	54		
2810W	52	1572	185	4002	81		
4004	71	1573R	186	4003	80		
4005	70	1573	187	7200P	166		
6006	69	1185	184				

ALPHANUMERICAL INDEX

1185	184	3024	217	6005	123
1572	185	3027	213	6005IY	139
1572SS	195	3030	219	6005U	126
1573	187	3031	218	6005Z	129
1573R	186	3033	220	6006	113
1573RSS	196	3036	221	6007	112
1573SS	197	4000	83	6008	111
1635	121	4001	82	6009	110
1635SS	199	4002	81	6010	109
1645	189	4003	80	6011	108
1645SS	198	4004	71	6013	115
1645V	188	4005	70	6014	114
1976	183	4006	69	6016	117
2400	191	4007	68	6017	116
2400SS	200	4007A	74	6018	133
2756	33	4007X2	67	6019	132
2756A	25	4009	79	6020	135
2756A2	26	4010	77	6021	134
2756B	27	4010T	78	6022	119
2756P	31	4012	73	6023	118
2756S	30	4013	72	6030U	163
2756T	23	4014	76	6030D	147
2756W	29	4015	75	3032Z	148
2757	34	5008	87	7000	149
2757B	28	5008C	89	7010	164
2757P	32	5008H	88	7100	162
2757S	36	5008NG	90	7200	165
2757T	24	5009	91	7200P	166
2757W	35	5009C	23	7500	171
2809	56	5009H	92	7501	172
2809B	51	5009NG	94	7502	173
2809P	54	6000	107	7504	174
2809T	48	6000P	142	7600	159
2809W	57	6001	106	7600T	161
2810	55	6001P	141	7601	160
2810A	49	6002	105	8000HID	206
2810A2	50	6003	125	8000CF	205
2810P	53	6003U	128		
2810T	37	6003Z	131		
2810W	52	6004	124		
3015	214	6004IY	140		
3018	215	6004U	127		
3021	216	6004Z	130		



SATURNA 4010T MINI WALL ARM MOUNT



REBELLE
ARCHITECTURAL
LIGHTING

11475 - 201A Street, Maple Ridge, B.C. Canada V2X 0Y3 P 604.465.5739
F 604.465.9801 E info@rebelighting.com W rebelighting.com

