

Tessaera 3204LED Wall Mount

INTERIOR/EXTERIOR

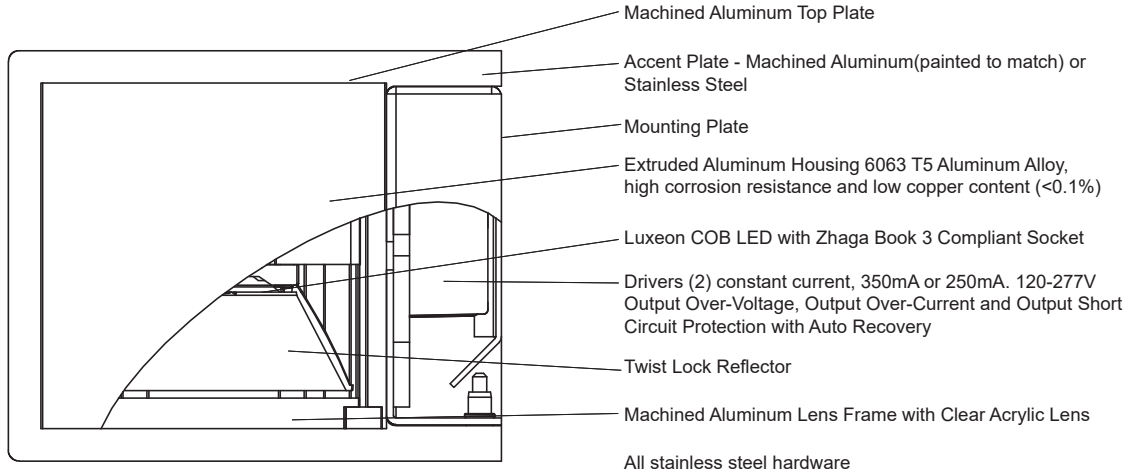
MODEL	LED MODULE	COLOR TEMPERATURE	VOLT	DISTRIBUTION	ACCENT PLATE	OPTIONS	COLOR
3204	2 x 12L <i>2 x 12 watts¹ 2438 lumens²</i>	40* 4000K	120*	SP 19° spot	1* painted plate (std)	DIM 0 - 10 volt dimming	WT white texture
		35 3500K	208	FL 30° flood	3 stainless steel plate	90 90 CRI	BT black texture
	30 3000K	240	WFL 45° wide flood	SM silver metallic			
	27 2700K	277	VWFL 94° very wide flood	AN aluminum natural			
	2 x 9L <i>2 x 9 watts¹ 1860 lumens²</i>			T3 type III optic ³			BZ bronze
							GM gunmetal
							WS white satin
							BM black matte
							RAL specify no.

*Standard configuration unless otherwise specified ¹Nominal LED Power ²Delivered lumens (4000K, 80CRI) ³See Tessaera 3101 specification sheet for details

SAMPLE CATALOG NUMBER: 3204 - 2 x 12L - 40 - 120 - SP - 1 - WT

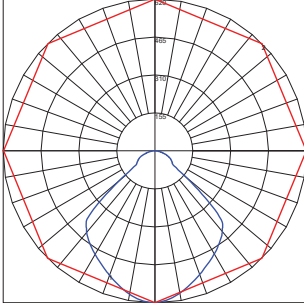
Using this catalog number would order 1 model 3204 wall mount luminaire using spot optics and 2 - 12 watt LED modules with a color temperature of 4000K wired to 120 volts, painted white texture polyester powder coat with the accent plate painted to match.

CONSTRUCTION	MOUNTING	OPTICAL	PROTECTION
<p>Materials All aluminum construction, stainless steel tamper resistant hardware, acrylic lens.</p> <p>Electrical Components Constant current driver 350mA or 250mA, Luxeon COB with Zhaga compliant socket, 80 CRI standard. Optional dimming driver compatible with IEC60929:2006 0-10V ballast controls.</p>	<p>The 3204LED series is designed for wall mounting. A heavy gauge mounting plate is secured to the wall and mounted independently of the recessed 4" octagon j-box (by others). The main housing hooks on to the mounting plate and is secured by two stainless steel set screws. For outdoor applications silicone seal is required across the top and down the sides between the housing and mounting surface. Maximum fixture weight 9 lbs.</p>	<p>The 3204LED luminaire uses Chip-on-Board technology with Zhaga Book 3 compliant socket, field changeable high efficiency twist lock reflectors and clear acrylic lens.</p>	<p>The 3204LED series is listed for use in wet locations to UL and CSA Standards. Reported L70 (10k) >55,000 hours per TM-21. Calculated L70 >100,000 hours at 45°C ambient. IP65 rated.</p>

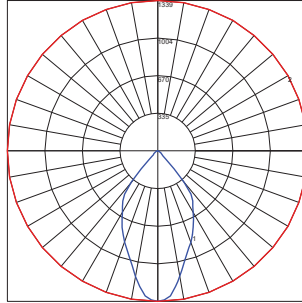


Tessera 3204LED

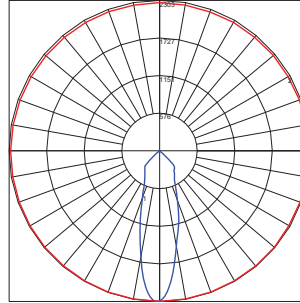
VWFL (94° Very Wide Flood Optic)



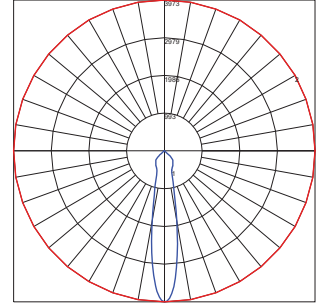
WFL (45° Wide Flood Optic)



FL (30° Flood Optic)



SP (19° Spot Optic)



Product	CCT	CRI	Delivered Lumens	Nominal LED Power	System Power	Lumens per Watt*
3204-12L	4000	80	2438	2 x 12 watts	27.26 watts	89.4
3204-9L	4000	80	1860	2 x 9 watts	19.28 watts	96.5
Lumen Multipliers		3500K - 0.962	3000K - 0.944	2700K - 0.923	90 CRI - 0.842	

*Based on system power.