

# Tessera 3203LED Up/Down Wall Mount

INTERIOR/EXTERIOR

MODEL	LED MODULE	COLOR TEMPERATURE	VOLT	DISTRIBUTION - UP	DISTRIBUTION - DOWN	ACCENT PLATE	OPTIONS	COLOR	
3203	1 x 12L <sup>5</sup> <i>1 x 12 watts<sup>1</sup> 1219 lumens<sup>2</sup></i>	40*	4000K	120*	SP 19° spot	SP 19° spot	0 no accent plate	DIM* 0 - 10 volt dimming	WT white texture
	2 x 12L <i>2 x 12 watts<sup>1</sup> 2438 lumens<sup>2</sup></i>	35	3500K	208	FL 30° flood	FL 30° flood	1( ) painted plate (specify finish, std paint to match)	90 90 CRI	BT black texture
	1 x 9L <sup>5</sup> <i>1 x 9 watts<sup>1</sup> 930 lumens<sup>2</sup></i>	27	2700K	277	VWFL 94° very wide flood	VWFL 94° very wide flood			SM silver metallic
	2 x 9L <i>2 x 9 watts<sup>1</sup> 1860 lumens<sup>2</sup></i>				PB+ pencil beam <sup>5</sup> 8 watts <sup>1</sup> 3000K and 4000K only	T3 type III optic <sup>3</sup> PB pencil beam <sup>5</sup> 8 watts <sup>1</sup> 3000K and 4000K only	3 stainless steel plate		AN aluminum natural
									BZ bronze
									GM gunmetal
									WS white satin
									BM black matte
									RAL specify no.

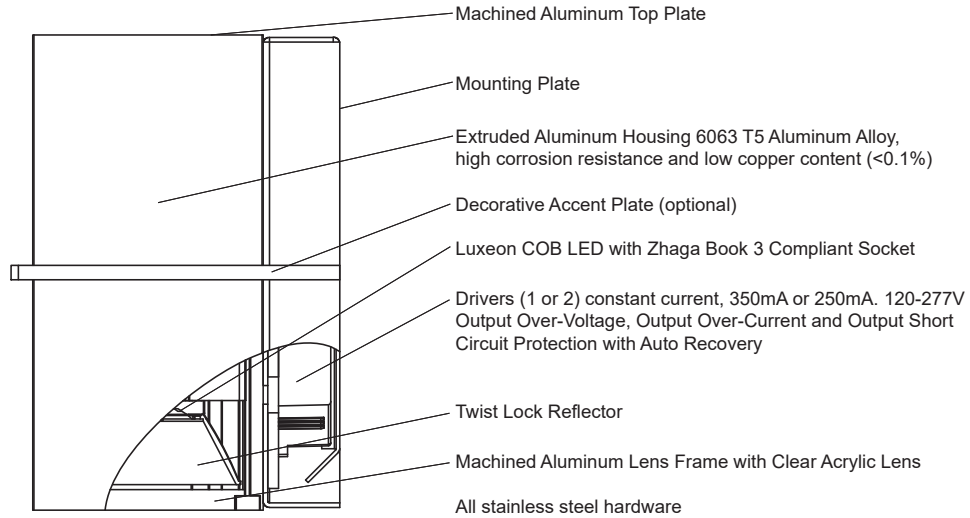
<sup>1</sup>Nominal LED Power <sup>2</sup>Delivered lumens (4000K, 80CRI), not applicable to PB  
<sup>3</sup>See Tessera 3101 specification sheet for details <sup>4</sup>Not available with pencil beam optic  
<sup>5</sup>Pencil beam LED module has a nominal LED power of 8 watts, replaces COB LED module watts. Not available in 347 volt.  
<sup>6</sup>If ordering single module specify whether up(U) or down(D) distribution is desired ie. 3203-1x12L-40-120-FL(D)-0-WT

\*Standard configuration unless otherwise specified

SAMPLE CATALOG NUMBER: 3203 - 2 x 12L - 40 - 120 - SP - SP - 1(WT) - WT

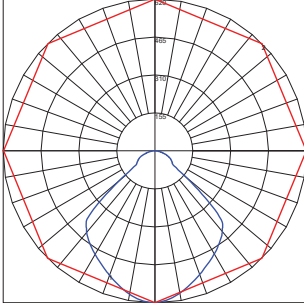
Using this catalog number would order 1 model 3203 wall mount luminaire using 2 - 12 watt LED modules with spot optics for the up and down distribution with a color temperature of 4000K wired to 120 volts, painted white texture polyester powder coat with the decorative accent plate painted to match the luminaire.

CONSTRUCTION	MOUNTING	OPTICAL	PROTECTION
<p><b>Materials</b> All aluminum construction, stainless steel tamper resistant hardware, acrylic lens.</p> <p><b>Electrical Components</b> Constant current driver 350mA or 250mA, Luxeon COB with Zhaga compliant socket, 80 CRI standard. Pencil beam uses a proprietary PCB. Optional dimming driver compatible with IEC60929:2006 0-10V ballast controls.</p>	<p>The 3203LED series is designed for wall mounting. A heavy gauge mounting plate is secured to the wall and mounted independently of the recessed 4" octagon j-box (by others). The main housing hooks on to the mounting plate and is secured by two stainless steel set screws. For outdoor applications silicone seal is required across the top and down the sides between the housing and mounting surface. Maximum fixture weight 9 lbs.</p>	<p>The 3203LED luminaire uses Chip-on-Board technology with Zhaga Book 3 compliant socket, field changeable high efficiency twist lock reflectors and clear acrylic lens. Pencil beam optic is a fixed optic (FWHM 7° x 55°) mounted to a proprietary PCB.</p>	<p>The 3203LED series is listed for use in wet locations to UL and CSA Standards. Reported L70 (10k) &gt;55,000 hours per TM-21. Calculated L70 &gt;100,000 hours at 45°C ambient. IP65 rated.</p>

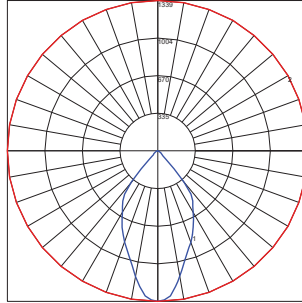


## Tessera 3203LED

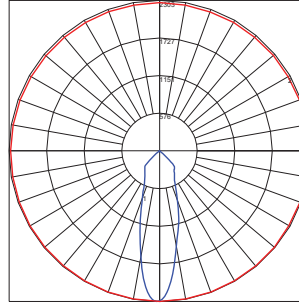
VWFL (94° Very Wide Flood Optic)\*



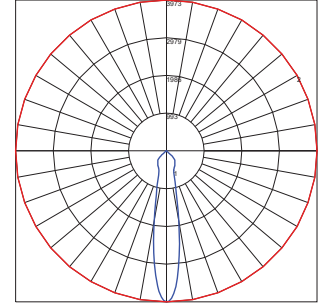
WFL (45° Wide Flood Optic)\*



FL (30° Flood Optic)\*



SP (19° Spot Optic)\*



\*Based on 12L down only

Product	CCT	CRI	Delivered Lumens	Nominal LED Power	System Power	Lumens per Watt*
3203-2x12L	4000	80	2438	2 x 12 watts	27.26 watts	89.4
3203-1x12L	4000	80	1219	1 x 12 watts	13.63 watts	89.4
3203-2x9L	4000	80	1860	2 x 9 watts	19.28 watts	96.5
3203-1x9L	4000	80	930	1 x 9 watts	9.64 watts	96.5

Lumen Multipliers	3500K - 0.962	3000K - 0.944	2700K - 0.923	90 CRI - 0.842
-------------------	---------------	---------------	---------------	----------------

\*Based on system power.