

Orchestra Circle 2757BLED Mini Landscape Bollard EXTERIOR

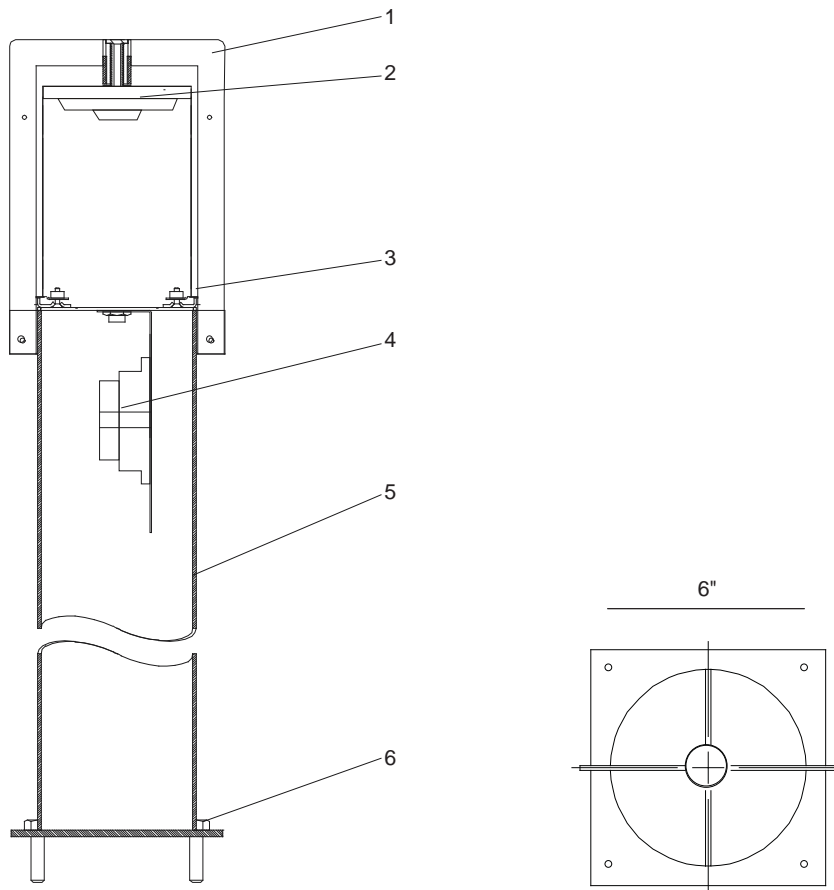
MODEL	LED		VOLT	SHIELD	DIFFUSER	OPTIONS	COLOR
	WATTS	COLOR TEMPERATURE					
2757B	20L	40* 4000K	120*	PF <i>perforated liner</i>	RF* <i>frost</i>	RD <i>reflector disk</i>	WT <i>white texture</i>
		35 3500K	208			BCS <i>base cover - square</i>	BT <i>black texture</i>
		30 3000K	240			DIM <i>dimming (0-10 volt)</i>	SM <i>silver metallic</i>
			277			90 <i>90 CRI</i>	AN <i>aluminum natural</i>
			347+				BZ <i>bronze</i>
						GM <i>gunmetal</i>	WS <i>white satin</i>
							BM <i>black matte</i>
							RAL <i>specify no.</i>

*Standard configuration unless otherwise specified ¹Source lumens +Consult factory

SAMPLE CATALOG NUMBER: 2757B - 20L - 40 - 120 - RF - WT

Using this catalog number would order 1 model 2757BLED mini landscape bollard with a 20 watt LED light engine, 4000K, 80 CRI wired to 120 volts with frosted polycarbonate lens and painted with white texture polyester powder coat.

CONSTRUCTION	MOUNTING	OPTICAL	PROTECTION
<p>Materials</p> <p>Frame support: Aluminum plate. Bollard shaft: Extruded aluminum. Base plate: 0.500" aluminum plate welded to shaft. Diffusers (side): Thermo-formed polycarbonate. Fasteners: Stainless steel. Anchor bolts: Hot dipped, galvanized nuts, bolts and washers.</p> <p>Electrical Components</p> <p>Driver: Constant current. 550mA, 120-277 volt input, IP66 rated. LED: COB 1205, 80 CRI standard.</p>	<p>Luminaire is designed to attach to a poured concrete foundation using anchor bolts, template and hardware provided. Design of concrete base is by others. A square base cover is provided as an optional extra.</p>	<p>Luminaire has a frosted lens with an optional perforated liner. A silicone optic provides high optical efficiency, excellent transparency, type V distribution and a sealed (IP65) optical compartment protecting COB LED. The reflector disks are made as an optional extra on the bollard since the disk would be prone to vandalism on a bollard in a public space.</p>	<p>The Orchestra mini bollard is listed for use in wet locations to UL and CSA Standards. (LOC 6)</p> <p>LEDs are rated for 50,000 hour life with lumen maintenance >70% (L70).</p>



Orchestra Circle 2757BLED Detailed Product Description

- | | | | |
|---|---|---|--|
| 1 | .250" Aluminum Frame Support | 5 | 6" O.D. .125" Wall Aluminum Shaft c/w Mounting Base |
| 2 | LED Light Engine with Silicone Optic and Heatsink | 6 | (4) 1/2" Diameter x 12" Long Galvanized Anchor Bolts |
| 3 | .125" Polycarbonate Lens | | |
| 4 | Driver Constant Current | | |