

# Sightlines 1645SSLED Midi Step/Path Low Level Area Light EXTERIOR

MODEL	LED	COLOR TEMPERATURE	VOLT	FACEPLATE	OPTIONS	COLOR
1645SS	15L	40* 4000K <small>40 x 0.28 watts 1580 lumens<sup>1</sup></small>	120*	LV* slotted	FS fuse kit	SS <small>Stainless steel requires periodic maintenance to remove dirt and contaminants, similar to household stainless items.</small>
	7L	30 3000K <small>20 x 0.30 watts 825 lumens<sup>1</sup></small>	208	PR open	DIM dimming driver (0-10 volt)	
			240			
			277			

\*Standard configuration unless otherwise specified <sup>1</sup>Source lumens

SAMPLE CATALOG NUMBER: 1645SS - 15L - 40 - 120 - LV

Using this catalog number would order 1 model 1645SS low level area light with 40 x 0.28 watt LEDs with a color temperature of 4000K wired to 120 volts and a slotted stainless steel faceplate.

## CONSTRUCTION

Materials  
Faceplate: Stainless steel, #4 brushed finish. Housing: .064" aluminum protected with high gloss white polyester powder coat.  
Reflector: High gloss white, formed aluminum. Lens: Prismatic polycarbonate. Junction box: Gasketed, die cast aluminum, bottom mounted (field adjustable to rear mount) suitable for through branch circuit conductors, suitable for 90°C. (3) - 1/2 NPT plugs, neoprene rubber gaskets.

LED driver: Constant current IP64, LED boards >80 CRI.

## MOUNTING

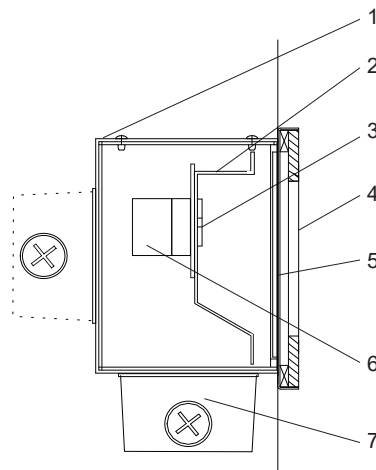
The Sightlines 1645SSLED series is designed for concrete pour installations and hollow wall construction. Units are non IC rated so the insulation, if any, must be kept 3" away from the housing and the housing should have 1/2" clearance all around except at the mounting points/surface. See Installation Instructions on the Rebelle website for further details. Conduits must be sealed against water entry into the fixture housing as outlined in the National Electric Code.

## OPTICAL

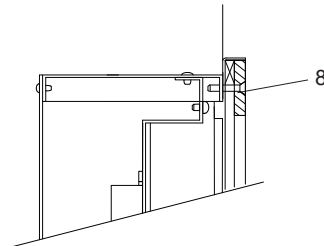
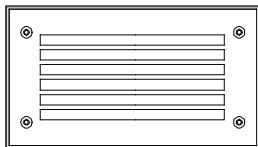
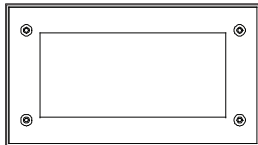
The Sightlines 1645SSLED are designed to be mounted within 1' to 2' of the ground or floor level. The faceplate is provided in a slotted style to eliminate glare and provide illumination on paths, aisles and stairs. An open face with a prismatic glass lens is available for areas that require higher intensity levels. The reflector system is sealed against the ingress of water and other contaminants.

## PROTECTION

The Sightlines 1645SSLED series is listed for use in wet locations within four feet of the ground to CSA and UL standards. Reported L70 > 50,000 hours.



Concrete Pour & Hollow Wall Applications



# Sightlines 1645SSLED Detailed Product Description

- |  |   |
|--|---|
| <p>1 Housing .064" Aluminum Protected with White Polyester Powder Coat</p> <p>2 Reflector - High Gloss White - .036" Thick</p> <p>3 LED Module</p> <p>4 Stainless Steel, Gasketed Face Plate with Enclosure Trim</p> <p>5 Sealed Prismatic Polycarbonate Lens - .125" Thick or Prismatic Tempered Glass Lens "PR" Option</p> | <p>6 LED Driver - Constant current IP64</p> <p>7 Junction Box - Suitable for 4 No. 12 AWG Through Branch Circuit Conductors Suitable for 90°C. (3) -1/2 NPT Plugs, Neoprene Rubber Gaskets, Bottom Mount Standard (Field adjustable to rear mount)</p> <p>8 (4) Stainless Steel, Cap Screws - Captive</p> |
|--|---|