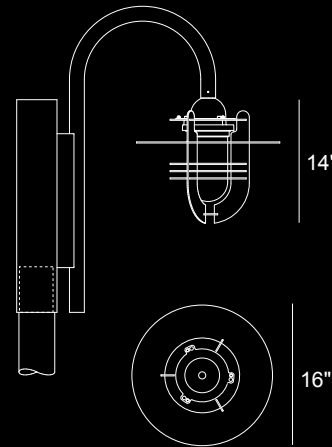


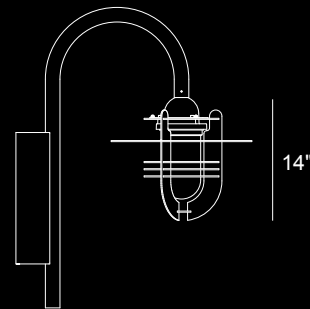
Maxi



4007



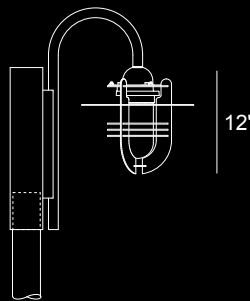
4005



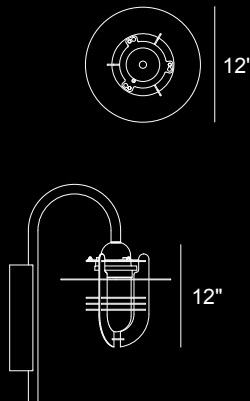
Mini



4006



4004



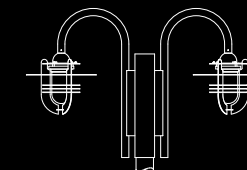
Saturna
Shepherd's
Hook

WALL ARM &
POST ARM



The Saturna family of luminaires consists of clean simple lines that form a classic shape to suit any architectural expression.

The Saturna shepherd's hook mounted luminaires provide symmetrical illumination with a dramatic light pattern. The large reflector disk directs most of the light down while the three rings shield the lamp to reduce glare. Two scales are offered for greater flexibility of application.



4007x2
Also available in a double shepherd's hook configuration.

The standard prismatic, tempered glass lens provides maximum light output while adding sparkle, especially when clear lamps are used. The optional frosted glass lens provides a more subtle lighting effect and is especially desirable for interior spaces. The marine grade aluminum construction of these luminaires ensures longevity when used in exterior or interior applications.

Available in a variety of lamp sources:
Metal Halide
Compact Fluorescent

Saturna shepherd's hook mounted luminaires are listed for wet locations to UL/CSA standards.

Rebelle's powder paint finishes are available. RAL or custom powder paint finishes can be specified.

For detailed information on all Saturna luminaires please refer to our website rebellelighting.com.

