

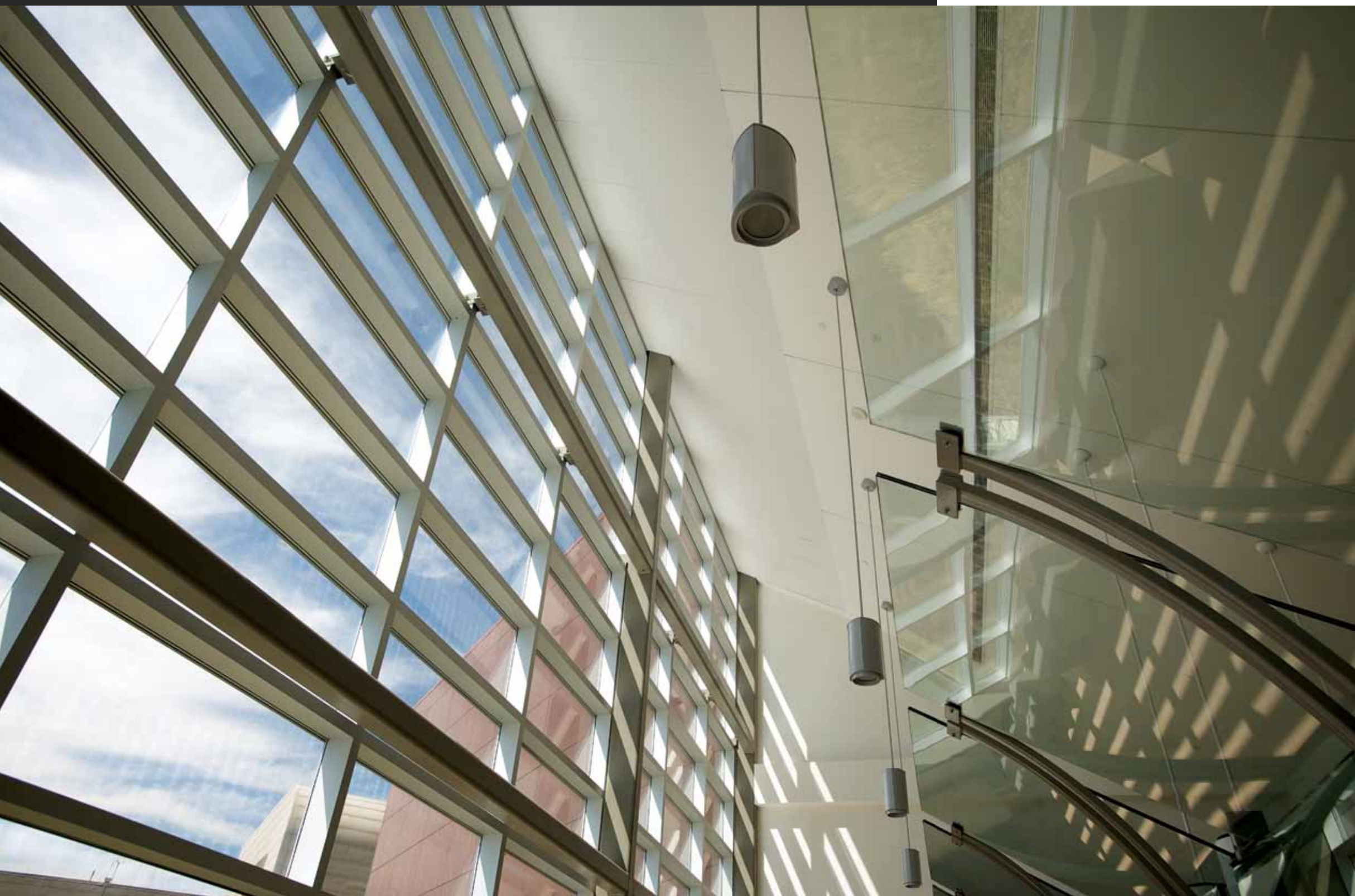


specification guide

families of coordinated architectural
lighting for exterior and interior

REBELLE
ARCHITECTURAL
LIGHTING

Contents



Introduction

Design Philosophy	04
Product Focus	06
Family Concept	08
Profile	10
Resources	12
Sustainability	14
Finishes	16
Quality and LED	18

Family Lines

Streamline Direct	20
Streamline Indirect	32
Streamline Vertical Plane Wash	44
Streamline Architectural Sconce	52
CYL-003	64
CYL-003 Asymmetric	80
Orchestra Circle	84
Orchestra Ellipse	110
Saturna	126
Saturna Building Mounts	150
Sightlines	158
Poles	182

Index

Product Family	196
Luminaire Type	197
Alphanumerical	198

Design Philosophy



The Family Concept

Rebelle Architectural Lighting provides high quality families of coordinated architectural lighting for exterior and interior applications. Each family line of luminaires provides lighting solutions for every condition of a building by offering a variety of scales and mounting configurations while maintaining a cohesive image and style. The coordination and specification of lighting is simplified by Rebelle for all levels of specifiers – architects, consulting electrical engineers, lighting designers, interior designers and design-build contractors.

“coordinated architectural lighting.”

Rebelle offers five families and a collection of complementary steplights.

Streamline CYL-003	Orchestra Circle Orchestra Ellipse	Saturna Sightlines
-----------------------	---------------------------------------	-----------------------

CYL-003 | 7600 Indirect Post Top

Product Focus



Saturna | 5009 Recessed Building Mount

The main focus of Rebelle has been to design luminaires for use in high visibility locations, either within, or adjacent to a building. A family of luminaires that complements the architecture of a project can be chosen and the multiple product types within each family allow the look to be carried from the exterior through to the interior spaces.

“products designed to suit every condition of a building.”

Rebelle's Product Specification Guide demonstrates the product family concept as it is today. Each family contains a full range of products designed to suit every condition of a building; including post top, bollard, pendant, sconce, ceiling, recessed and wall mount luminaires. In each product family, both scale and application have been considered to ensure the same look can be carried throughout a project.



Family Concept

Families of coordinated architectural lighting for exterior through to interior applications with a variety of scales and mounting configurations to suit every building condition.



Streamline

The Streamline family consists of indirect luminaires optimized for forward throw ceiling wash applications, direct luminaires that provide a full cutoff classification, vertical plane wash luminaires to wash surfaces from both above and below and an architectural sconce with a clean, minimalist look.



CYL-003

The CYL-003 family of architectural luminaires feature an elegantly rounded triangular profile that is designed to complement a variety of architectural expressions. Available in post, wall arm, pendant, ceiling and wall mount configurations for ease of coordination and specification.



Orchestra Circle

The Orchestra Circle family was designed to simplify the coordination and specification of architectural lighting. This family features an optic system that includes a perforated metal shield or glare band, clear or frosted lens and a unique reflector system to customize the illumination.



Orchestra Ellipse

The Orchestra Ellipse family of architectural luminaires offers a distinctive elliptical shape in a variety of scales and mounting configurations. This family features an optic system that includes a perforated metal shield or glare band, clear or frosted lens and a unique reflector system to customize the illumination.



Saturna

The Saturna family of luminaires features clean, simple lines that form a classic shape to suit any architectural application. This family provides symmetrical illumination with a dramatic light pattern in multiple product types and scales to suit every building condition.



Sightlines

The Sightlines luminaires are a collection of exterior grade landscape luminaires that include recessed wall luminaires, sealed recessed ceiling luminaires and a barricade bollard.

Profile



Streamline | 6002 Indirect Wall Mount

Company Profile

Founded in 1980, the current product lines offered by Rebelle are a result of 33 years of product innovation and evolution. Rebelle Architectural Lighting has a dedicated product design and development department committed to creating and expanding our luminaire families. Rebelle products are conceived as complete families from the inception of the product development process. As a result of this process, the Rebelle product portfolio is constantly expanding to create luminaires for every condition of a building within each product family. Our products are designed and manufactured to be high quality luminaires in design, durability and performance.

“the Rebelle product portfolio is constantly expanding.”

All of our product components are manufactured locally or sourced in North America. We are located in Maple Ridge, British Columbia, on the west coast of Canada.

Sales Agent Representatives

Rebelle is represented in every major market throughout the USA and Canada. Sales agent representatives provide dedicated service to the lighting marketplace in each geographic area. The Rebelle website provides a detailed listing of all agents and their contact information. All agents are well versed in the application of Rebelle product and are equipped with samples and literature.

Resources



Sightlines | 2868 Sentry Bollard



Rebelle's Website

Rebelle's website is designed to provide quick and easy navigation. Full details on all Rebelle products are just a few clicks away. Search by family, product type, application or product number – speed is of the essence. Catalog sheets, specification pages, technical manuals, installation instructions, BIM files, IES format application files along with photographs of installations are at your fingertips. Hard copy information is available upon request. Bound specification guides are available through our sales agent representatives.

Applications - Lighting Studies

Rebelle and Rebelle's agents have the facility to provide lighting layouts in a timely manner. Rebelle has a Lighting Certified product designer on staff to handle requests not covered by our agents. If required, we offer Visual or AGI32 layouts and rendered space outputs.

Sustainability



Orchestra Ellipse | 2809B Bollard

Environmentally Conscious Practices

Rebelle's mandate is to manufacture our products while limiting environmental impact. Wherever possible, we try to eliminate adding waste to the environment by recycling materials used in the manufacturing process and recycling office materials.

We limit emissions to the airshed through the use of our powder coat paint process and, where possible, by sourcing product components locally. Materials are sourced through local vendors to eliminate the need to transport materials over long distances.

Our fixtures use easily recyclable materials such as glass and aluminum. Cartons use recycled fiber. The paint finish is highly sympathetic to the environment and does not contain any hazardous air pollutants, volatile organic compounds or solvents.



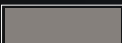




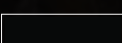
To minimize energy use our products are designed to use the latest highly efficient lamps and LED's. Many designs are cutoff or full cutoff to eliminate sources of unnecessary light pollution. Most of our luminaires use electronic ballasts for higher efficiency and reduced use of materials. Thoughtful luminaire design and operational waste reduction contribute to a conscious respect for the environment.



Finishes



Saturna | 4005 Shepherd's Hook Wall Arm

- WT**

textured white
- BT**

textured black
- SM**

metallic silver
- AN**

natural aluminum
- BZ**

textured bronze
- GM**

gunmetal
- WS**

satin white
- BM**

matte black

Eight Standard Colors

The colors shown are available for all Rebelle products and are suitable for interior and exterior use. Other colors are available to match RAL standards, or to match a specific color sample. Both RAL and custom color match are premium priced color options.



Surface Preparation and Application Process

Rebelle's powder painting process uses only polyester powders to ensure durability and permanence in outdoor applications. The process follows a documented quality assurance procedure to ensure the longevity of the finish in the most rigorous climates. In order to remove all surface impurities all of Rebelle's luminaires go through a five-stage chemical pre-treatment prior to paint application. To allow for a consistent, even coating on parts, all heavy cast aluminum and welded assemblies are shot blasted to near white specifications prior to the five stage pre-treatment process. Following pre-treatment, all parts are coated using an electrostatic process to allow for a consistent, even finish. After coating, parts are then transferred to cure in a high temperature oven. Paint production samples are continually checked to ensure they adhere to strictly controlled quality standards.

Quality and LED

Quality Assurance

Rebelle's products are designed and manufactured to be high quality luminaires in design, durability and performance. Rebelle maintains a quality system that is modeled after the ISO 9001 standards. The quality system at Rebelle provides a structure for continually improving processes and satisfying customers' requirements. The materials used in our products, and the production processes used to create them, are specified and controlled to ensure the customer receives a high quality end product. Each employee at Rebelle is a responsible member of our team and plays a key role in ensuring conformance to our Quality System.

LED Technology

At Rebelle, the focus has been to incorporate LED technology into our luminaires that will stand the test of time. Proper thermal design and use of high quality components are crucial to ensuring the longevity of an LED luminaire.

“to incorporate LED technology...that will stand the test of time.”

We have developed strategic partnerships with major manufacturers of LED components and selected the best solution for each luminaire design. We stand behind our LED products with a five year warranty.



Streamline | 6002 Indirect Ceiling Wash



Streamline Direct

Sensible, Design Aesthetic

The Streamline Direct family of architectural luminaires for exterior applications is available in a variety of scales and mounting configurations to suit interior and exterior lighting requirements. These full cutoff luminaires are ideal

for applications where light pollution is a concern. The Streamline family of luminaires is compliant with Dark Sky regulations, providing a fully controlled asymmetric forward throw distribution that illuminates without any upward light.

6003
Mini Wall

Brewery District, New Westminster, BC



6004
Midi Wall



6004
Midi Wall



6003
Mini Wall

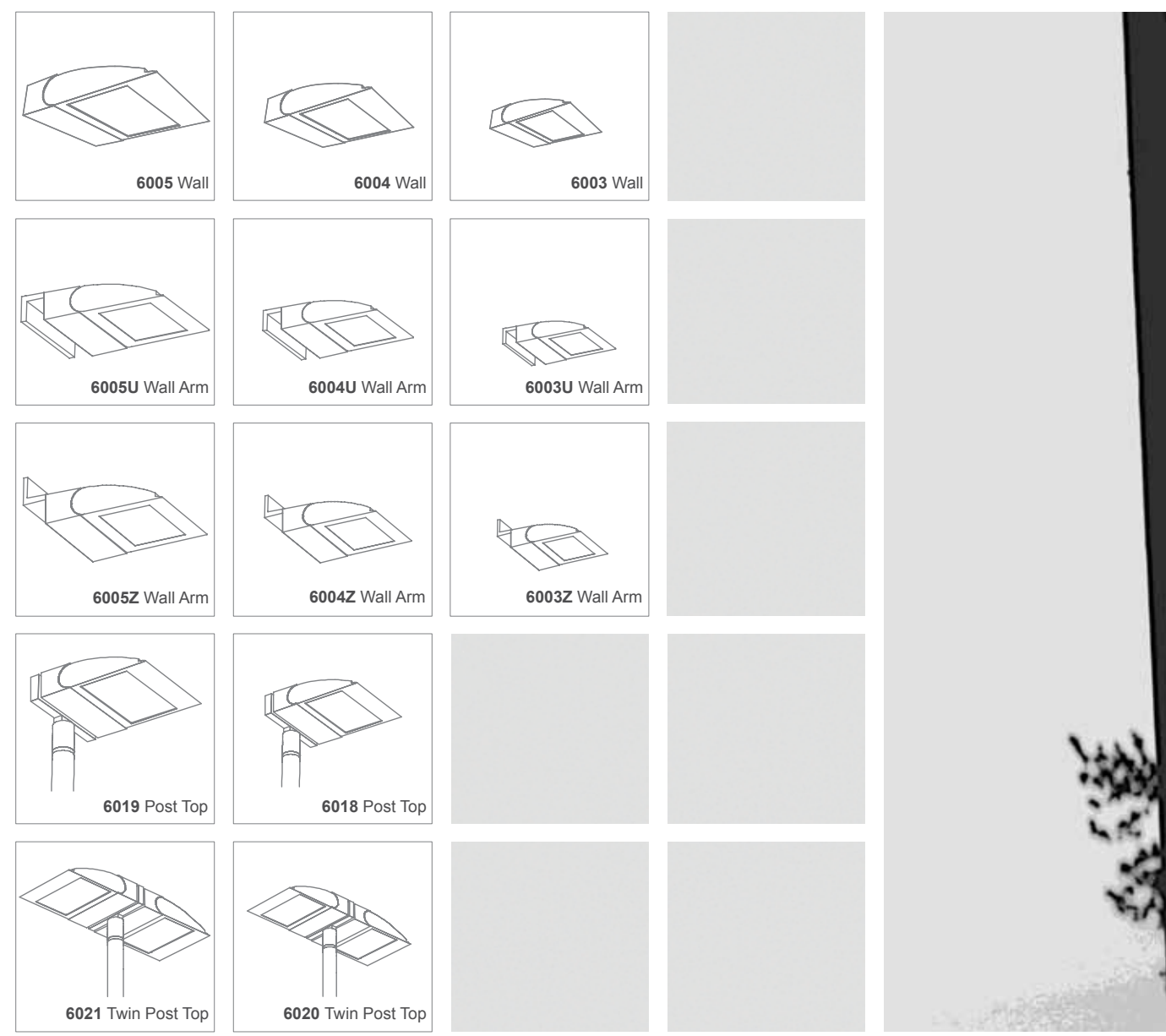


6003
Mini Wall

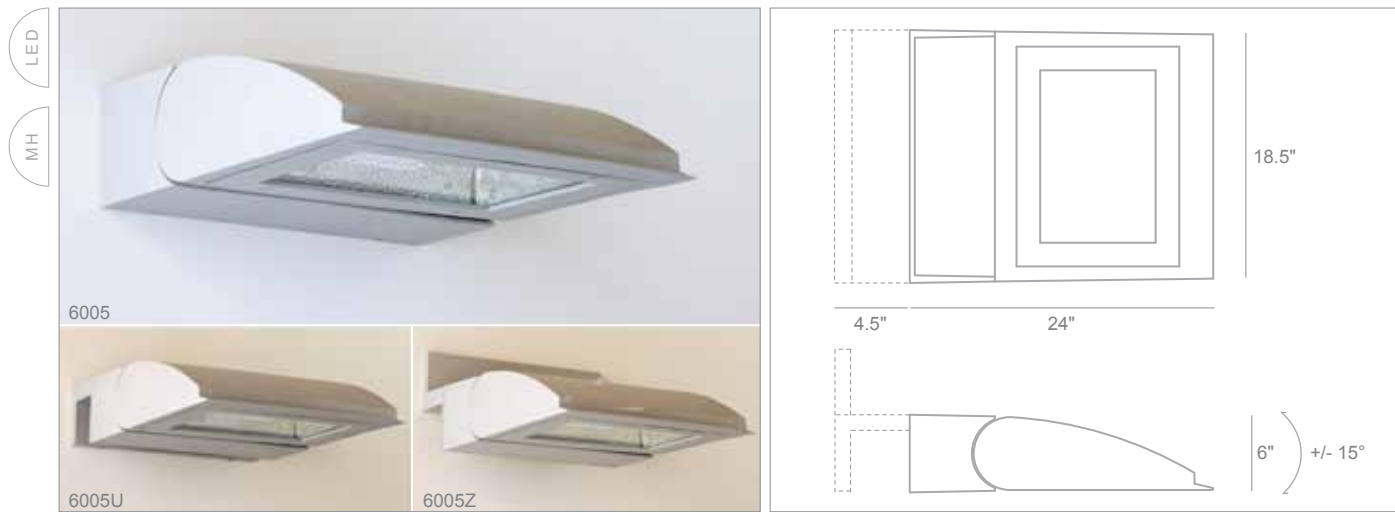
Tunxis College, Farmington, CT



Brewery District | Streamline Direct Mini 6003



Streamline Direct



Streamline Maxi Direct Wall Mount

EXTERIOR

FAMILY CONCEPT The Streamline Direct family line of luminaires is optimized to provide full cutoff classification illumination. These Streamline Direct luminaires are maxi scale, exterior luminaires that feature a +/-15° angle adjustable head.

MATERIAL Aluminum lamp housing and ballast enclosure, clear, tempered glass in cast, captive aluminum frame and die-formed specular, embossed aluminum reflector.

MOUNTING Mounting plate is secured to wall, luminaire is then hooked on plate and locked in place with captive set screws.

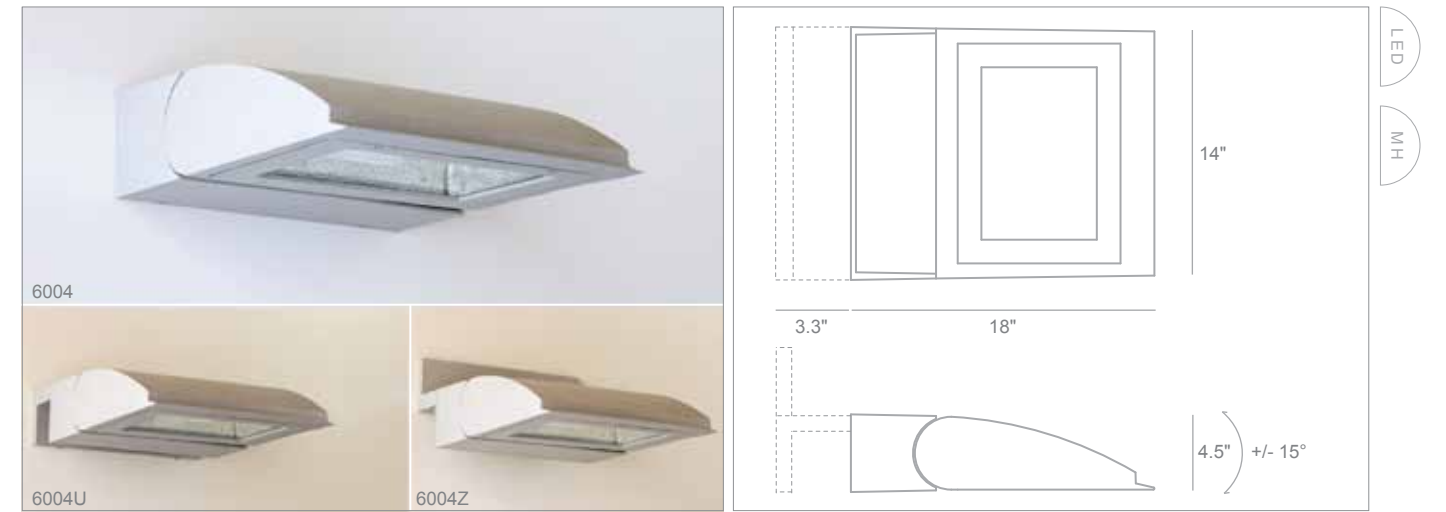
PROTECTION Listed for use in wet locations to UL and CSA Standards.

MODEL	SOURCE	VOLT	OPTICS	OPTIONS	COLOR
6005	200L LED	120	CV cut-off visor for downward tilt	4K ² 4000K (standard)	8 standard powder paints, RAL and custom available
6005U	167L LED	208	T2 ² type II distribution	5.7K ² 5700K (optional)	
6005Z	134L LED	240	T3 ² type III distribution	3.0K ² 3000K (optional)	
	315H ¹ MH	277	T4 ² type IV distribution	DIM ² 0 - 10 volt dimmable driver	
	210H ¹ MH	347+		FS fuse kit	
	320H MH			AUX auxiliary lighting system	
	250H MH			LP ¹ lamp included	
	200H MH				

¹Philips MasterColor® CDM Elite MW lamps ²LED units only

+Consult factory for LED

Refer to specification pages online for further technical details and current LED information.



Streamline Midi Direct Wall Mount

EXTERIOR

FAMILY CONCEPT The Streamline Direct family line of luminaires is optimized to provide full cutoff classification illumination. These Streamline Direct luminaires are midi scale, exterior luminaires that feature a +/-15° angle adjustable head.

MATERIAL Aluminum lamp housing and ballast enclosure, clear, tempered glass in aluminum frame and die-formed specular, embossed aluminum reflector.

MOUNTING Mounting plate is secured to wall, luminaire is then hooked on plate and locked in place with captive set screws.

PROTECTION Listed for use in wet locations to UL and CSA Standards.

MODEL	SOURCE	VOLT	OPTICS	OPTIONS	COLOR
6004	134L LED	120	T2 ² type II distribution	4K ² 4000K (standard)	8 standard powder paints, RAL and custom available
6004U	101L LED	208	T3 ² type III distribution	5.7K ² 5700K (optional)	
6004Z	140H ¹ MH	240	T4 ² type IV distribution	3.0K ² 3000K (optional)	
	90H ¹ MH	277		DIM ² 0 - 10 volt dimmable driver	
	60H ¹ MH	347+		DIM ¹ Lumi-Step™ dimming ballasts	
	150H MH			FS fuse kit	
	70H MH			AUX auxiliary lighting system	
	39H MH			LP lamp included	

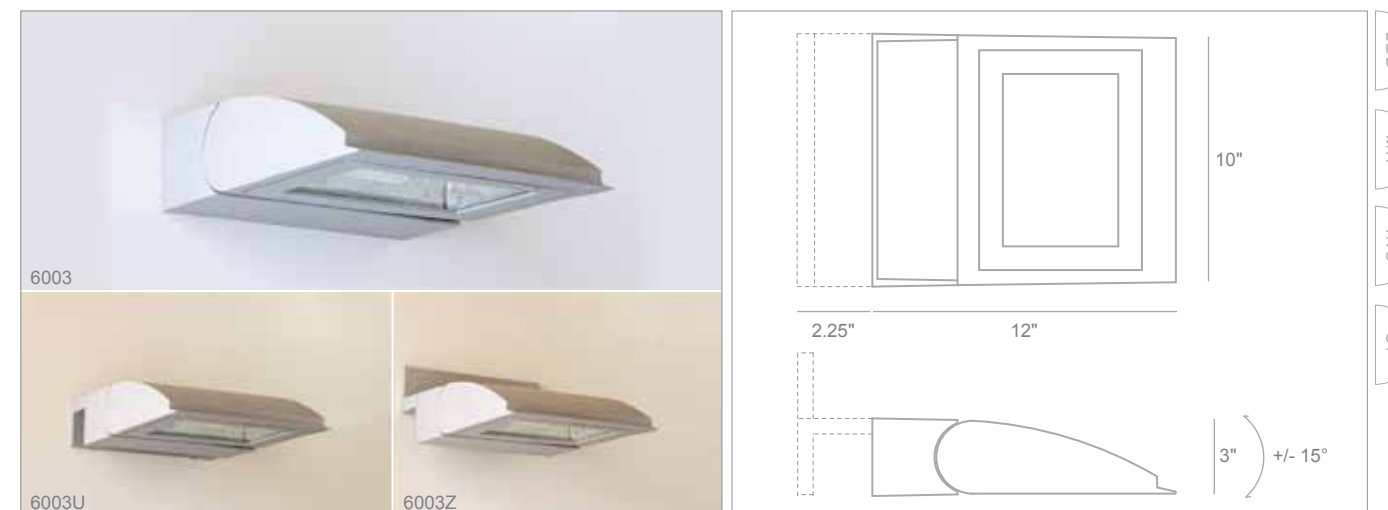
¹Philips CosmoPolis® lamps ²LED units only

+Consult factory for LED

Refer to specification pages online for further technical details and current LED information.



Streamline Direct Mini 6003 | Streamline Indirect Maxi 6002 | Streamline Indirect Midi 6001



Streamline Mini Direct Wall Mount

INTERIOR/EXTERIOR

FAMILY CONCEPT The Streamline Direct family line of luminaires is optimized to provide full cutoff classification illumination. These Streamline Direct luminaires are mini scale luminaires that feature a +/-15° angle adjustable head.

MATERIAL Aluminum lamp housing and ballast enclosure, prismatic, tempered glass in cast, captive aluminum frame and die-formed specular, embossed aluminum reflector.

MOUNTING Mounting plate is secured to wall, luminaire is then hooked on plate and locked in place with captive set screws.

PROTECTION Listed for use in wet locations to UL and CSA Standards.

MODEL	SOURCE	VOLT	OPTIONS	COLOR
6003	32L LED	120	4K ¹ 4000K (standard)	8 standard powder paints, RAL and custom available
6003U	39H MH	208	5.7K ¹ 5700K (optional)	
6003Z	20H MH	240	3.0K ¹ 3000K (optional)	
	150I INC	277	FS fuse kit	
	226Q CF	347+	DIM ¹ 0 - 10 volt dimmable driver	
	126Q CF			

¹LED units only

¹Consult factory for LED & MH

Refer to specification pages online for further technical details and current LED information.



Streamline Maxi Direct Post Top

EXTERIOR

FAMILY CONCEPT The Streamline Direct family line of luminaires is optimized to provide full cutoff classification illumination. These Streamline Direct luminaires are maxi scale, exterior luminaires that feature a 15° angle adjustable head.

MATERIAL Cast aluminum lamp housing and ballast enclosure with top cover, clear, tempered glass in cast, captive aluminum frame and die-formed specular, embossed aluminum reflector.

MOUNTING Pole/luminaire transition is provided for mounting luminaire to Ø4" pole. Set screws lock to transition.

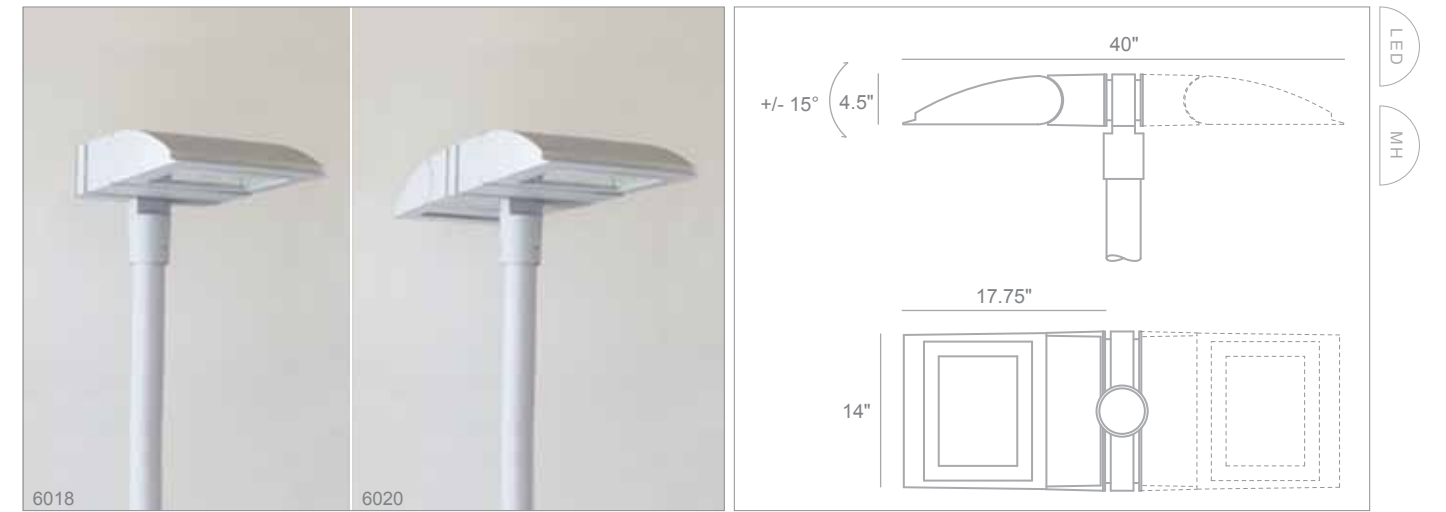
PROTECTION Listed for use in wet locations to UL and CSA Standards. Windloading EPA = Single 1.14 sq. ft. | Double 2.07 sq. ft.

MODEL	SOURCE	VOLT	OPTICS	OPTIONS	COLOR
6019	200L LED	120	T2 ² type II distribution	4K ² 4000K (standard)	8 standard powder paints, RAL and custom available
6021	167L LED	208	T3 ² type III distribution	5.7K ² 5700K (optional)	
	134L LED	240	T4 ² type IV distribution	3.0K ² 3000K (optional)	
	315H ¹ MH	277		DIM ² 0 - 10 volt dimmable driver	
	210H ¹ MH	347+		FS fuse kit	
	320H MH			AUX auxiliary lighting system	
	250H MH			LP ¹ lamp included	
	200H MH				

¹Philips MasterColor® CDM Elite MW lamps ²LED units only

⁺Consult factory for LED

Refer to specification pages online for further technical details and current LED information.



Streamline Midi Direct Post Top

EXTERIOR

FAMILY CONCEPT The Streamline Direct family line of luminaires is optimized to provide full cutoff classification illumination. These Streamline Direct luminaires are midi scale, exterior luminaires that feature a 15° angle adjustable head.

MATERIAL Cast aluminum lamp housing and ballast enclosure with top cover, clear, tempered glass in aluminum frame and die-formed, specular, embossed aluminum reflector.

MOUNTING Pole/luminaire transition is provided for mounting luminaire to Ø3" pole. Set screws lock to transition.

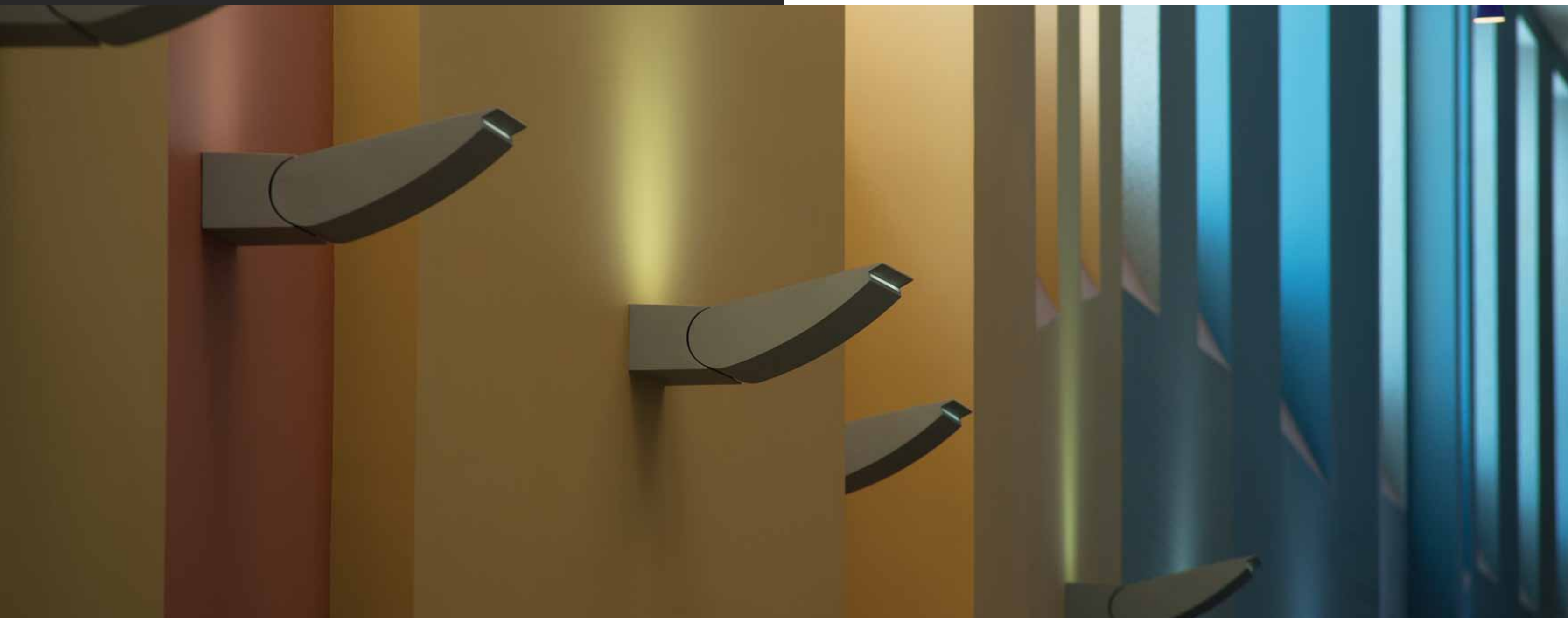
PROTECTION Listed for use in wet locations to UL and CSA Standards. Windloading EPA = Single 0.70 sq. ft. | Double 1.25 sq. ft.

MODEL	SOURCE	VOLT	OPTICS	OPTIONS	COLOR
6018	134L LED	120	T2 ² type II distribution	4K ² 4000K (standard)	8 standard powder paints, RAL and custom available
6020	101L LED	208	T3 ² type III distribution	5.7K ² 5700K (optional)	
	140H ¹ MH	240	T4 ² type IV distribution	3.0K ² 3000K (optional)	
	90H ¹ MH	277		DIM ² 0 - 10 volt dimmable driver	
	60H ¹ MH	347+		DIM ¹ Lumi-Step™ dimming ballast	
	150H MH			FS fuse kit	
	70H MH			AUX auxiliary lighting system	
	39H MH			LP ¹ lamp included	

¹Philips CosmoPolis® lamps ²LED units only

⁺Consult factory for LED

Refer to specification pages online for further technical details and current LED information.



Streamline Indirect

Clean, Slim Profile

The Streamline Indirect family of architectural luminaires for interior applications is available in a variety of scales to suit every building condition requiring an asymmetric lighting solution. These luminaires are designed in multiple scales and mounting configurations for ease of coordination throughout a

project. A sensible design aesthetic complements architectural intent without overpowering it. The clean, slim profile of the Streamline is available with or without a light reveal accent to allow these luminaires to be used as a feature element or to blend quietly into the background.

6002
Maxi Wall

Tunxis College, Farmington, CT



6001
Midi Wall



6002
Maxi Wall



6000
Mini Wall

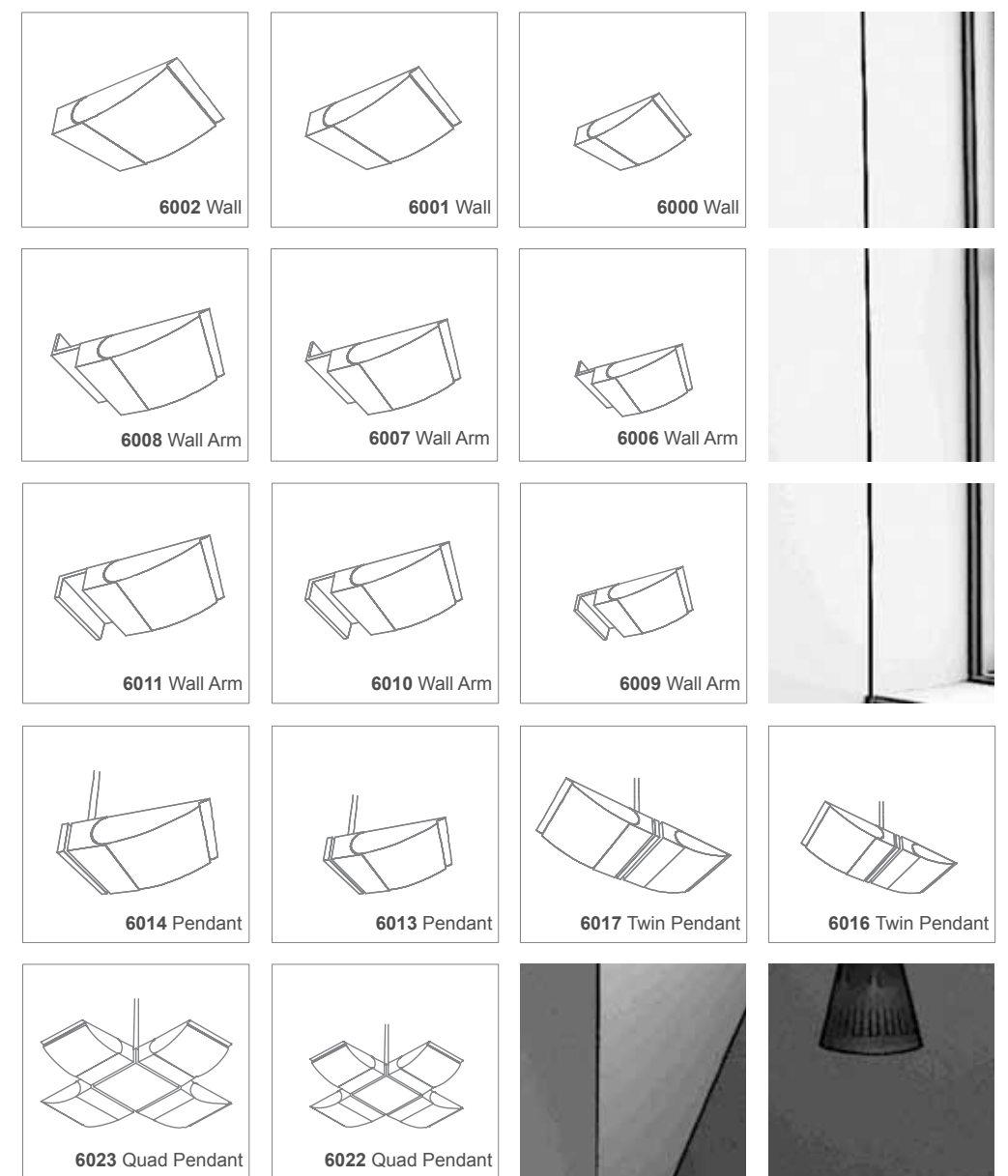
NVIT, Merritt, BC



6017
Maxi Twin Pendant



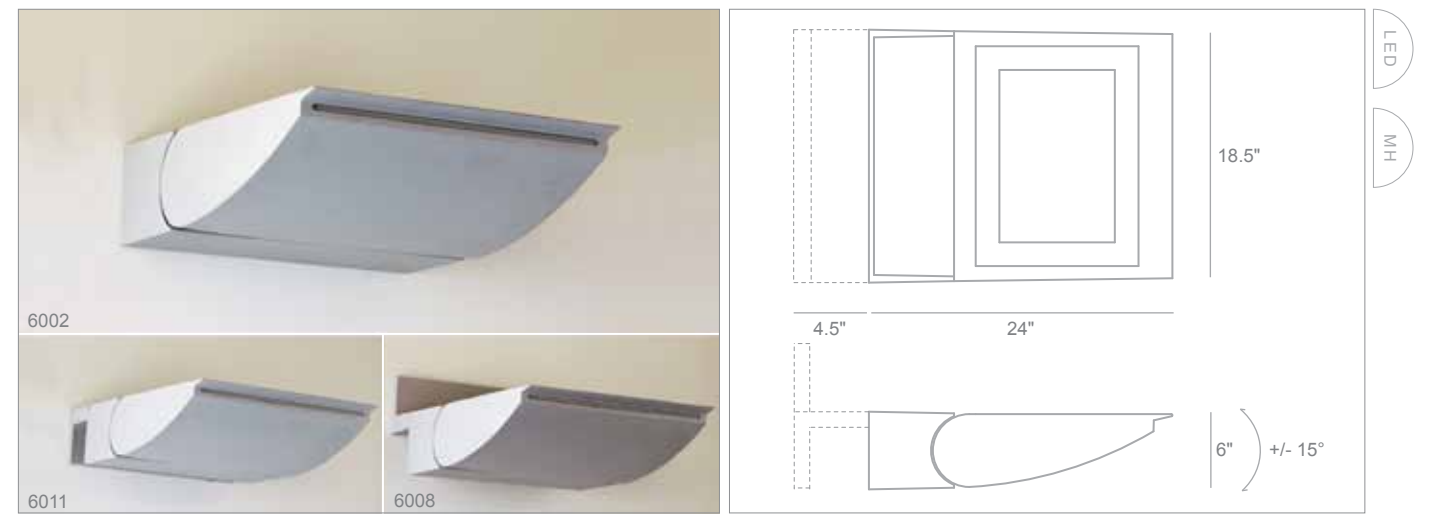
Tunxis Community College | Streamline Indirect | Midi 6001



Streamline Indirect



Streamline Indirect Maxi 6002



Streamline Maxi Indirect Ceiling Wash INTERIOR/EXTERIOR

FAMILY CONCEPT The Streamline Indirect family line of luminaires is optimized for forward throw ceiling wash applications. These Streamline Indirect luminaires are maxi scale luminaires that feature a +/-15° angle adjustable head.

MATERIAL Aluminum lamp housing and ballast enclosure, clear, tempered glass in cast, captive aluminum frame with die-formed, specular, embossed aluminum reflector.

MOUNTING Mounting plate is secured to wall, luminaire is then hooked on plate and locked in place with captive set screws.

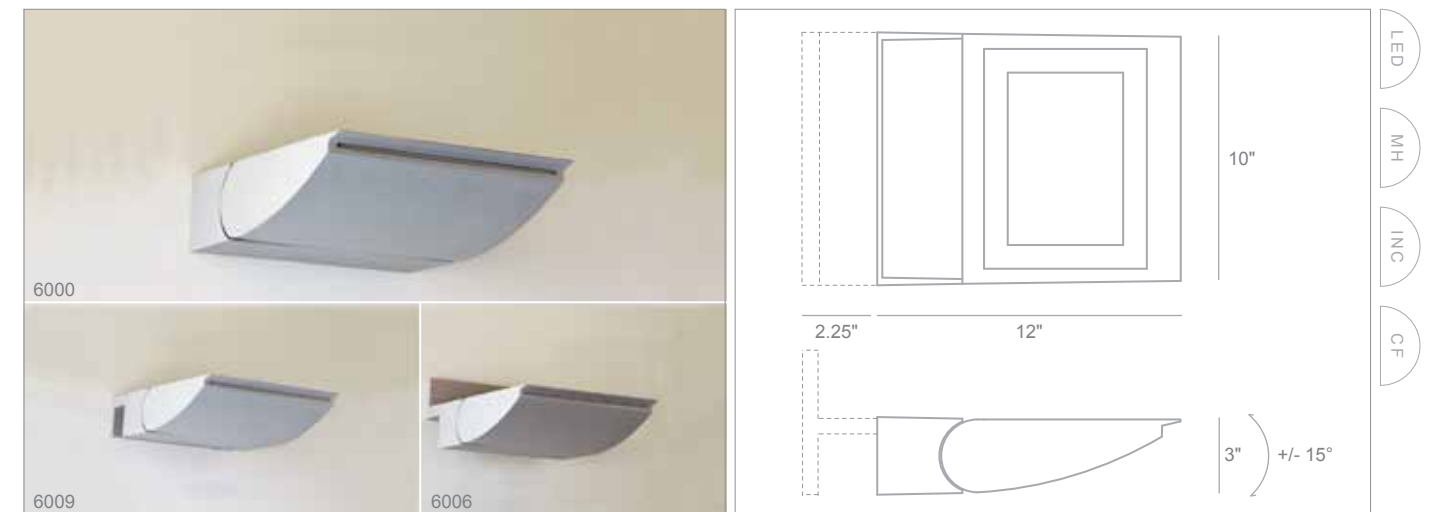
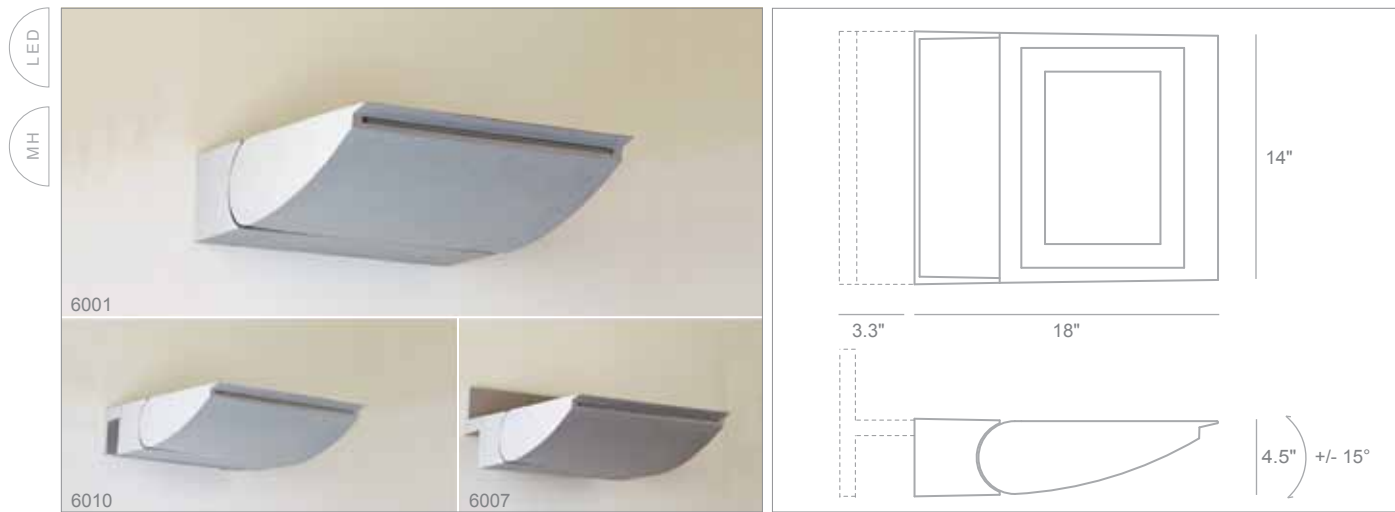
PROTECTION Listed for use in dry and damp locations to UL and CSA Standards. Specify "WL" for wet location option.

MODEL	SOURCE	VOLT	OPTICS	OPTIONS	COLOR
6002	200L LED	120	LR ³ light reveal	4K ² 4000K (standard)	8 standard powder paints, RAL and custom available
6008	167L LED	208	NLR no light reveal	5.7K ² 5700K (optional)	
6011	134L LED	240	CV cut-off visor for downward tilt	3.0K ² 3000K (optional)	
	315H ¹ MH	277		WL wet location (must select NLR)	
	210H ¹ MH	347+		LP ¹ lamp included	
	320H MH			NAT ² natatorium construction	
	250H MH			DIM ² 0 - 10 volt dimmable driver	
	200H MH				

¹Philips MasterColor® CDM Elite MW lamps ²LED units only ³Excluding LED

+Consult factory for LED

Refer to specification pages online for further technical details and current LED information.



Streamline Midi Indirect Ceiling Wash INTERIOR/EXTERIOR

FAMILY CONCEPT The Streamline Indirect family line of luminaires is optimized for forward throw ceiling wash applications. These Streamline Indirect luminaires are midi scale luminaires that feature a +/-15° angle adjustable head.

MATERIAL Aluminum lamp housing and ballast enclosure, clear, tempered glass in aluminum frame with die-formed, specular, embossed aluminum reflector.

MOUNTING Mounting plate is secured to wall, luminaire is then hooked on plate and locked in place with captive set screws.

PROTECTION Listed for use in dry or damp locations to UL and CSA Standards. Specify "WL" for wet location option.

MODEL	SOURCE	VOLT	OPTICS	OPTIONS	COLOR
6001	134L LED	120	LR ³ light reveal	4K ² 4000K (standard)	8 standard powder paints, RAL and custom available
6007	101L LED	208	NLR no light reveal	5.7K ² 5700K (optional)	
6010	140H ¹ MH	240	CV cut-off visor for downward tilt	3.0K ² 3000K (optional)	
	90H ¹ MH	277	WL wet location (must select NLR)		
	60H ¹ MH	347+	DIM ¹ Lumi-Step™ dimming ballasts		
	150H MH		DIM ² 0 - 10 volt dimmable driver		
	70H MH		LP ¹ lamp included - designation		
	39H MH		NAT ² natatorium construction		

¹Philips Cosmopolis® lamps ²LED units only ³Excluding LED

+Consult factory for LED

Refer to specification pages online for further technical details and current LED information.

Streamline Mini Indirect Ceiling Wash INTERIOR/EXTERIOR

FAMILY CONCEPT The Streamline Indirect family line of luminaires is optimized for forward throw ceiling wash applications. These Streamline Indirect luminaires are mini scale luminaires that feature a +/-15° angle adjustable head.

MATERIAL Aluminum lamp housing and ballast enclosure, prismatic, tempered glass in cast, captive aluminum frame with die-formed, specular, embossed aluminum reflector.

MOUNTING Mounting plate is secured to wall, luminaire is then hooked on plate and locked in place with captive set screws.

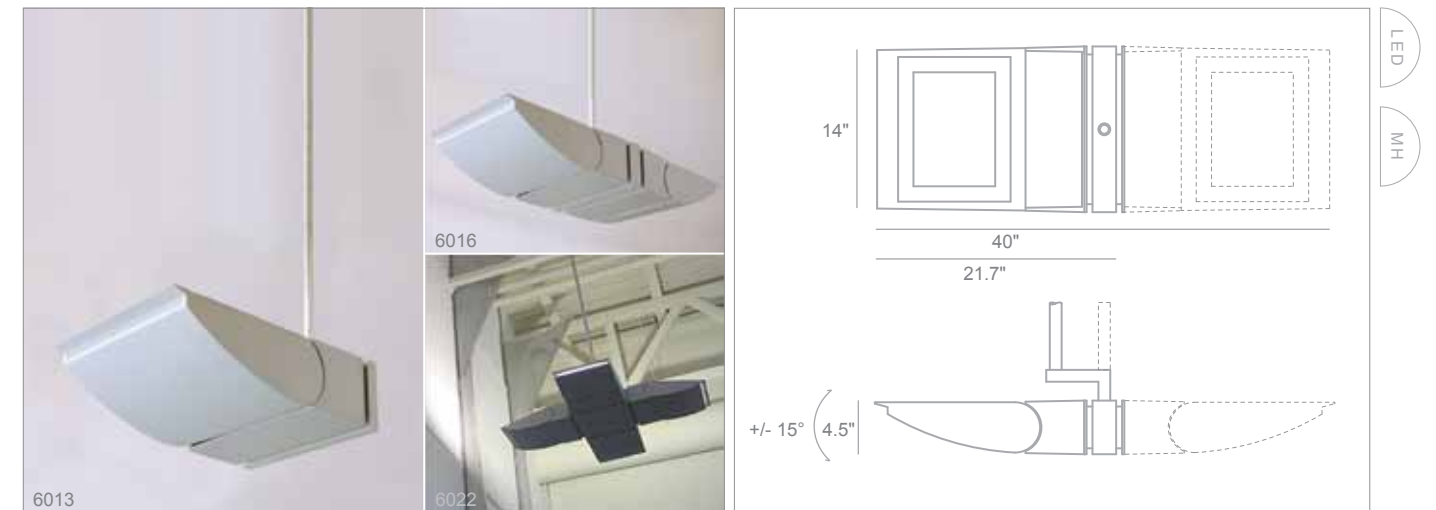
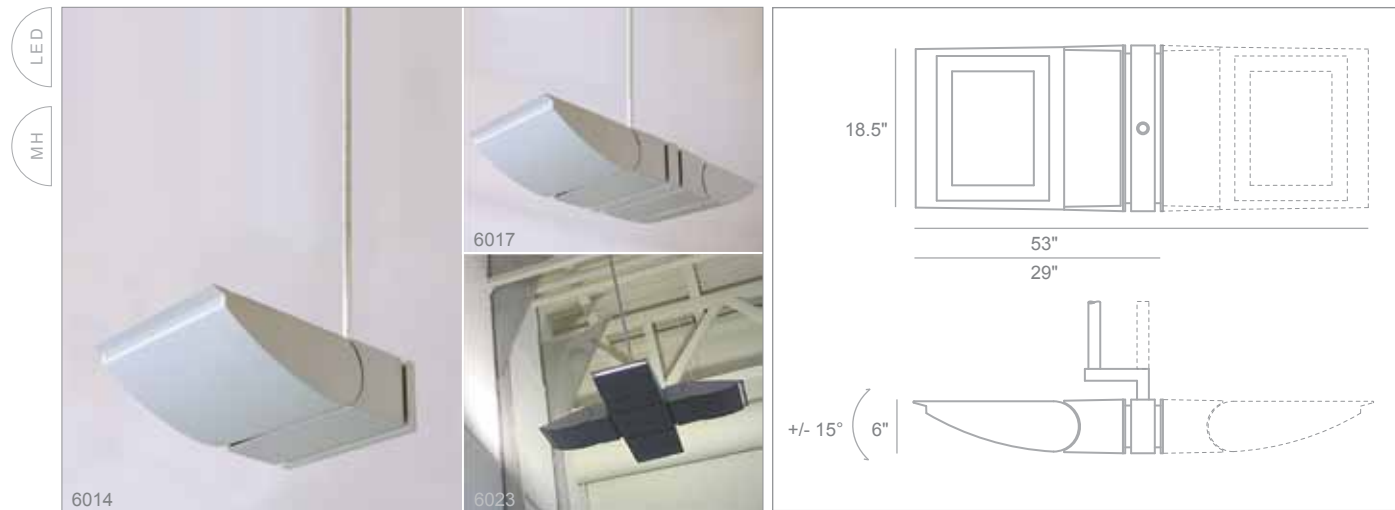
PROTECTION Listed for use in dry or damp locations to UL and CSA Standards. Specify "WL" for wet location option.

MODEL	SOURCE	VOLT	OPTICS	OPTIONS	COLOR
6000	32L LED	120	LR ² light reveal	4K ¹ 4000K (standard)	8 standard powder paints, RAL and custom available
6006	39H MH	208	NLR no light reveal	5.7K ¹ 5700K (optional)	
6009	20H MH	240	CV cut-off visor for downward tilt	3.0K ¹ 3000K (optional)	
	300I INC	277	WL wet location (must select NLR - not available for 300I)		
	150I INC	347+	DIM ¹ 0 - 10 volt dimming driver		
	226Q CF				
	126Q CF				

¹LED units only ²Excluding LED

+Consult factory for LED & MH

Refer to specification pages online for further technical details and current LED information.



Streamline Maxi Indirect Pendant Mount INTERIOR/EXTERIOR

FAMILY CONCEPT The Streamline Indirect family line of luminaires is optimized for forward throw ceiling wash applications. These Streamline Indirect luminaires are maxi scale luminaires that feature a +/-15° angle adjustable head.

MATERIAL Aluminum lamp housing and ballast enclosure, clear, tempered glass in cast, captive aluminum frame with die-formed, specular, embossed aluminum reflector.

MOUNTING Pendant canopy mount. 1-1/8" steel stem. Luminaire weight must be supported by sufficient ceiling strength (70 lb single, 140 lb double or 280 lb quad).

PROTECTION Listed for use in dry or damp locations to UL and CSA Standards. Specify "WL" for wet location option.

MODEL	SOURCE	VOLT	OPTICS	OPTIONS	COLOR
6014	200L LED	120	LR ³ light reveal	4K ² 4000K (standard)	8 standard powder paints, RAL and custom available
6017	167L LED	208	NLR no light reveal	5.7K ² 5700K (optional)	
6023	134L LED	240	CV cut-off visor for downward tilt	3.0K ² 3000K (optional)	
	315H ¹ MH	277		WL wet location (must select NLR)	
	210H ¹ MH	347+		P("_") pendant length	
	320H MH			LP ¹ lamp included	
	250H MH			DIM ² 0 - 10 volt dimmable driver	
	200H MH			NAT ² natatorium construction	

¹Philips MasterColor® CDM Elite MW lamps ²LED units only ³Excluding LED +Consult factory for LED

Refer to specification pages online for further technical details and current LED information.

Streamline Midi Indirect Pendant Mount INTERIOR/EXTERIOR

FAMILY CONCEPT The Streamline Indirect family line of luminaires is optimized for forward throw ceiling wash applications. These Streamline Indirect luminaires are midi scale luminaires that feature a +/-15° angle adjustable head.

MATERIAL Aluminum lamp housing and ballast enclosure, clear tempered glass in aluminum frame with die-formed specular, embossed aluminum reflector.

MOUNTING Pendant canopy mount. 1/2" aluminum conduit stem. Luminaire weight must be supported by sufficient ceiling strength (40 lb single, 80 lb double or 160 lb quad).

PROTECTION Listed for use in dry or damp locations to UL and CSA Standards. Specify "WL" for wet location option.

MODEL	SOURCE	VOLT	OPTICS	OPTIONS	COLOR
6013	134L LED	120	LR ³ light reveal	4K ² 4000K (standard)	8 standard powder paints, RAL and custom available
6016	101L LED	208	NLR no light reveal	5.7K ² 5700K (optional)	
6022	140H ¹ MH	240	CV cut-off visor for downward tilt	3.0K ² 3000K (optional)	
	90H ¹ MH	277		WL wet location (must select NLR)	
	60H ¹ MH	347+		P("_") pendant length	
	150H MH			LP ¹ lamp included - designation	
	70H MH			DIM ² 0 - 10 volt dimmable driver	
	39H MH			DIM ¹ Lumi-Step™ dimming ballasts	
				NAT ² natatorium construction	

¹Philips Cosmopolis® lamps ²LED units only ³Excluding LED +Consult factory for LED

Refer to specification pages online for further technical details and current LED information.



"It's misleading
to suppose
there's any
basic *difference*
between education
and
entertainment."

– Herbert Marshall McLuhan

Streamline Vertical Plane Wash

Optimum, Angle Illumination

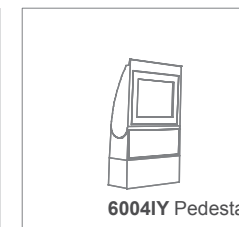
The Streamline Vertical Plane Wash luminaires are offered in pendant versions to wash vertical walls and surfaces from above. Pedestal units are available for ground level to wash the vertical plane from below. The optical system is

adjustable +/- 15° to ensure optimum coverage. The angle can be locked in place internally to avoid tampering after the optimum angle is chosen. The housing is constructed of all cast aluminum using a copper-free marine grade alloy.

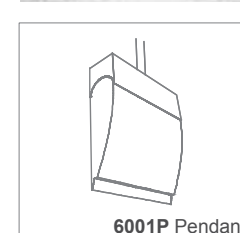
Storyeum | Streamline Vertical Plane Wash 6000P



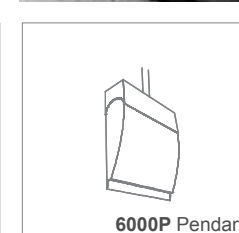
60051Y Pedestal



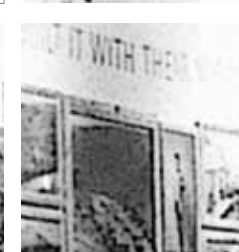
60041Y Pedestal



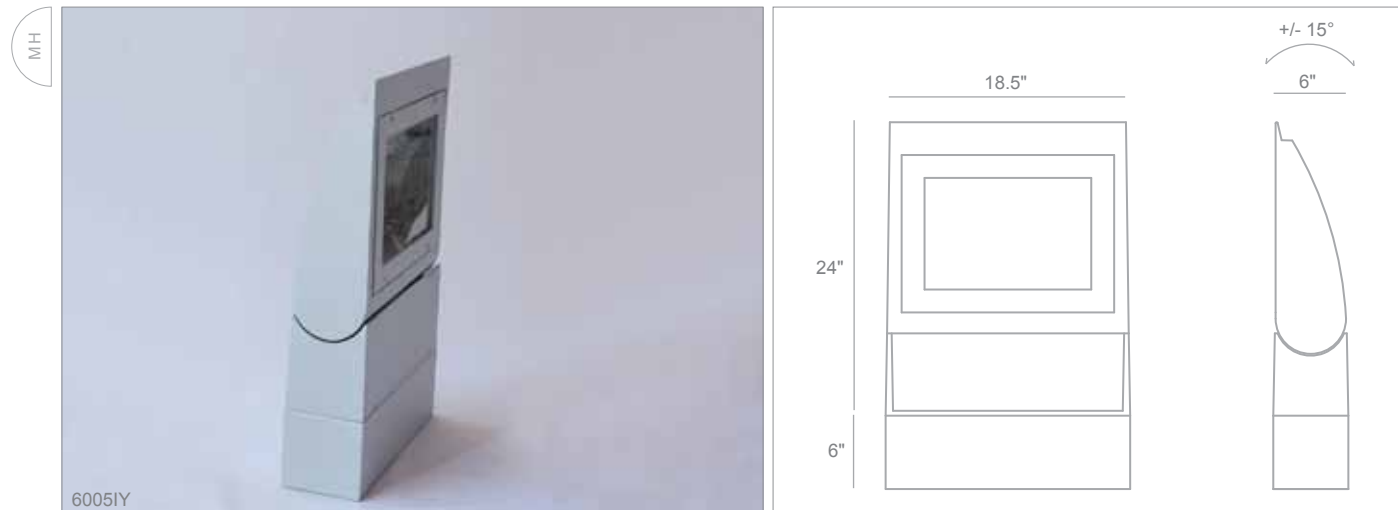
6001P Pendant



6000P Pendant



Streamline Vertical Plane Wash



Streamline Maxi Vertical Plane Wash Pedestal EXTERIOR

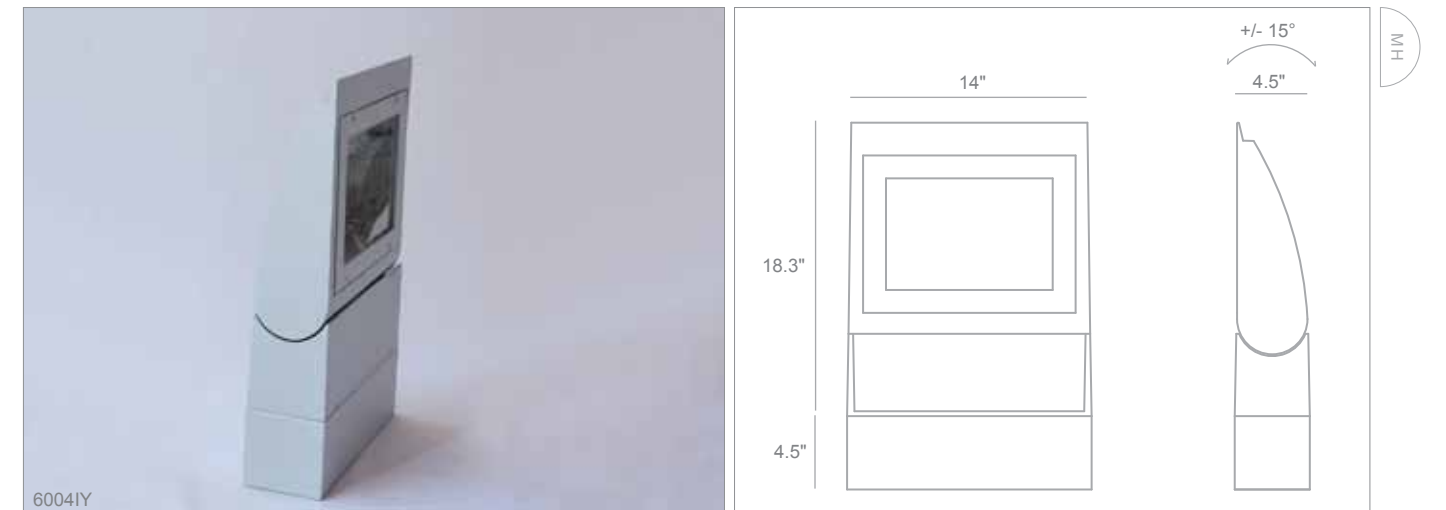
FAMILY CONCEPT The Streamline Vertical Plane Wash pedestal luminaires are optimized to wash surfaces from below. This Streamline pedestal luminaire is a maxi scale, exterior luminaire that features an asymmetric distribution.

MATERIAL Cast aluminum lamp housing and ballast enclosure with top plate, clear, tempered glass in cast, captive aluminum frame and precision, die-formed, specular, embossed aluminum asymmetric reflector.

MOUNTING Pedestal base with anchor bolts included. Head mounts to pedestal base.

PROTECTION Listed for use in wet locations to UL and CSA Standards.

MODEL	SOURCE	VOLT	OPTICS	OPTIONS	COLOR
6005IY	320H MH 250H MH 200H MH	120 208 240 277 347	L cross louver assembly	FS fuse kit	8 standard powder paints, RAL and custom available



Streamline Midi Vertical Plane Wash Pedestal EXTERIOR

FAMILY CONCEPT The Streamline Vertical Plane Wash pedestal luminaires are optimized to wash surfaces from below. This Streamline pedestal luminaire is a midi scale, exterior luminaire that features an asymmetric distribution.

MATERIAL Cast aluminum lamp housing and ballast enclosure with top plate, clear, tempered glass in aluminum frame and precision, die-formed, specular, embossed aluminum asymmetric reflector.

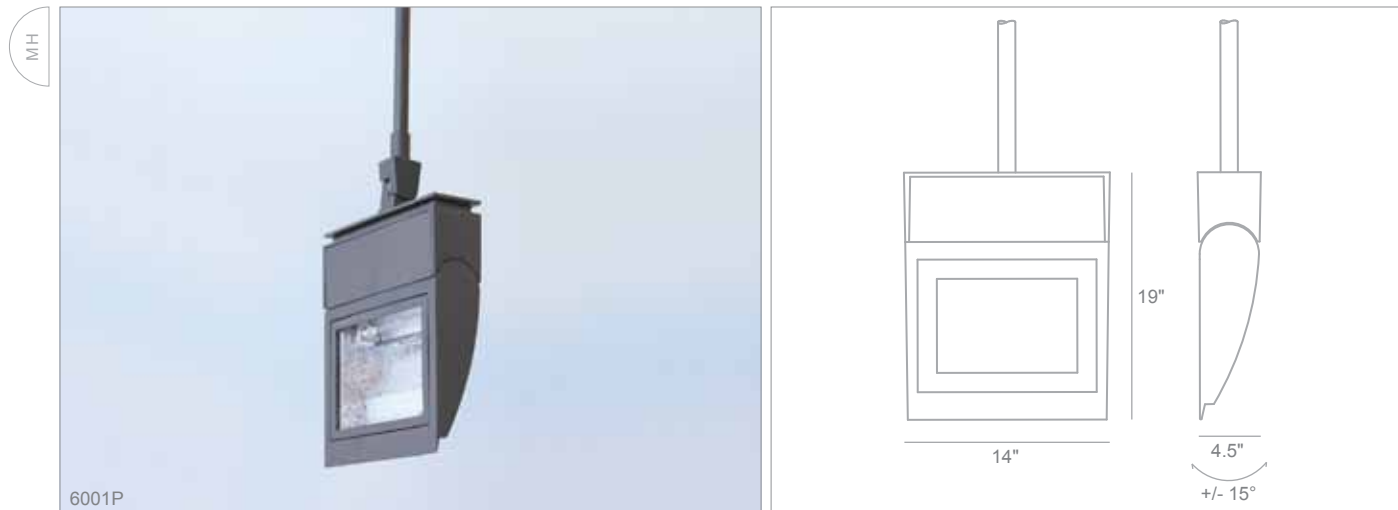
MOUNTING Pedestal base with anchor bolts included. Head mounts to pedestal base.

PROTECTION Listed for use in wet locations to UL and CSA Standards.

MODEL	SOURCE	VOLT	OPTICS	OPTIONS	COLOR
6004IY	150H MH 70H MH 39H MH	120 208 240 277 347	L cross louver assembly	FS fuse kit	8 standard powder paints, RAL and custom available

Refer to specification pages online for further technical details.

Refer to specification pages online for further technical details.



Streamline Midi Vertical Plane Wash Pendant INTERIOR

FAMILY CONCEPT The Streamline Vertical Plane Wash pendant luminaires are optimized to wash surfaces from above. This Streamline pendant luminaire is a midi scale, interior luminaire that features an asymmetric distribution.

MATERIAL Cast aluminum lamp housing and ballast enclosure with top plate, clear, tempered glass in aluminum frame and precision, die-formed, specular, embossed aluminum asymmetric reflector with aluminum conduit stem.

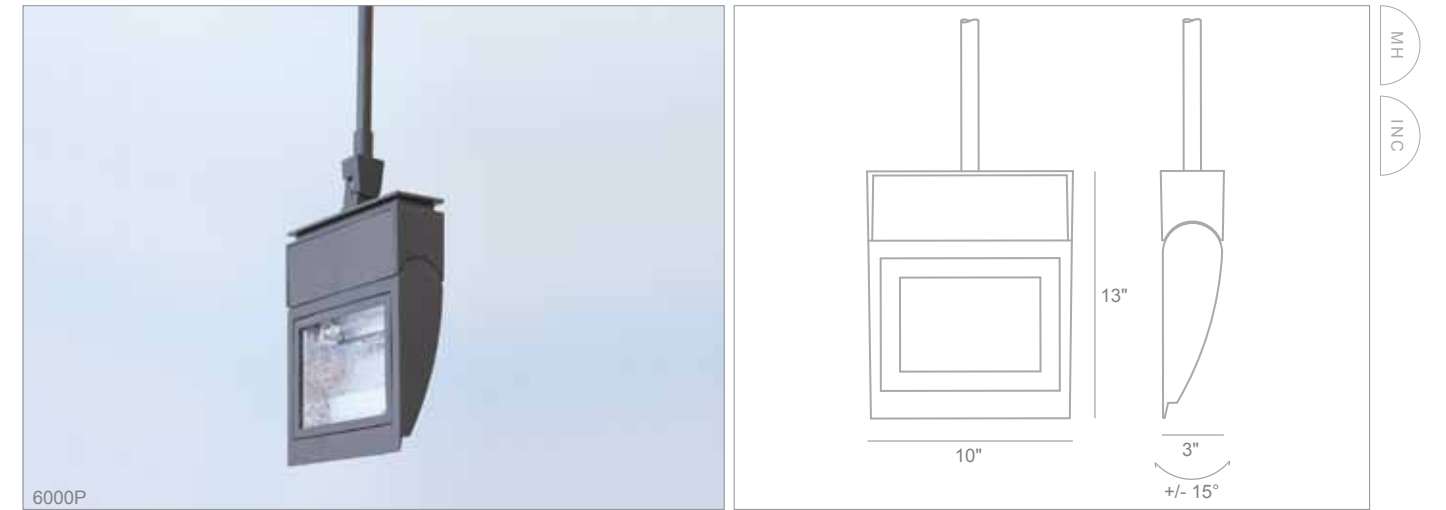
MOUNTING Pendant with canopy mount. Stem length needs to be specified.

PROTECTION Listed for use in dry or damp locations to UL and CSA Standards.

MODEL	SOURCE	VOLT	OPTIONS	COLOR
6001P	150H	MH	120 FS fuse kit	8 standard powder paints, RAL and custom available
	70H	MH	208 P (") pendant length	
	39H	MH	240 WL ¹ wet location listing	
	277			
	347			

¹For wet location "WL" adder must be indicated

Refer to specification pages online for further technical details.



Streamline Mini Vertical Plane Wash Pendant INTERIOR

FAMILY CONCEPT The Streamline Vertical Plane Wash pendant luminaires are optimized to wash surfaces from above. This Streamline pendant luminaire is a mini scale, interior luminaire that features an asymmetric distribution.

MATERIAL Cast aluminum lamp housing and ballast enclosure with top plate, clear, tempered glass in cast, captive aluminum frame and precision, die-formed, specular, embossed aluminum asymmetric reflector with aluminum conduit stem.

MOUNTING Pendant with canopy mount. Stem length needs to be specified.

PROTECTION Listed for use in dry or damp locations to UL and CSA Standards.

MODEL	SOURCE	VOLT	OPTIONS	COLOR
6000P	39H	MH	120 FS fuse kit	8 standard powder paints, RAL and custom available
	20H	MH	208 P (") pendant length	
	300I	INC	240	
	150I	INC	277	
			347	

Refer to specification pages online for further technical details.



Streamline Architectural Sconce

Signature Light Reveal

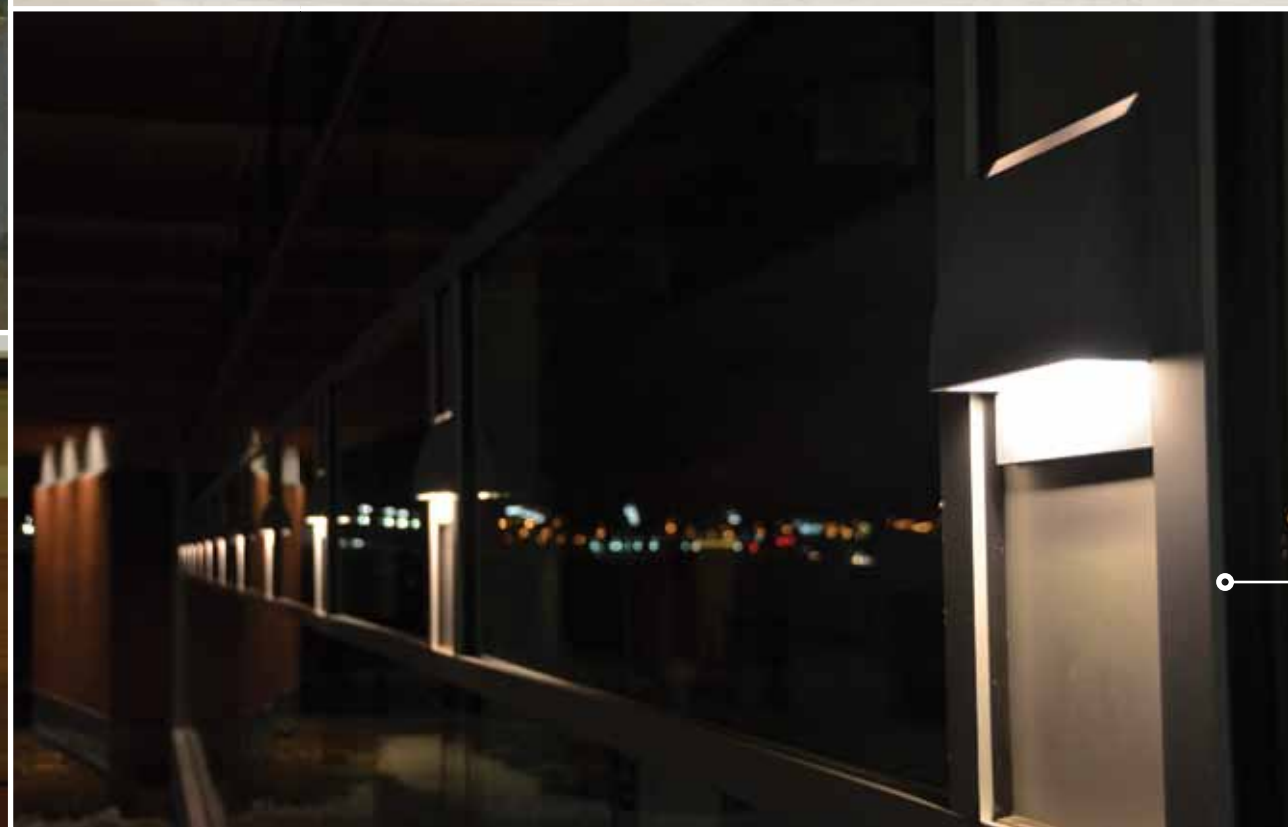
The Streamline Architectural Sconces provide a clean, minimalist look that blends into any building interior or exterior. The soft wall or ceiling wash of illumination is complemented by the Streamline signature light reveal. These sconces are die cast aluminium, small scale luminaires for use in healthcare,

education and corporate interiors. A wet location option has been added to the downlight sconce for use in outdoor applications. These luminaires are designed to ensure low maintenance cost over the life of the product. They are fully enclosed to exclude dust and other contaminants.

6030D
Mini Wall



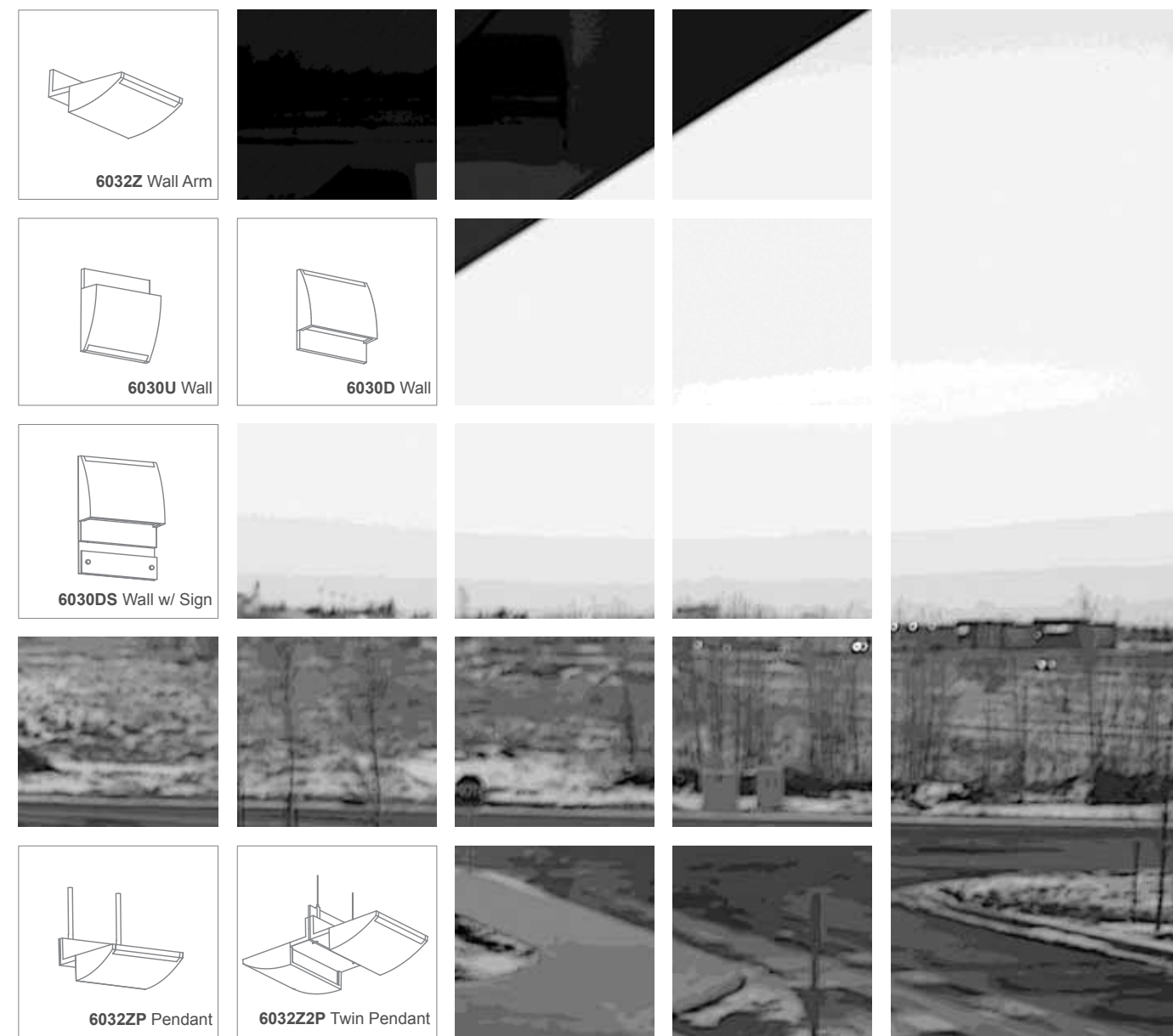
6030D
Mini Wall



6030D
Mini Wall

Dekker Center, North Battleford, SK

Dekker Center for the Performing Arts | Streamline Architectural Sconce Mini 6030D



Streamline Architectural Sconce



Streamline Mini Sconce Wall Arm Uplight

INTERIOR

FAMILY CONCEPT The Streamline Architectural Sconce family line of luminaires provide a clean, minimalistic look that blends into any building interior. The Streamline Sconce wall arm uplight is a mini scale interior luminaire that provides a soft wall or ceiling wash of illumination.

MATERIAL Pressure die cast aluminum housing, frost acrylic light reveal with Solite™ prismatic glass lens.

MOUNTING Wall surface mount. Stainless steel set screws secure luminaire to mounting plate.

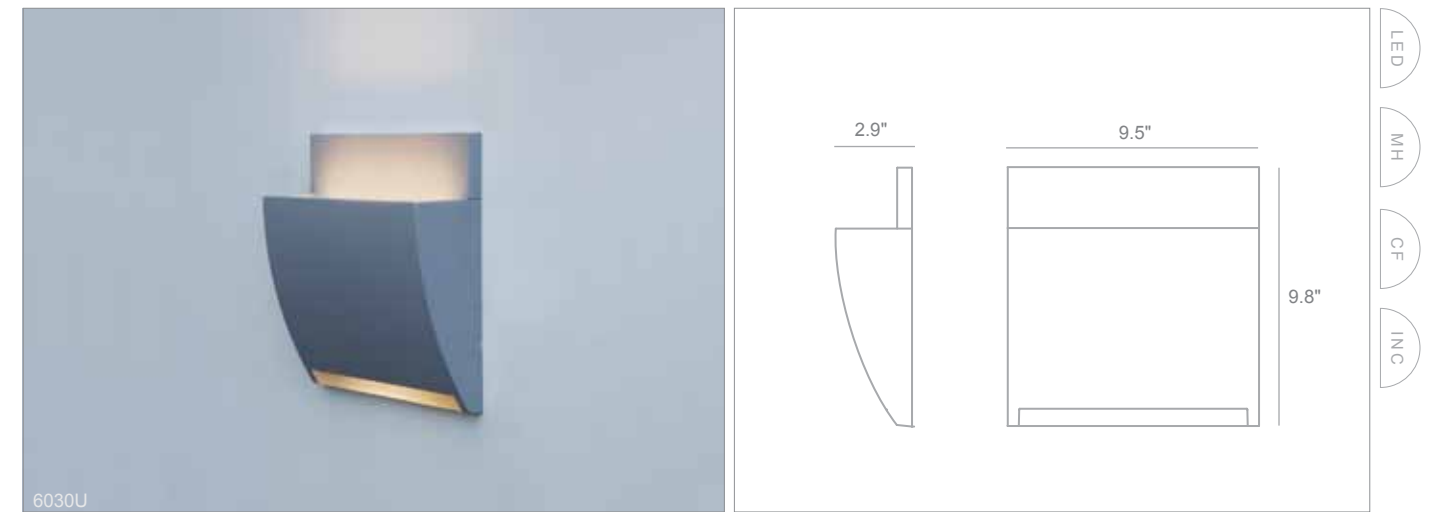
PROTECTION Listed for use in dry or damp locations to UL and CSA Standards. ADA compliant.

MODEL	SOURCE	VOLT	OPTIONS	COLOR	
6032Z	10L ³ 20H ² 126Q 118Q 100I ¹	LED MH CF CF INC	120 208 240 277 347+	EM remote battery pack (cf only)	8 standard powder paints, RAL and custom available

¹Only available in 120V ²Not available in 347V ³120/277 volt only

+Consult factory for LED

Refer to specification pages online for further technical details and current LED information.



Streamline Mini Sconce Wall Mount Uplight

INTERIOR

FAMILY CONCEPT The Streamline Architectural Sconce family line of luminaires provide a clean, minimalistic look that blends into any building interior. The Streamline Sconce wall mount uplight is a mini scale interior luminaire that provides a soft wall or ceiling wash of illumination.

MATERIAL Pressure die cast aluminum housing, frost acrylic light reveal with Solite™ prismatic glass lens.

MOUNTING Wall surface mount. Stainless steel set screws secure luminaire to mounting plate.

PROTECTION Listed for use in dry or damp locations to UL and CSA Standards. ADA compliant.

MODEL	SOURCE	VOLT	OPTIONS	COLOR	
6030U	10L ³ 20H ² 126Q 118Q 100I ¹	LED MH CF CF INC	120 208 240 277 347+	EM remote battery pack (cf only)	8 standard powder paints, RAL and custom available

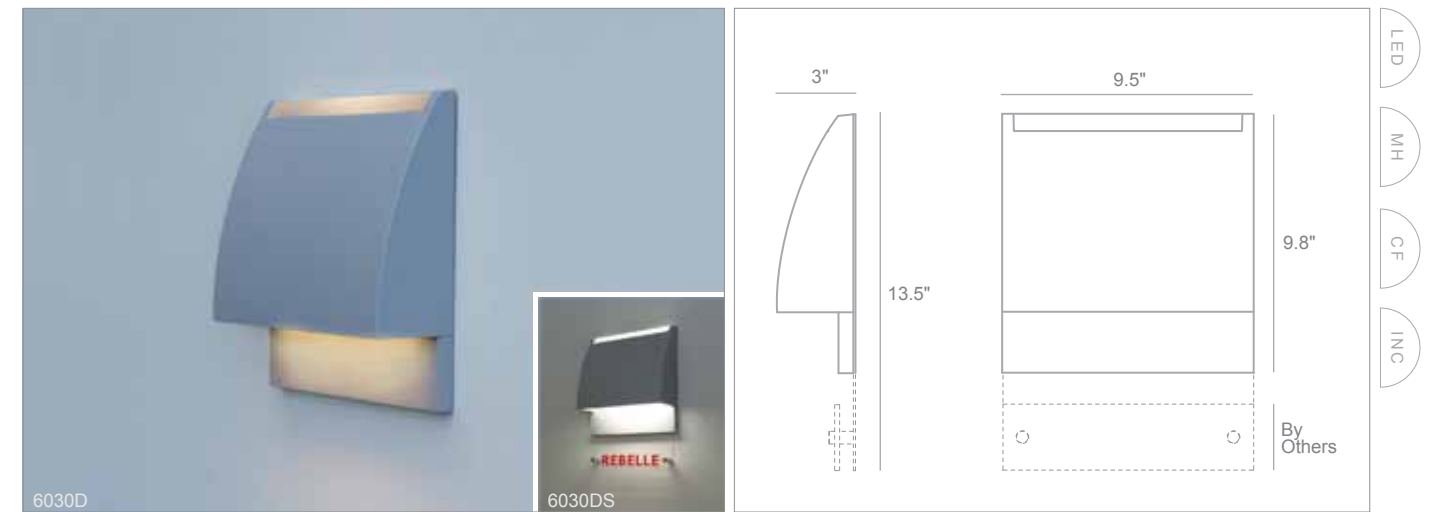
¹Only available in 120V ²Not available in 347V ³120/277 volt only

+Consult factory for LED

Refer to specification pages online for further technical details and current LED information.



Streamline Architectural Sconce Mini 6030D



Streamline Mini Sconce Wall Mount Downlight INTERIOR

FAMILY CONCEPT The Streamline Architectural Sconce family line of luminaires provides a clean, minimalistic look that blends into any building interior or exterior. The Streamline Sconce wall mount downlight is a mini scale interior or exterior luminaire that provides downlight illumination.

MATERIAL Pressure die cast aluminum housing, frost acrylic light reveal with Solite™ prismatic glass lens. Sign mounting kit included in DS version.

MOUNTING Wall surface mount. Stainless steel set screws secure luminaire to mounting plate. Sign panel by others.

PROTECTION Listed for use in dry or damp locations to UL and CSA Standards. ADA compliant.

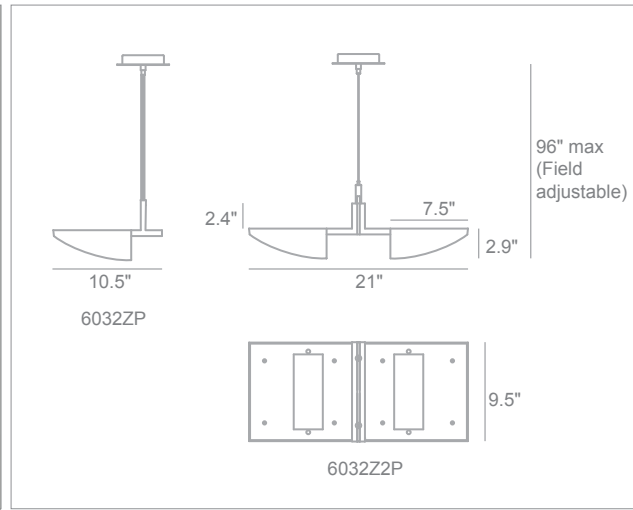
MODEL	SOURCE	VOLT	OPTIONS	COLOR	
6030D	10L ³	LED	120	EM ³ remote battery pack (cf only)	8 standard powder paints, RAL and custom available
6030DS	20H ²	MH	208	WL wet location listing	
	126Q	CF	240		
	118Q	CF	277		
	100I ¹	INC	347+		

¹Only available in 120V ²Not available in 347V ³120/277 volt only

⁺Consult factory for LED

Refer to specification pages online for further technical details and current LED information.

LED
MH
CF
INC



Streamline Mini Sconce Twin | Single Pendant Uplight INTERIOR

FAMILY CONCEPT The Streamline Architectural Sconce family line of luminaires provides a clean, minimalistic look that blends into any building interior. The Streamline Sconce twin and single pendant luminaires are mini scale interior luminaires that provide general illumination.

MATERIAL Pressure die cast aluminum housing, frost acrylic light reveal with Solite™ prismatic glass lens, 3/8" NPT rigid steel stem (single) or nickel plated gripper with metal braided clear jacket cable (double).

MOUNTING Pendant mount.

PROTECTION Listed for use in dry or damp locations to UL and CSA Standards.

MODEL	SOURCE	VOLT	OPTIONS	COLOR	
6032Z2P	10L ³	LED	120	P (_) pendant length	8 standard powder paints, RAL and custom available
6032ZP	20H ²	MH	208		
	126Q	CF	240		
	118Q	CF	277		
	100I ¹	INC	347+		

¹Only available in 120V ²Not available in 347V ³120/277 volt only

+Consult factory for LED

Refer to specification pages online for further technical details and current LED information.





CYL-003

Elegant Triangular Profile

The CYL-003 luminaires were designed to reinterpret the conventional cylindrical luminaire. The name CYL-003 was inspired by this luminaire's three sided cylindrical form. These luminaires suit installations where conventional cylindrical

shaped products are used. Constructed of aluminum with stainless steel hardware and using the latest high efficiency lamp or LED technology, these luminaires are not only attractive but effective.

7100LR
Midi Wall



7600T
Midi Wall Arm



7100
Midi Wall

Panorama Place, Surrey, BC



7600
Midi Post Top

Metropolitan Midtown, Charlotte, NC



7000
Midi Wall



7010
Midi Wall



7200P
Midi Pendant

Mazankowski Institute, Edmonton, AB



7200P
Midi Pendant

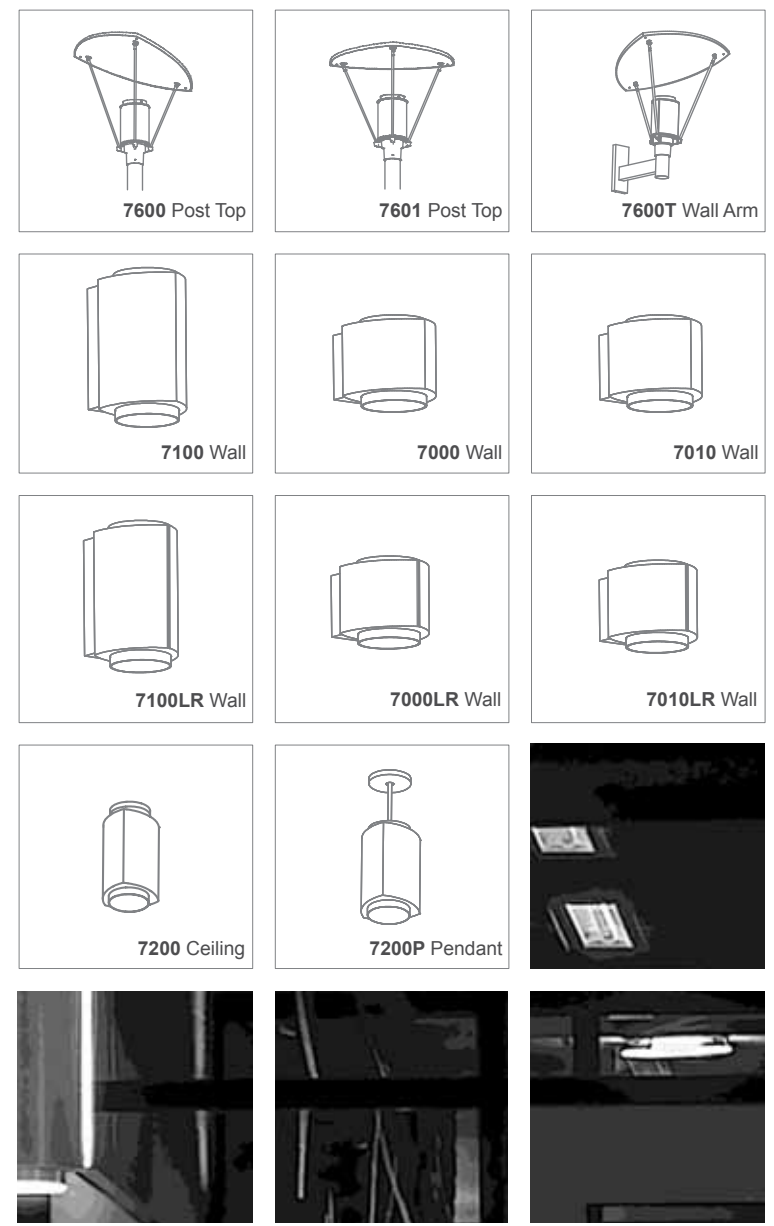


7000
Midi Wall

Mazankowski Institute, Edmonton, AB



Brazeau County Office | CYL-003 Midi 7100LR



CYL-003



CYL-003 Indirect Streetscape Post Top | Wall Arm EXTERIOR

FAMILY CONCEPT The CYL-003 family line of luminaires features an elegantly rounded triangular profile. The CYL-003 post top and wall arm luminaires are maxi scale, exterior luminaires that feature cutoff symmetric or semi cutoff, asymmetric illumination.

MATERIAL One piece marine grade aluminum shade, white powder coated aluminum reflector, brushed stainless steel arms, die-formed aluminum housing, embossed specular high reflectance aluminum with Solite™ tempered glass lens.

MOUNTING Post top or arm mount. Slip fit pole top tenon. Stainless steel set screws lock assembly to pole.

PROTECTION Listed for use in wet locations to UL and CSA Standards. Windloading EPA = 3.73 sq. ft.

MODEL	SOURCE	VOLT	COLOR
7600	150H MH	120	8 standard powder paints, RAL and custom available
7601	70H MH	208	
7600T	39H MH	240	
		277	
		347	

Refer to specification pages online for further technical details.



CYL-003 Midi 7100LR



CYL-003 Wall Mount Up/Down Light

EXTERIOR

- FAMILY CONCEPT** The CYL-003 family line of luminaires features an elegantly rounded triangular profile. The CYL-003 wall mount up/down luminaires are midi scale, exterior luminaires that feature up and down illumination.
- MATERIAL** Die-formed aluminum housing, machined aluminum end plates, Solite™ tempered glass shielding and embossed specular high reflectance aluminum reflector.
- MOUNTING** Wall mount. Main housing hooks onto mounting plate and is secured with two stainless steel set screws.
- PROTECTION** Listed for use in wet locations to UL and CSA Standards.

MODEL	SOURCE	VOLT	OPTICS	OPTIONS	COLOR
7100	1x15L ² LED	120	FL ¹ flood - 24° beam angle	AUX ² auxiliary lighting system - quartz restrike	8 standard powder paints, RAL and custom available
7100LR	2x15L ² LED	208	SP ¹ spot - 14° beam angle	TC top cover (downlight only)	
	1x23L ² LED	240	WFL ¹ wide flood - 34° beam angle	DIM ¹ dimming driver	
	2x23L ² LED	277	VWFL ¹ very wide flood - 60° beam angle	PC photocell control	
	150H MH	347+		930 ¹ high CRI 3000K modules	
	70H MH			CF ¹ 2000 & 3000 lumen modules ³	
	39H MH			CLR colored light reveal ³	
				40 ¹ 4000K	
				30 ¹ 3000K	
				27 ¹ 2700K	

¹LED units only ²Not available in LR model ³Consult factory

⁺Consult factory for LED

Refer to specification pages online for further technical details and current LED information.



CYL-003 Midi 7000



CYL-003 Wall Grazer Up/Down Light

EXTERIOR

- FAMILY CONCEPT** The CYL-003 family line of luminaires features an elegantly rounded triangular profile. The CYL-003 wall grazer up/down luminaires are midi scale, exterior luminaires that feature customizable up and down illumination.
- MATERIAL** Marine grade, die-formed aluminum housing, machined aluminum end plates, anodized aluminum reflector, beam magnifier lens and Solite™ tempered glass lens.
- MOUNTING** Wall mount. Main housing hooks onto mounting plate and is secured with two stainless steel set screws.
- PROTECTION** Listed for use in wet locations to UL and CSA Standards.

MODEL	SOURCE	VOLT	OPTICS	OPTIONS	COLOR			
7000	150H ¹	MH	120	STD	standard beam up - flood down	F	fusing	8 standard powder paints, RAL and custom available
7000LR	70H	MH	208	INV	flood up - beam down	CLR	colored light reveal - consult factory	
	39H	MH	240	BC	beam cover - flood down			
			277	BC-INV	beam cover - flood up			
			347	FC-INV	flood cover - beam down			
				FC	flood cover beam up			
				FL/UD	flood up - flood down			
				PB/UD	beam up - beam down			

¹Not available in LR units

Refer to specification pages online for further technical details.



CYL-003 Wall Up/Down Light

EXTERIOR

FAMILY CONCEPT The CYL-003 family line of luminaires features an elegantly rounded triangular profile. The CYL-003 compact fluorescent and LED up/down luminaires are midi scale, exterior luminaires that feature up and down illumination.

MATERIAL Marine grade, die-formed aluminum housing, machined aluminum end plates, anodized aluminum reflector and Solite™ tempered glass lens.

MOUNTING Wall mount. Main housing hooks onto mounting plate and is secured with two stainless steel set screws.

PROTECTION Listed for use in wet locations to UL and CSA Standards.

MODEL	SOURCE	VOLT	OPTICS	OPTIONS	COLOR
7010	1x15L ¹ LED	120	STD	flood down (24° beam ²)	8 standard powder paints, RAL and custom available
7010LR	2x15L ¹ LED	208	INV	flood up (24° beam ²)	
	142T CF	240	FL/UD	flood up - flood down	
	132T CF	277		(24° flood down - wide flood up ²)	
		347+			
				DIM ³ dimming driver	
				40 ² 4000K	
				30 ² 3000K	
				27 ² 2700K	

¹Not available in LR units ²LED units only ³Excluding LED

+Consult factory for LED

Refer to specification pages online for further technical details and current LED information.



CYL-003 Ceiling | Pendant Downlight

INTERIOR

FAMILY CONCEPT The CYL-003 family line of luminaires features an elegantly rounded triangular profile. The CYL-003 ceiling/pendant mount luminaires are midi scale, interior luminaires that provide general illumination.

MATERIAL Marine grade, die-formed aluminum housing, machined aluminum end plates, anodized aluminum reflector and Solite™ tempered glass lens, nickel plated +/- 5° hangstraight swivel, steel stem and aluminum canopy.

Ceiling or pendant mount. Luminaire must be restrained from wind action in wet locations.

MOUNTING

Listed for use in dry or damp locations to UL and CSA Standards. Specify "WL" for wet location option.

PROTECTION

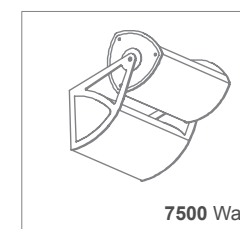
MODEL	SOURCE	VOLT	MOUNTING	OPTICS	OPTIONS	COLOR
7200	1x15L LED	120	SW	hangstraight	WL ¹ wet location listing	8 standard powder paints, RAL and custom available
7200P	1x23L LED	208	swivel mount	FL ¹ flood - 24° beam angle	P("_") pendant length	
	70H MH	240	+/- 5°	SP ¹ spot - 14° beam angle	DIM ¹ dimming driver	
	39H MH	277	C86	WFL ¹ wide flood - 34° beam angle	930 ¹ high CRI 3000K modules	
	142T CF	347+	45° ball aligner	VWFL ¹ very wide flood - 60° beam angle	40 ¹ 4000K	
	132T CF		hanger		30 ¹ 3000K	
					27 ¹ 2700K	

¹LED units only

+Consult factory for LED

Refer to specification pages online for further technical details and current LED information.

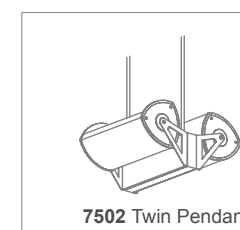
CYL-003 | 7500 Indirect Asymmetric



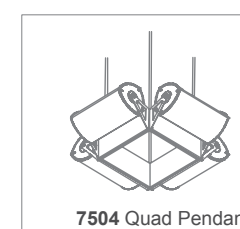
7500 Wall



7501 Wall



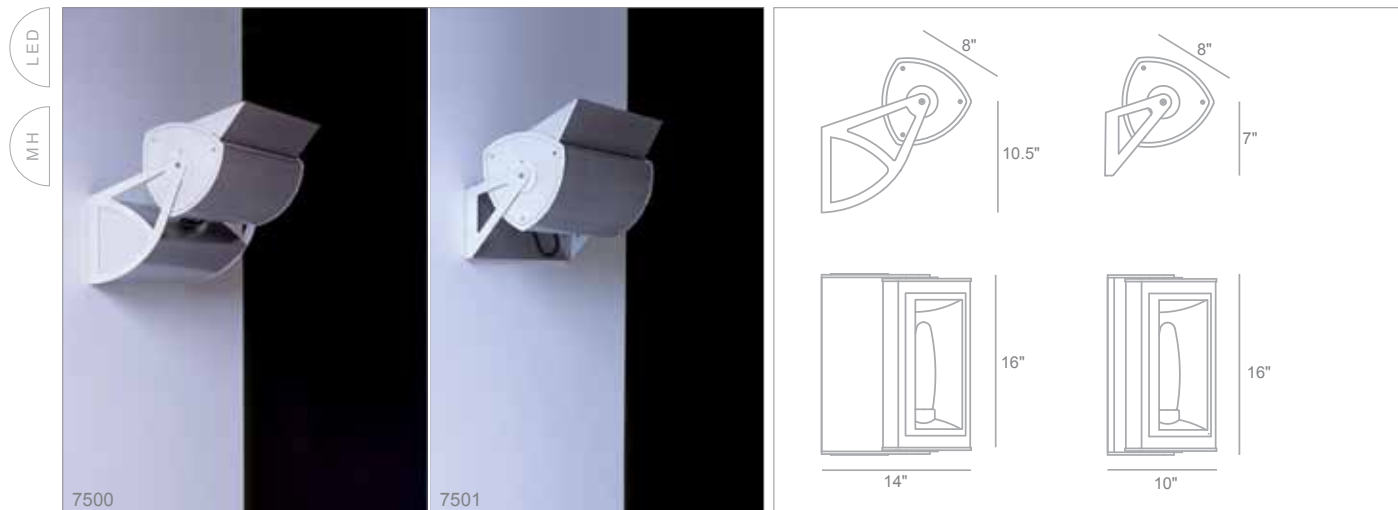
7502 Twin Pendant



7504 Quad Pendant



CYL-003 Asymmetric



CYL-003 Indirect Asymmetric Wall Mount

INTERIOR

FAMILY CONCEPT The CYL-003 family line of luminaires features an elegantly rounded triangular profile. The CYL-003 indirect asymmetric luminaires are midi scale, interior luminaires that provide indirect, asymmetric ceiling or wall wash illumination.

MATERIAL Die-formed aluminum housing, machined aluminum end plates, clear, tempered glass in captive frame lens, embossed high reflectance, specular aluminum reflector with aluminum side arms.

MOUNTING Wall mount. Mounting plate secures luminaire to wall. Integral (7500) or remote (7501) ballast.

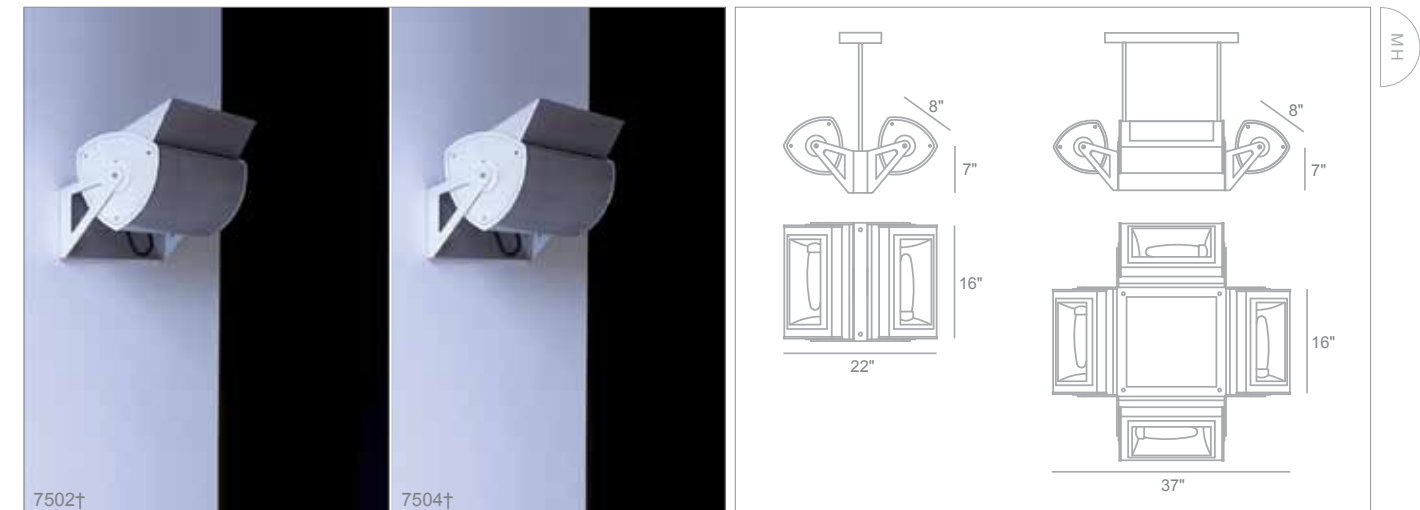
PROTECTION Listed for use in dry or damp locations to UL and CSA Standards.

MODEL	SOURCE	VOLT	MOUNTING	OPTICS	OPTIONS	COLOR
7500	48L ¹ LED	120	HW	horizontal	CV cutoff visor	8 standard powder paints, RAL and custom available
7501	320H MH	208		(ceiling) wash	AUX ² auxiliary lighting control - quartz restrike	
	250H MH	240	VW	vertical (wall)	EE ¹ epoxy encapsulated ballast	
	200H MH	277		wash		
		347+				

¹7500 unit only ²Excluding LED

⁺Consult factory for LED

Refer to specification pages online for further technical details and current LED information.



CYL-003 Indirect Asymmetric Pendant Mount

INTERIOR

FAMILY CONCEPT The CYL-003 family line of luminaires features an elegantly rounded triangular profile. The CYL-003 indirect asymmetric luminaires are midi scale, interior luminaires that provide indirect, asymmetric ceiling or wall wash illumination.

MATERIAL Die-formed aluminum housing, machined aluminum end plates, clear, tempered glass in captive frame lens, embossed high reflectance, specular aluminum reflector with aluminum side arms.

MOUNTING Pendant canopy mount. Suspended by 1/2" steel stems. Remote ballast. Lamp to ballast distance up to 50 feet.

PROTECTION Listed for use in dry or damp locations to UL and CSA Standards.

MODEL	SOURCE	VOLT	MOUNTING	OPTICS	OPTIONS	COLOR
7502†	320H MH	120	HW	horizontal	CV cutoff visor	8 standard powder paints, RAL and custom available
7504†	250H MH	208		(ceiling) wash	AUX auxiliary lighting control - quartz restrike	
	200H MH	240	VW	vertical (wall)	P(") pendant length	
		277		wash		
		347				

Refer to specification pages online for further technical details.



Orchestra Circle

Unique Reflector System

The Orchestra Circle family of architectural luminaires is designed to simplify the coordination and specification of lighting. While maintaining a cohesive image and style, the Orchestra Circle family of luminaires provides lighting solutions for the exterior and interior of a building project by offering a

variety of scales, lamp sources and mounting configurations to suit every condition of a building. Optic systems include perforated metal shield, glare band and clear or frosted lens. The unique reflector system is three position field adjustable.

2756W
Maxi Wall Arm



2757S
Mini Wall Sconce

Private Residence, Sausalito, CA



2757T
Mini Post Top



2756T
Maxi Post Top

Crystal Beach, Woodward, OK



2757B
Mini Bollard



2756P
Maxi Pendant



2757P
Mini Pendant



2756W
Maxi Wall Arm

Camas High School, Camas, WA



2756
Maxi Ceiling Mount

Crystal Beach, Woodward, OK



2757W
Mini Wall Arm



Washington State Patrol Crime Lab | Orchestra Circle Maxi 2756T



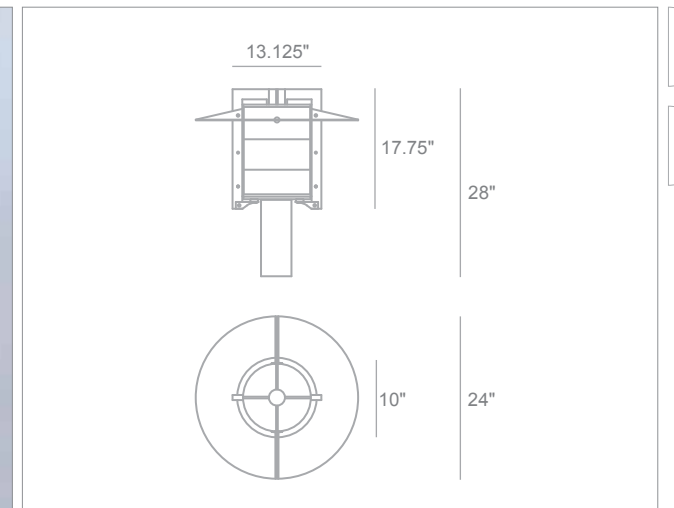
Orchestra Circle



Orchestra Circle Maxi 2756T



2756T



Orchestra Circle Maxi Streetscape Post Top

EXTERIOR

FAMILY CONCEPT The Orchestra Circle family was designed to simplify the coordination and specification of architectural lighting. The Orchestra Circle post top is a maxi scale, exterior luminaire that features a unique three position, field adjustable reflector disk.

MATERIAL Heavy aluminum support frame, pressure die cast aluminum lock up, die-formed aluminum glare guard or perforated liner, reflector disk with thermo-formed acrylic diffusers and stainless steel fasteners.

MOUNTING Post top mount. Slip fit pole top tenon. Stainless steel set screws lock head to pole.

PROTECTION Listed for use in wet locations to UL and CSA Standards. Windloading EPA = 1.35 sq. ft.

MODEL	SOURCE	VOLT	SHIELD	DIFFUSER	REFRACTOR	OPTIONS	COLOR
2756T	60L LED	120	GG ³ glare guard	RF frost	T5 ¹ type V refractor	F ¹ fusing	8 standard powder paints, RAL and custom available
	150H MH	208	PF perforated liner	CL clear	T3 ² type III refractor	DIM ² dimming driver	
	100H MH	240				T2 ² type II distribution	
	70H MH	277				T3 ² type III distribution	
		347+				T5 ² type V distribution	

¹For MH models only ²LED units only ³Excluding LED

+Consult factory for LED

Refer to specification pages online for further technical details and current LED information.



Orchestra Circle Mini Landscape Post Top EXTERIOR

FAMILY CONCEPT The Orchestra Circle family was designed to simplify the coordination and specification of architectural lighting. The Orchestra Circle post top is a mini scale, exterior luminaire that features a unique three position, field adjustable reflector disk.

MATERIAL Heavy aluminum support frame, pressure die cast aluminum lock up, die-formed aluminum glare guard or perforated liner, reflector disk with thermo-formed acrylic diffusers and stainless steel fasteners.

MOUNTING Post top mount. Slip fit pole top tenon. Stainless steel set screws secure head to pole. Pole supplied separately.

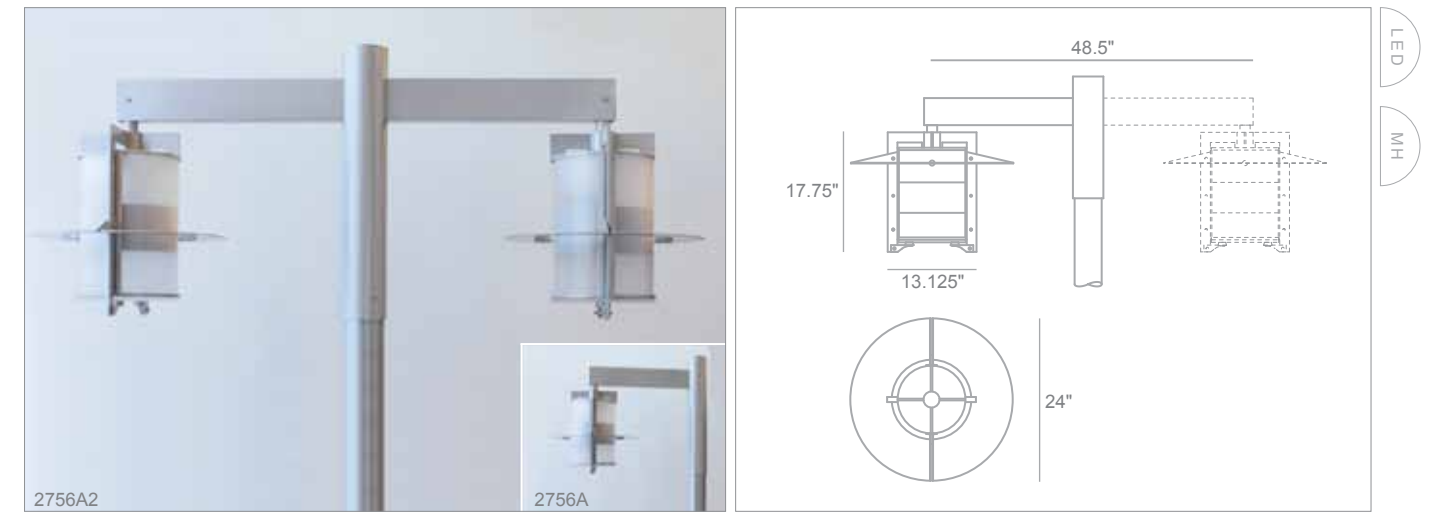
PROTECTION Listed for use in wet locations to UL and CSA Standards. Windloading EPA = 0.53 sq. ft.

MODEL	SOURCE	VOLT	SHIELD	DIFFUSER	OPTIONS	COLOR
2757T	20L LED 50H ¹ MH 142T CF 132T CF	120 208 240 277 347+	GG ² glare guard PF perforated liner	RF frost CL clear	F ² fusing DIM ³ dimming driver T2 ³ type II distribution T3 ³ type III distribution T5 ³ type V distribution	8 standard powder paints, RAL and custom available

¹Only available in 120V or 277V ²Excluding LED ³LED units only

⁴Consult factory for LED

Refer to specification pages online for further technical details and current LED information.



Orchestra Circle Maxi Streetscape Post Arm EXTERIOR

FAMILY CONCEPT The Orchestra Circle family was designed to simplify the coordination and specification of architectural lighting. The Orchestra Circle post arm is a maxi scale, exterior luminaire that features a unique three position, field adjustable reflector disk.

MATERIAL Heavy aluminum support frame, pressure die cast aluminum lock up, die-formed aluminum glare guard or perforated liner, reflector disk with thermo-formed acrylic diffusers, acrylic bottom lens and stainless steel fasteners.

MOUNTING Post arm mount. Slip fit pole top tenon. Stainless steel set screws lock ballast compartment to pole or tenon.

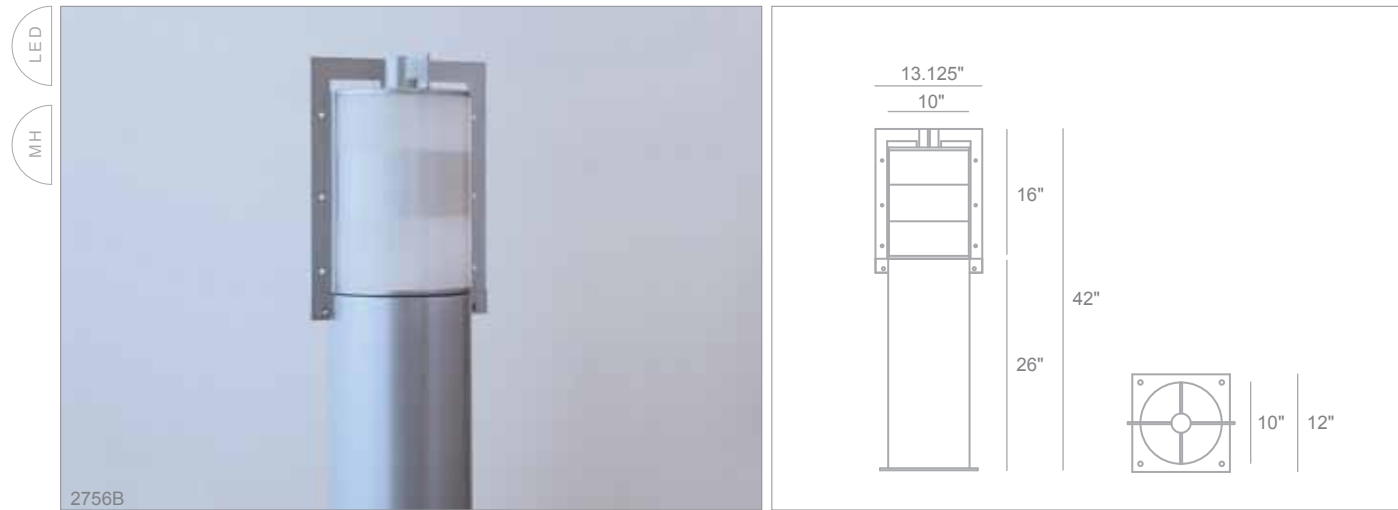
PROTECTION Listed for use in wet locations to UL and CSA Standards. Windloading EPA = Single 1.86 sq. ft. | Double 3.72 sq. ft.

MODEL	SOURCE	VOLT	SHIELD	DIFFUSER	OPTIONS	COLOR
2756A 2756A2	60L LED 200H MH 150H MH 100H MH 70H MH	120 208 240 277 347+	GG ³ glare guard PF perforated liner	RF frost CL clear	F ¹ fusing DIM ² dimming driver T2 ² type II distribution T3 ² type III distribution T5 ² type V distribution	8 standard powder paints, RAL and custom available

¹For MH models only ²LED units only ³Excluding LED

⁴Consult factory for LED

Refer to specification pages online for further technical details and current LED information.



Orchestra Circle Maxi Streetscape Bollard EXTERIOR

FAMILY CONCEPT The Orchestra Circle family was designed to simplify the coordination and specification of architectural lighting. The Orchestra Circle bollard is a maxi scale, exterior luminaire that features optional clear or frost diffuser, glare guard or perforated liner.

MATERIAL Aluminum frame, extruded aluminum shaft, .250" aluminum base plate, thermo-formed polycarbonate diffusers and stainless steel fasteners.

MOUNTING Mounts to concrete base (by others). Anchor bolts, template and hardware provided. Base cover is an optional extra.

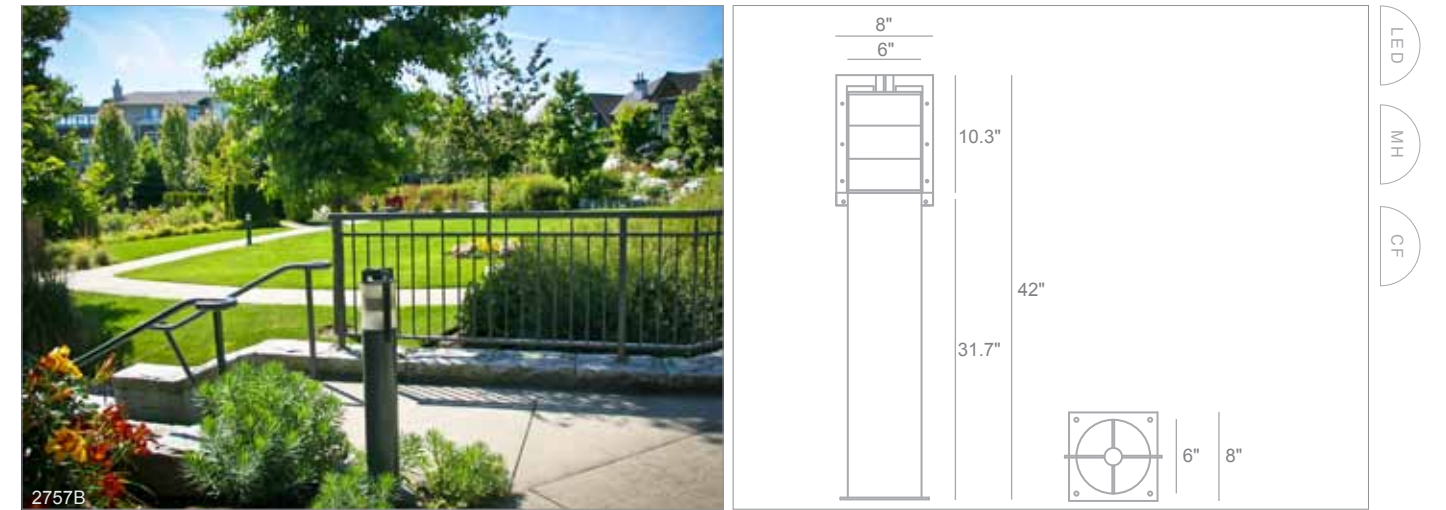
PROTECTION Listed for use in wet locations to UL and CSA Standards.

MODEL	SOURCE	VOLT	SHIELD	DIFFUSER	OPTIONS	COLOR
2756B	60L LED	120	GG ³ glare guard	RF frost	F ¹ fusing	8 standard powder paints, RAL and custom available
	150H MH	208	PF perforated liner	CL clear	RD reflector disks	
	100H MH	240			BCS base cover - square	
	70H MH	277			DIM ² dimming driver	
		347+				

¹For MH models only ²LED units only ³Excluding LED

⁺Consult factory for LED

Refer to specification pages online for further technical details and current LED information.



Orchestra Circle Mini Landscape Bollard EXTERIOR

FAMILY CONCEPT The Orchestra Circle family was designed to simplify the coordination and specification of architectural lighting. The Orchestra Circle bollard is a mini scale, exterior luminaire that features optional clear or frost diffuser, glare guard or perforated liner.

MATERIAL Aluminum frame, extruded aluminum shaft, .250" aluminum base plate, thermo-formed polycarbonate diffusers and stainless steel fasteners.

MOUNTING Mounts to concrete base (by others). Anchor bolts, template and hardware provided. Base cover is an optional extra.

PROTECTION Listed for use in wet locations to UL and CSA Standards.

MODEL	SOURCE	VOLT	SHIELD	DIFFUSER	OPTIONS	COLOR
2757B	20L LED	120	GG ³ glare guard	RF frost	F ¹ fusing	8 standard powder paints, RAL and custom available
	70H MH	208	PF perforated liner	CL clear	RD reflector disks	
	50H MH	240			BCS base cover - square	
	142T CF	277			DIM ² dimming driver	
	132T CF	347+			T2 ² type II distribution (streetlight)	
					T3 ² type III distribution (arealight)	
					T5 ² type V distribution	

¹CF and HID models only ²LED units only ³Excluding LED

⁺Consult factory for LED

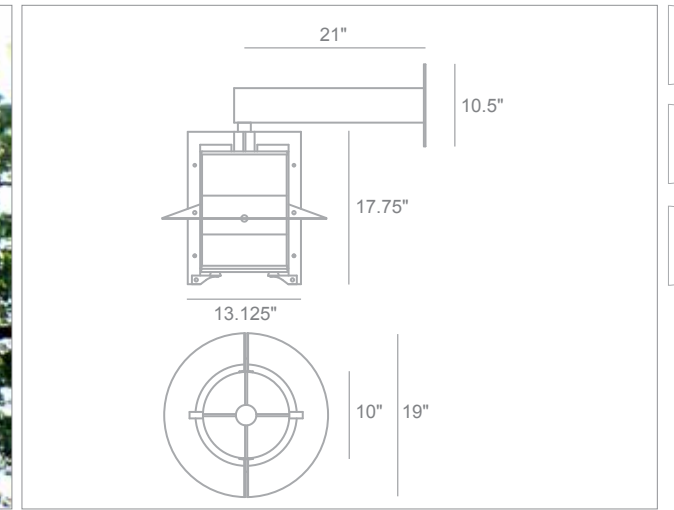
Refer to specification pages online for further technical details and current LED information.



Orchestra Circle Maxi 2756W (Integral)



2756W (Remote)



Orchestra Circle Maxi Wall Arm Mount

EXTERIOR

FAMILY CONCEPT The Orchestra Circle family was designed to simplify the coordination and specification of architectural lighting. The Orchestra Circle wall arm is a maxi scale, exterior luminaire that features a unique three position, field adjustable reflector disk.

MATERIAL Aluminum support frame, extruded aluminum arm, pressure die cast aluminum hinge/lock up, die-formed aluminum reflector disk, glare guard and wall canopy, thermo-formed acrylic diffuser and bottom lens with stainless steel fasteners.

MOUNTING Adequate wall backing strength is required to support fixture. Optional integral ballast design option adds to canopy depth in HID units.

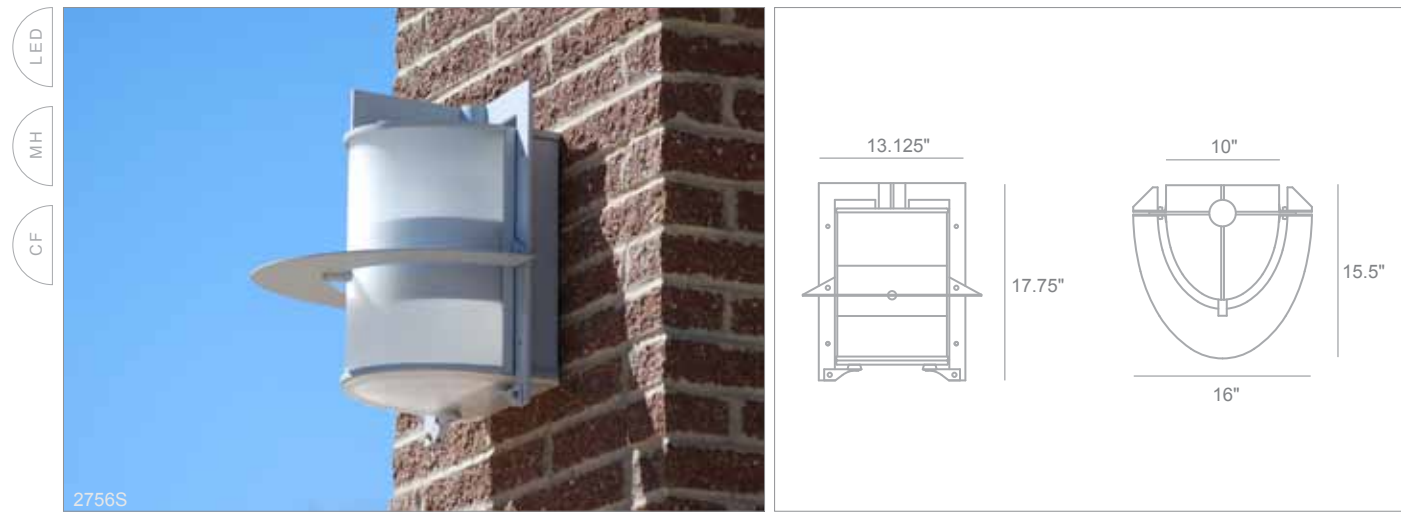
PROTECTION Listed for use in wet locations to UL and CSA Standards.

MODEL	SOURCE	VOLT	SHIELD	DIFFUSER	BALLAST LOCATION	OPTIONS	COLOR
2756W	60L LED	120	GG ³ glare guard	RF frost	REM ¹ remote ballast	F fusing	8 standard powder paints, RAL and custom available
	200H MH	208	PF perforated liner	CL clear	INT integral ballast	DIM ² dimming driver	
	150H MH	240				T2 ² type II distribution	
	100H MH	277				T3 ² type III distribution	
	70H MH	347+				T5 ² type V distribution	
	170T CF						
	157T CF						
	142T CF						
	132T CF						

¹HID models only ²LED units only ³Excluding LED

+Consult factory for LED

Refer to specification pages online for further technical details and current LED information.



Orchestra Circle Maxi Wall Sconce

EXTERIOR

FAMILY CONCEPT The Orchestra Circle family was designed to simplify the coordination and specification of architectural lighting. The Orchestra Circle sconce is a maxi scale, exterior luminaire that features a unique three position, field adjustable reflector disk.

MATERIAL Aluminum support frame, pressure die cast aluminum lock up, die-formed aluminum glare guard, canopy and reflector disk with thermo-formed acrylic diffusers, acrylic lens and stainless steel fasteners.

MOUNTING Luminaire hooks on to mounting plate and is secured with two set screws.

PROTECTION Listed for use in wet locations to UL and CSA Standards.

MODEL	SOURCE	VOLT	SHIELD	DIFFUSER	OPTIONS	COLOR
2756S	22L LED	120	GG ³ glare guard	RF frost	F ¹ fusing	8 standard powder paints, RAL and custom available
	200H MH	208	PF perforated liner	CL clear	DIM ² dimming driver	
	150H MH	240				
	100H MH	277				
	70H MH	347+				
	170T CF					
	157T CF					
	142T CF					
	132T CF					

¹CF and HID units only ²LED units only ³Excluding LED

+Consult factory for LED

Refer to specification pages online for further technical details and current LED information.



Orchestra Circle Maxi Linear Wall Sconce

EXTERIOR

FAMILY CONCEPT The Orchestra Circle family was designed to simplify the coordination and specification of architectural lighting. The Orchestra Circle linear sconce is a maxi scale, exterior luminaire that features a unique three position, field adjustable reflector disk.

MATERIAL Heavy aluminum support frame, pressure die cast aluminum lock up, die-formed aluminum, canopy and reflector disk with thermo-formed acrylic diffusers, acrylic lens and stainless steel fasteners.

MOUNTING Luminaire hooks on to mounting plate and is secured with two set screws.

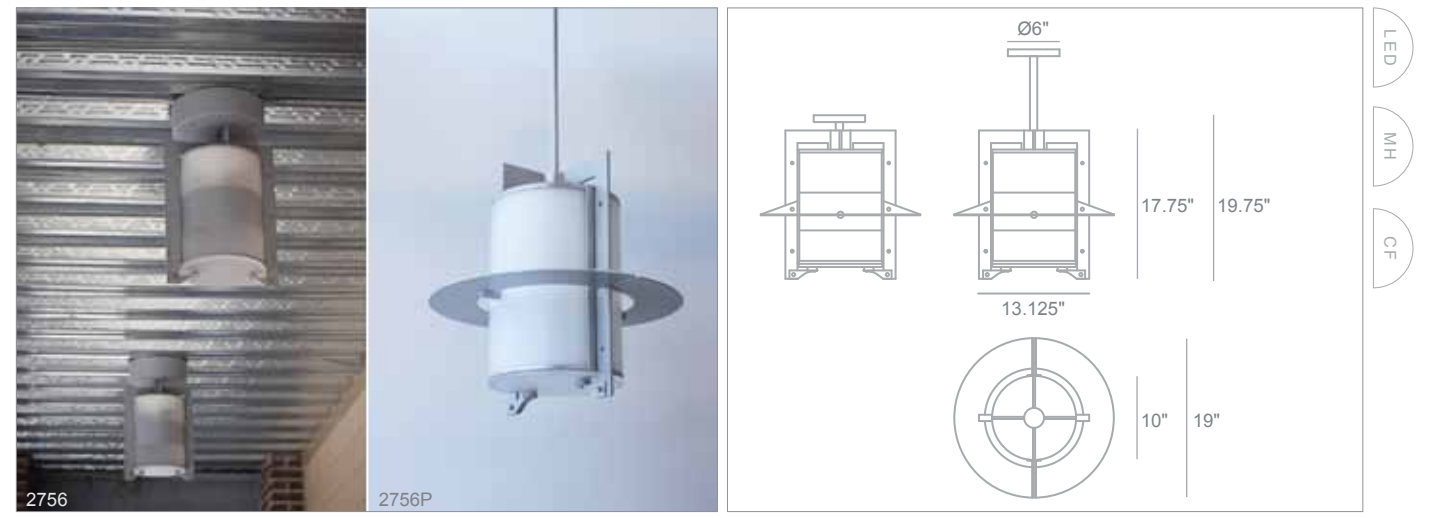
PROTECTION Listed for use in wet locations to UL and CSA Standards.

MODEL	SOURCE	VOLT	DIFFUSER	OPTIONS	COLOR
2756SL	2x55 CF	120	RF frost	F fusing	8 standard powder paints, RAL and custom available
		208		PF perforated liner	
		240			
		277			
		347			

Refer to specification pages online for further technical details.



Orchestra Circle Maxi 2756P



Orchestra Circle Maxi Pendant / Ceiling Mount INTERIOR

FAMILY CONCEPT The Orchestra Circle family was designed to simplify the coordination and specification of architectural lighting. The Orchestra Circle ceiling / pendant is a maxi scale, interior luminaire that features a unique three position, field adjustable reflector disk.

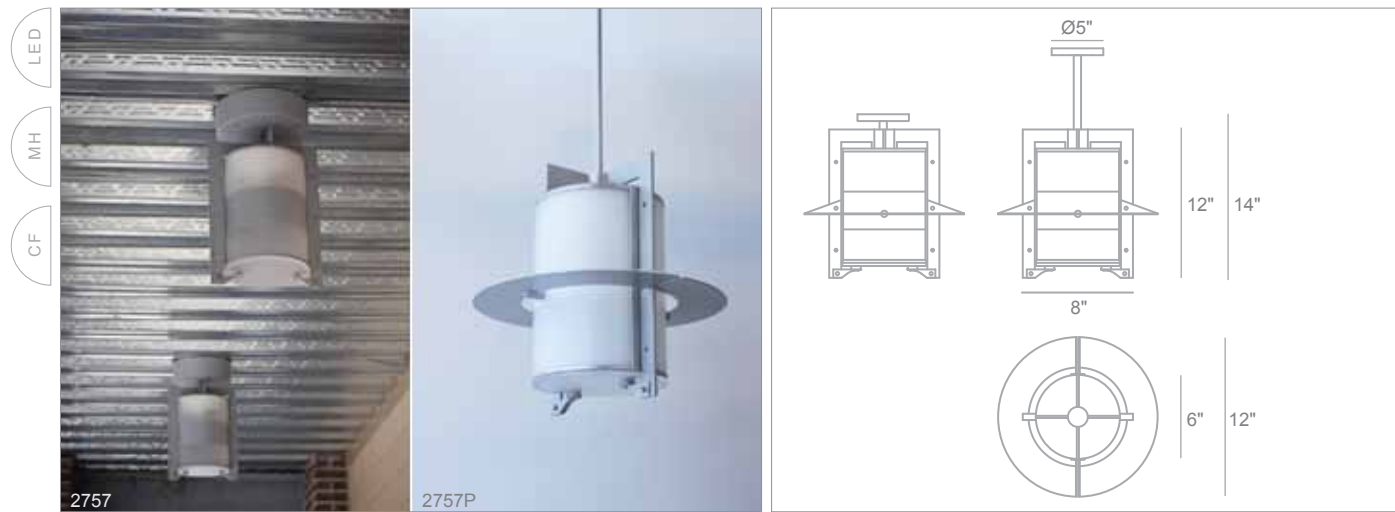
MATERIAL Aluminum support frame, pressure die cast aluminum lock up, die-formed aluminum glare guard, canopy and reflector disk with thermo-formed acrylic diffusers, acrylic bottom lens and stainless steel fasteners.

MOUNTING Pendant or ceiling mount. Remote mounted ballast standard with integral ballast canopy offered as optional.

PROTECTION Listed for use in dry or damp locations to UL and CSA Standards.

MODEL	SOURCE	VOLT	SHIELD	DIFFUSER	BALLAST LOCATION	OPTIONS	COLOR
2756	60L LED	120	GG ³ glare guard	RF frost	REM remote ballast/driver	F fusing	8 standard powder paints, RAL and custom available
2756P	200H MH	208	PF perforated liner	CL clear	INT integral ballast/driver	P("_)" ¹ pendant length	
	150H MH	240				C86 45° ball aligner hanger	
	100H MH	277				WL wet location listing	
	70H MH	347+				DIM ² dimming driver	
	170T CF						
	157T CF						
	142T CF						
	132T CF						

¹2756P only ²LED units only ³Excluding LED +Consult factory for LED



Orchestra Circle Mini Pendant / Ceiling Mount INTERIOR

FAMILY CONCEPT The Orchestra Circle family was designed to simplify the coordination and specification of architectural lighting. The Orchestra Circle ceiling / pendant is a mini scale, interior luminaire that features a unique three position, field adjustable reflector disk.

MATERIAL Aluminum support frame, pressure die cast aluminum lock up, die-formed aluminum glare guard, canopy and reflector disk with thermo-formed acrylic diffusers, acrylic lens and stainless steel fasteners.

MOUNTING Pendant or ceiling mount. Remote mounted ballast is standard with integral ballast offered as optional.

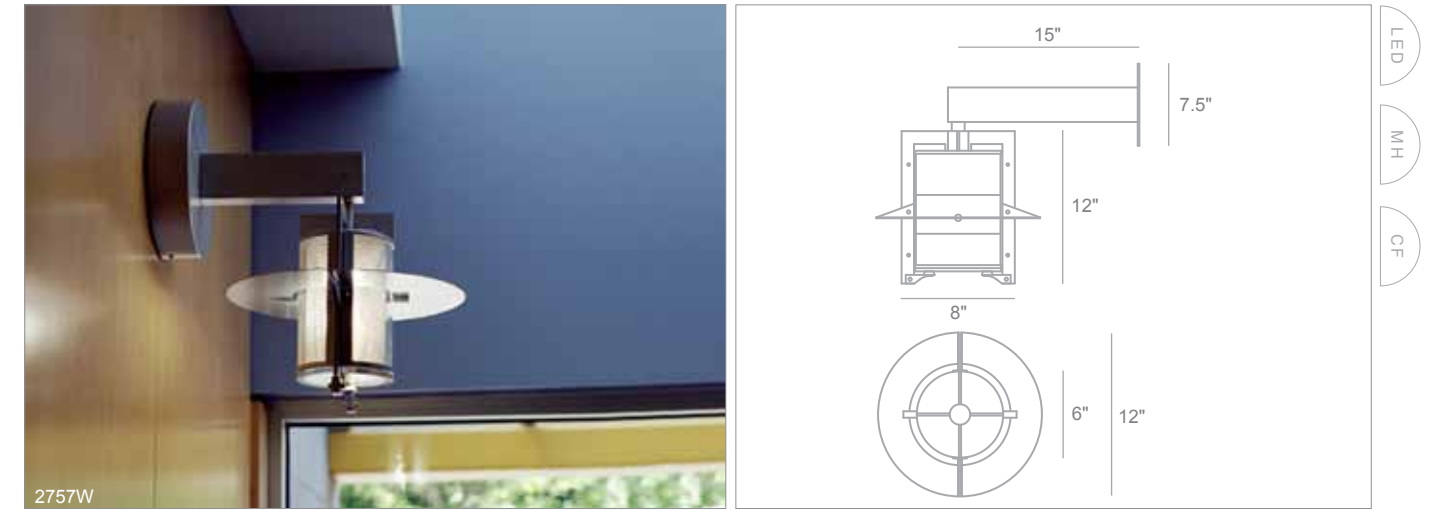
PROTECTION Listed for use in dry or damp locations to UL and CSA Standards.

MODEL	SOURCE	VOLT	SHIELD	DIFFUSER	BALLAST LOCATION	OPTIONS	COLOR
2757	20L LED	120	GG ³ glare guard	RF frost	REM remote	F fusing	8 standard powder paints, RAL and custom available
2757P	70H ¹ MH	208	PF perforated liner	CL clear	ballast/driver	P("_)" ¹ pendant length	
	50H MH	240			integral	C86 45° ball aligner	
	142T CF	277			ballast/driver	hanger	
	132T CF	347+				WL wet location listing	
						DIM ² dimming driver	

¹2757P only ²LED units only ³Excluding LED

⁺Consult factory for LED

Refer to specification pages online for further technical details and current LED information.



Orchestra Circle Mini Wall Arm Mount INTERIOR

FAMILY CONCEPT The Orchestra Circle family was designed to simplify the coordination and specification of architectural lighting. The Orchestra Circle wall arm is a mini scale, interior luminaire that features a unique three position, field adjustable reflector disk.

MATERIAL Aluminum support frame, extruded aluminum arm, pressure die cast aluminum hinge/lock up, die-formed aluminum reflector disk, glare guard and wall canopy, thermo-formed acrylic diffuser and lens with stainless steel fasteners.

MOUNTING Adequate wall backing strength is required to support fixture. Integral ballast option adds to canopy depth in HID units.

PROTECTION Listed for use in dry or damp locations to UL and CSA Standards.

MODEL	SOURCE	VOLT	SHIELD	DIFFUSER	BALLAST LOCATION	OPTIONS	COLOR
2757W	20L LED	120	GG ³ glare guard	RF frost	REM ¹ remote ballast	F fusing	8 standard powder paints, RAL and custom available
	70H ¹ MH	208	PF perforated liner	CL clear	INT integral ballast	WL wet location listing	
	50H MH	240				DIM ² dimming driver	
	142T CF	277					
	132T CF	347+					

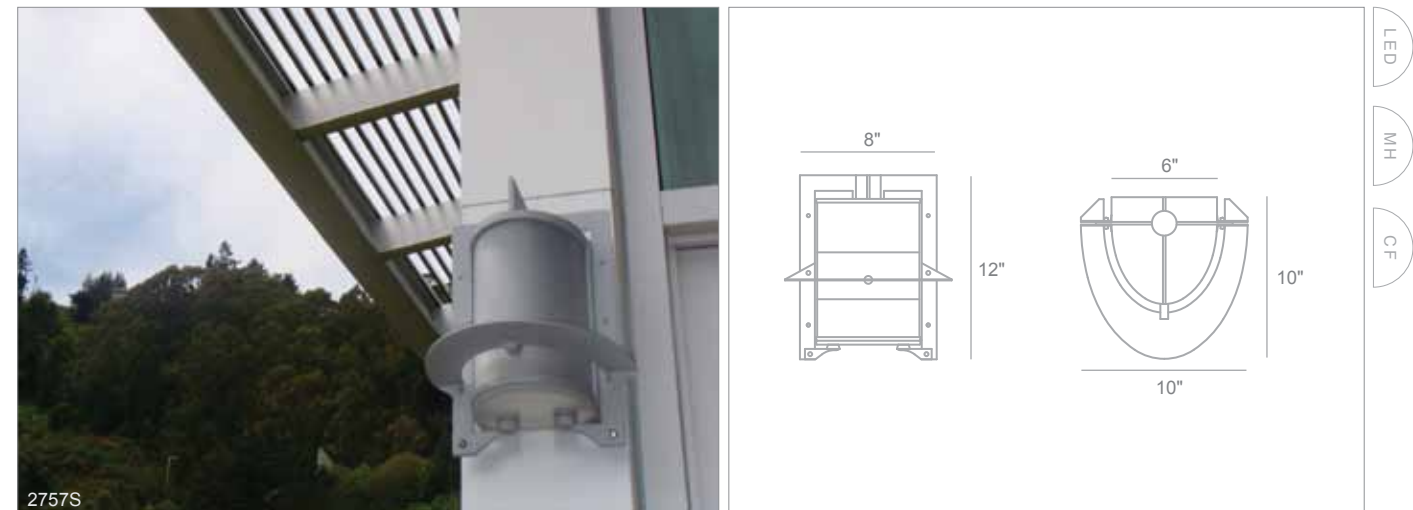
¹HID units only ²LED units only ³Excluding LED

⁺Consult factory for LED

Refer to specification pages online for further technical details and current LED information.



Orchestra Circle Mini 2757S



Orchestra Circle Mini Wall Sconce

INTERIOR/EXTERIOR

FAMILY CONCEPT The Orchestra Circle family was designed to simplify the coordination and specification of architectural lighting. The Orchestra Circle sconce is a mini scale, interior/exterior luminaire that features a unique three position, field adjustable reflector disk.

MATERIAL Aluminum support frame, pressure die cast aluminum lock up, die-formed aluminum glare guard, canopy and reflector disk with thermo-formed acrylic diffusers, acrylic lens and stainless steel fasteners.

MOUNTING Luminaire hooks on to mounting plate and is secured with two set screws.

PROTECTION Listed for use in dry or damp locations to UL and CSA Standards. Wet location listing optional.

MODEL	SOURCE	VOLT	SHIELD	DIFFUSER	OPTIONS	COLOR
2757S	7L	LED	120	GG ² glare guard	RF frost	F fusing
	50H	MH	208	PF perforated liner	CL clear	WL wet location listing
	142T	CF	240			DIM ¹ dimming driver
	132T	CF	277			
		347+				8 standard powder paints, RAL and custom available

¹LED units only ²Excluding LED

⁺Consult factory for LED

Refer to specification pages online for further technical details and current LED information.



Orchestra Circle Mini Linear Wall Sconce INTERIOR/EXTERIOR

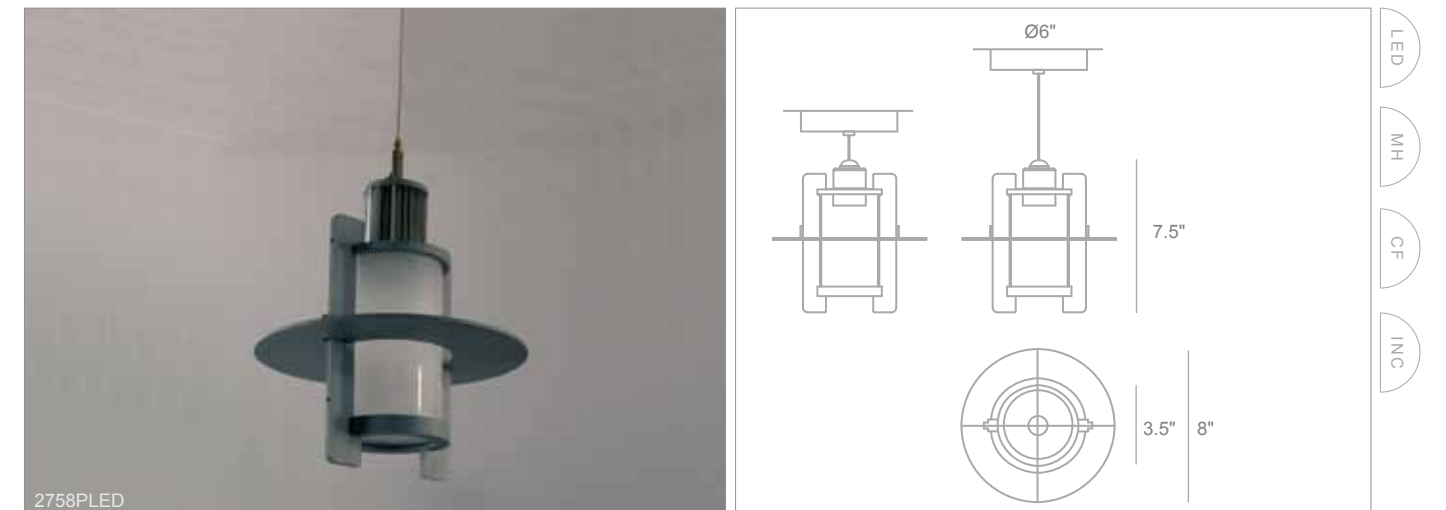
FAMILY CONCEPT The Orchestra Circle family was designed to simplify the coordination and specification of architectural lighting. The Orchestra Circle linear wall sconce is a mini scale, interior/exterior luminaire that features a unique three position, field adjustable reflector disk.

MATERIAL Aluminum support frame, pressure die cast aluminum lock up, die-formed aluminum, canopy and reflector disk with thermo-formed acrylic diffusers, acrylic lens and stainless steel fasteners.

MOUNTING Luminaire hooks on to mounting plate and is secured with two set screws.

PROTECTION Listed for use in wet locations to UL and CSA Standards.

MODEL	SOURCE	VOLT	DIFFUSER	OPTIONS	COLOR
2757SL	2x36 CF	120 208 240 277 347	RF frost	F fusing PF perforated liner	8 standard powder paints, RAL and custom available



Orchestra Circle Micro Pendant / Ceiling Mount INTERIOR

FAMILY CONCEPT The Orchestra Circle family was designed to simplify the coordination and specification of architectural lighting. The Orchestra Circle ceiling / pendant is a micro scale, interior luminaire designed to coordinate with larger scale Orchestra designs.

MATERIAL Machined aluminum top and bottom, heavy aluminum sheet vertical struts and reflector disk, borosilicate glass cylinder, soda lime bottom lens.

MOUNTING Pendant or ceiling mount. Suspension by cord or, optionally, by a rigid stem. Integral or remote ballast. 8' cord.

PROTECTION Listed for use in dry or damp locations to UL and CSA Standards.

MODEL	SOURCE	VOLT	REFLECTOR	DIFFUSER	CABLE COLOR	OPTIONS	COLOR
2758	10L LED	120	M middle	RF frost	WC ¹ white cabtire	TA track adaptor	8 standard powder
2758P	20H MH	208	T top	CL clear	BC ¹ black cabtire	REM ¹ remote ballast	paints,
	13T CF	240		PG patterned glass		LP lamp included	RAL and custom
	60W INC	277				P(LEN) ³ rigid stem with hangstraight	available
		347+				C(LEN) cord longer than 8'	
						DIM ² dimming driver	
						27 ² 2700K	
						30 ² 3000K	
						35 ² 3500K	
						40 ² 4000K	

¹Max 8' lamp to ballast ²LED units only ³Excluding LED

+Consult factory for LED

Refer to specification pages online for further technical details.

Refer to specification pages online for further technical details and current LED information.



Orchestra Ellipse

Distinctive Elliptical Appearance

The Orchestra Ellipse family of architectural luminaires is designed to simplify the coordination and specification of lighting. While maintaining a cohesive image and style, the Orchestra Ellipse family provides lighting solutions for the exterior and interior of a building project by offering a variety

of scales, lamp sources and mounting configurations to suit every condition of a building. Optic systems include perforated metal shield, glare band, clear or frosted lens and a unique three position, field adjustable reflector disk.

2810P
Maxi Pendant

Dekker Center, North Battleford, SK



2810P
Maxi Pendant



2810W
Maxi Wall Arm



2810A
Maxi Post Arm

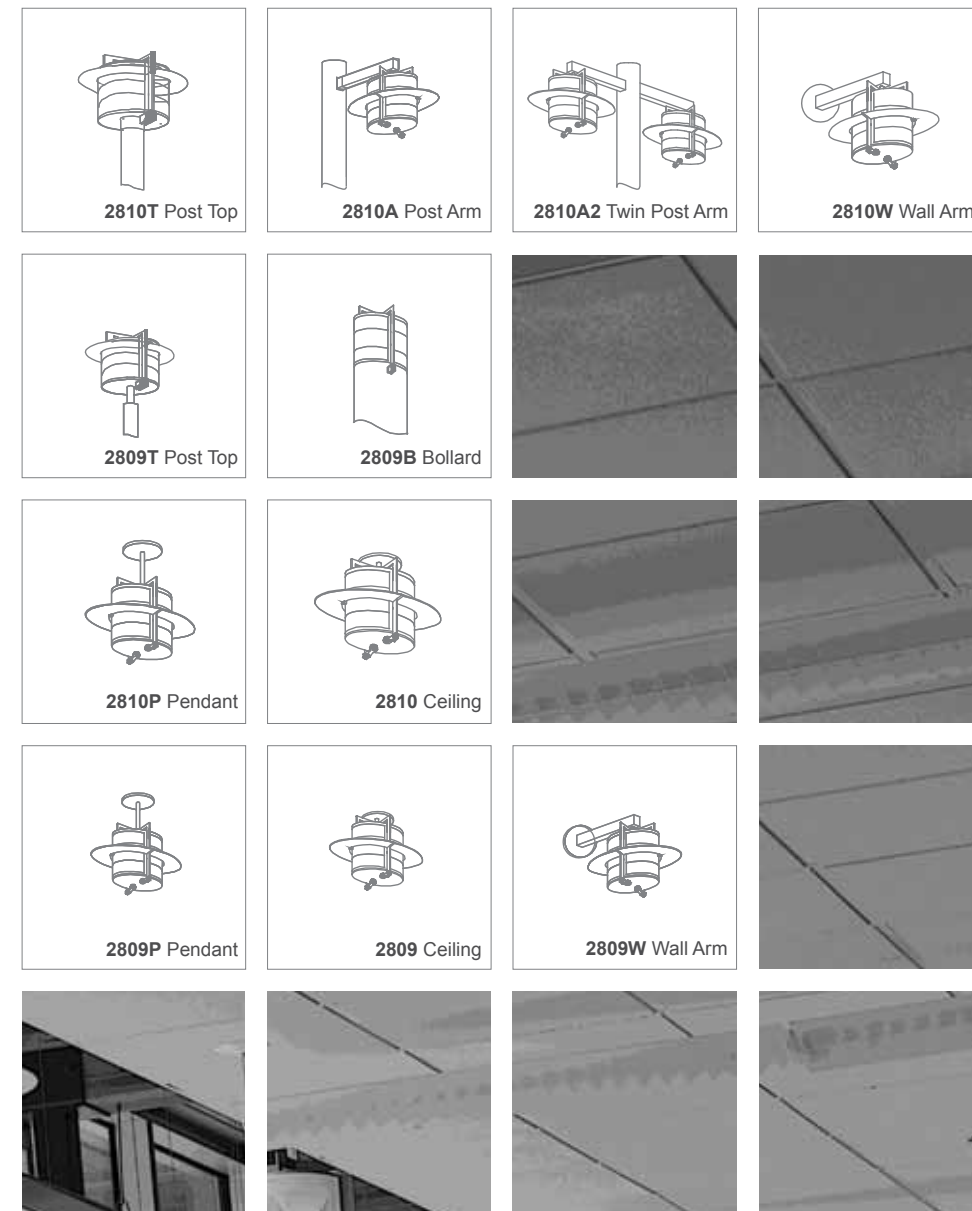


2809B
Maxi Bollard

Khorana Park, UBC, Vancouver, BC



Dekker Center | Orchestra Ellipse Maxi 2810P



Orchestra Ellipse



Orchestra Ellipse Maxi Streetscape Post Top EXTERIOR

FAMILY CONCEPT The Orchestra Ellipse family line of luminaires is designed to simplify the specification of lighting. The Orchestra Ellipse post top luminaire is a maxi scale, exterior luminaire that features a three position, field adjustable reflector disk.

MATERIAL Aluminum support frame, pressure die cast aluminum lock up, die-formed aluminum glare guard, reflector disk with thermo-formed acrylic diffusers, acrylic lens and stainless steel fasteners.

MOUNTING Post top mount. Slip fit pole top tenon. Stainless steel set screws lock ballast compartment to pole or tenon.

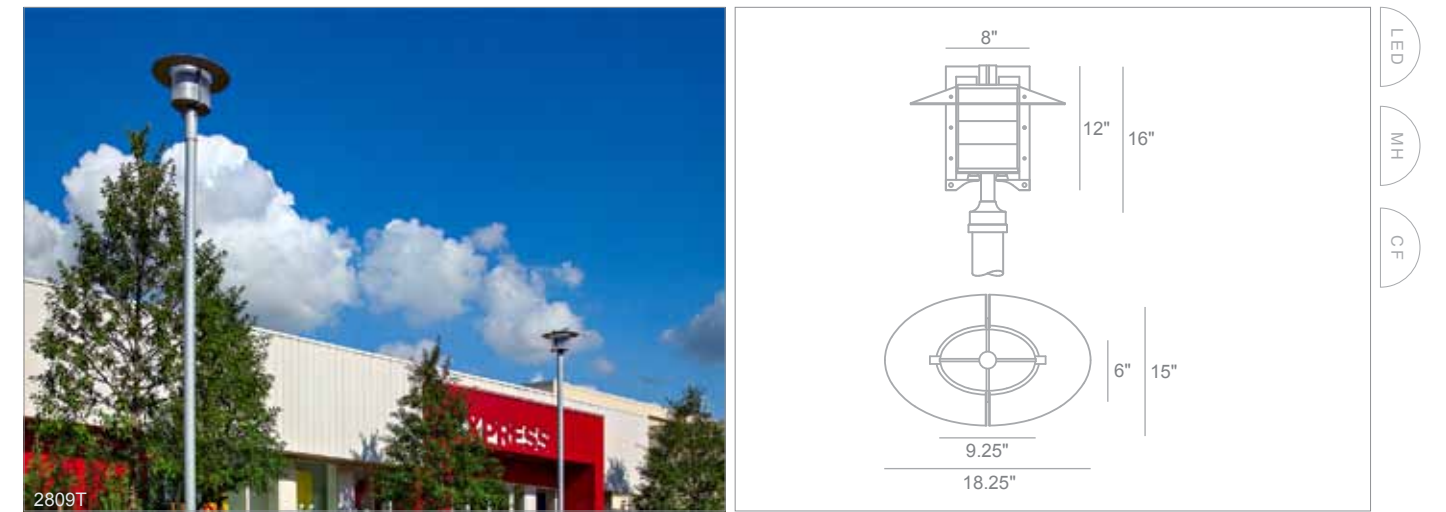
PROTECTION Listed for use in wet locations to UL and CSA Standards. Windloading EPA = 1.48 sq. ft.

MODEL	SOURCE	VOLT	SHIELD	DIFFUSER	REFRACTOR	OPTIONS	COLOR
2810T	60L	LED	120	GG ² glare guard	RF frost	T5 ² type V refractor	8 standard powder paints, RAL and custom available
	150H	MH	208	PF perforated liner	CL clear	T3 ² type III refractor	
	100H	MH	240			F ² fusing	
	70H	MH	277			DIM ¹ dimming driver	
			347+			T2 ¹ type II distribution	
						T3 ¹ type III distribution	
						T5 ¹ type V distribution	

²Excluding LED ¹LED units only

⁺Consult factory for LED

Refer to specification pages online for further technical details and current LED information.



Orchestra Ellipse Mini Landscape Post Top EXTERIOR

FAMILY CONCEPT The Orchestra Ellipse family line of luminaires is designed to simplify the specification of lighting. The Orchestra Ellipse post top luminaire is a mini scale, exterior luminaire that features a three position, field adjustable reflector disk.

MATERIAL Aluminum support frame, pressure die cast aluminum lock up, die-formed aluminum glare guard, reflector disk with thermo-formed acrylic diffusers, acrylic lens and stainless steel fasteners.

MOUNTING Post top mount. Slip fit pole top tenon. Stainless steel set screws lock ballast compartment to pole or tenon.

PROTECTION Listed for use in wet locations to UL and CSA Standards. Windloading EPA = 0.64 sq. ft.

MODEL	SOURCE	VOLT	SHIELD	DIFFUSER	OPTIONS	COLOR	
2809T	20L	LED	120	GG ² glare guard	RF frost	8 standard powder paints, RAL and custom available	
	50H	MH	208	PF perforated liner	CL clear		
	142T	CF	240				F ² fusing
	132T	CF	277				DIM ¹ dimming driver
			347+				T2 ¹ type II distribution
						T3 ¹ type III distribution	
						T5 ¹ type V distribution	

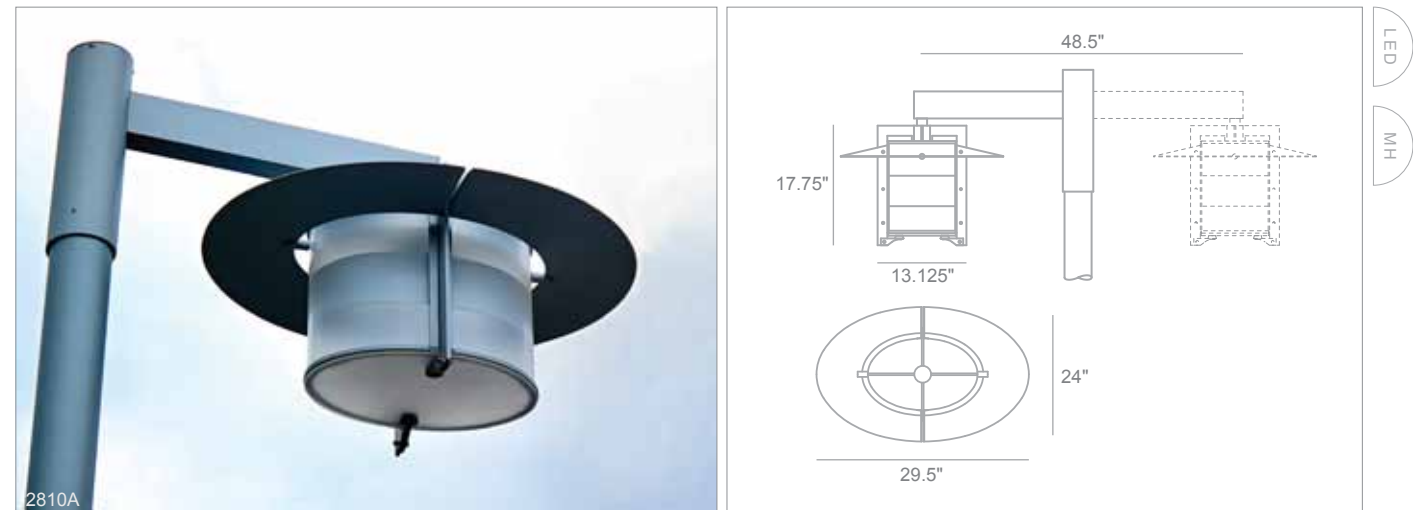
¹LED units only ²Excluding LED

⁺Consult factory for LED

Refer to specification pages online for further technical details and current LED information.



Orchestra Ellipse Maxi 2810A



Orchestra Ellipse Maxi Streetscape Post Arm EXTERIOR

FAMILY CONCEPT The Orchestra Ellipse family line of luminaires is designed to simplify the specification of lighting. The Orchestra Ellipse post arm luminaire is a maxi scale, exterior luminaire that features a three position, field adjustable reflector disk.

MATERIAL Aluminum support frame, pressure die cast aluminum lock up, die-formed aluminum glare guard, reflector disk with thermo-formed acrylic diffusers, acrylic lens and stainless steel fasteners.

MOUNTING Post arm mount. Slip fit pole top tenon. Stainless steel set screws lock ballast compartment to pole or tenon.

PROTECTION Listed for use in wet locations to UL and CSA Standards.

MODEL	SOURCE	VOLT	SHIELD	DIFFUSER	OPTIONS	COLOR
2810A	60L LED	120	GG ² glare guard	RF frost	F ² fusing	8 standard powder paints, RAL and custom available
2810A2	200H MH	208	PF perforated liner	CL clear	DIM ¹ dimming driver	
	150H MH	240			T2 ¹ type II distribution	
	100H MH	277			T3 ¹ type III distribution	
	70H MH	347+			T5 ¹ type V distribution	

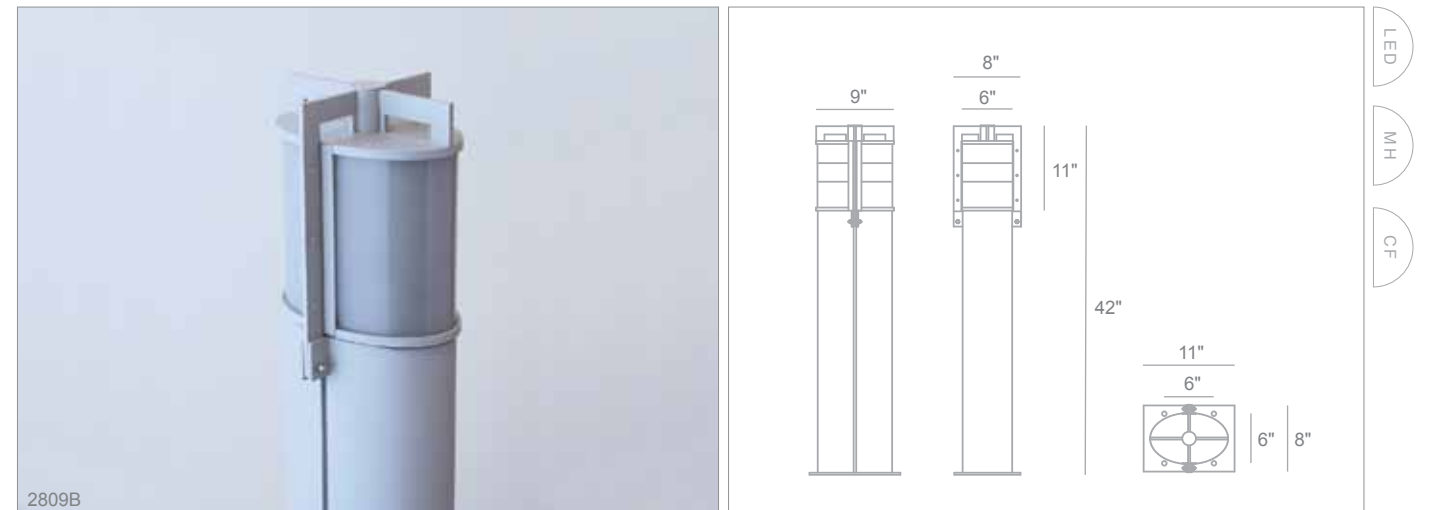
²Excluding LED ¹LED units only

⁺Consult factory for LED

Refer to specification pages online for further technical details and current LED information.



Orchestra Ellipse Mini 2809B



Orchestra Ellipse Mini Landscape Bollard

EXTERIOR

FAMILY CONCEPT The Orchestra Ellipse family line of luminaires is designed to simplify the specification of lighting. The Orchestra Ellipse bollard luminaire is a mini scale, exterior luminaire that features an optional clear or frost diffuser, glare guard or perforated liner.

MATERIAL Aluminum frame, cast aluminum shaft, thermo-formed polycarbonate diffusers, die-formed aluminum internal reflector and glare guard with stainless steel fasteners and hot dipped, galvanized steel anchor bolts.

MOUNTING Mounts to concrete base (by others). Anchor bolts, template and hardware included. Rectangle base cover optional.

PROTECTION Listed for use in wet locations to UL and CSA Standards.

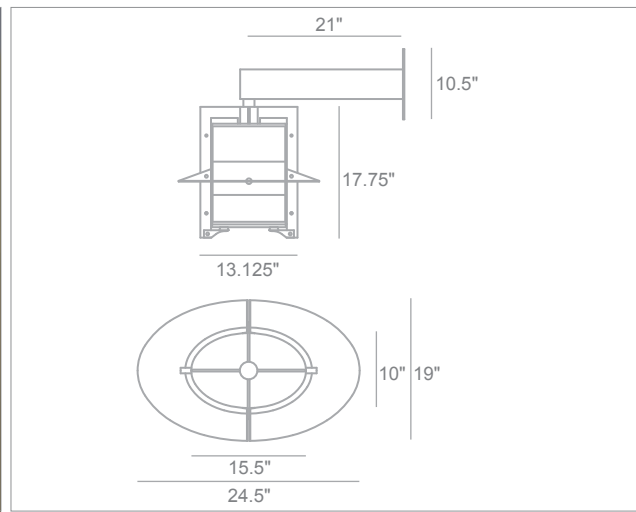
MODEL	SOURCE	VOLT	SHIELD	DIFFUSER	OPTIONS	COLOR
2809B	20L	LED	120	GG ² glare guard	RF frost	8 standard powder paints, RAL and custom available
	70H	MH	208	PF perforated liner	CL clear	
	50H	MH	240			
	142T	CF	277			
	132T	CF	347+			
					F ¹ fusing RD reflector disk BCS base cover - rectangle DIM ¹ dimming driver T2 ¹ type II distribution T3 ¹ type III distribution T5 ¹ type V distribution	

¹LED units only ²Excluding LED

+Consult factory for LED

Refer to specification pages online for further technical details and current LED information.

LED
MH
CF



Orchestra Ellipse Maxi Wall Arm Mount EXTERIOR

FAMILY CONCEPT The Orchestra Ellipse family line of luminaires is designed to simplify the specification of lighting. The Orchestra Ellipse wall arm luminaire is a maxi scale, exterior luminaire that features a three position, field adjustable reflector disk.

MATERIAL Aluminum support frame, pressure die cast aluminum lock up, die-formed aluminum glare guard, canopy and reflector disk with thermo-formed acrylic diffusers, acrylic lens and stainless steel fasteners.

MOUNTING Adequate wall backing strength is required to support fixture. Optional integral ballast adds to canopy depth in HID units.

PROTECTION Listed for use in wet locations to UL and CSA Standards.

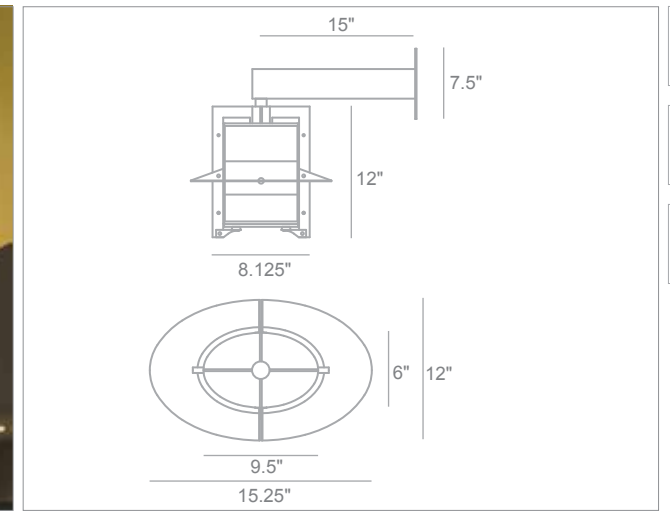
MODEL	SOURCE	VOLT	SHIELD	DIFFUSER	OPTIONS	BALLAST LOCATION	COLOR
2810W	60L LED 200H MH 150H MH 100H MH 70H MH 170T CF 157T CF 142T CF 132T CF	120 208 240 277 347+	GG ³ glare guard PF perforated liner	RF frost CL clear	F ³ fusing DIM ² dimming driver T2 ² type II distribution T3 ² type III distribution T5 ² type V distribution	REM ¹ remote ballast INT integral ballast	8 standard powder paints, RAL and custom available

¹HID units only ²LED units only ³Excluding LED

+Consult factory for LED

Refer to specification pages online for further technical details and current LED information.

LED
MH
CF



Orchestra Ellipse Mini Wall Arm Mount INTERIOR

FAMILY CONCEPT The Orchestra Ellipse family line of luminaires is designed to simplify the specification of lighting. The Orchestra Ellipse wall arm luminaire is a mini scale, interior luminaire that features a three position, field adjustable reflector disk.

MATERIAL Aluminum support frame, pressure die cast aluminum lock up, die-formed aluminum glare guard, canopy and reflector disk with thermo-formed acrylic diffusers, acrylic lens and stainless steel fasteners.

MOUNTING Adequate wall backing strength is required to support fixture. Optional integral ballast adds to canopy depth in HID units.

PROTECTION Listed for use in dry or damp locations to UL and CSA Standards. Specify "WL" for wet location option.

MODEL	SOURCE	VOLT	SHIELD	DIFFUSER	OPTIONS	BALLAST LOCATION	COLOR
2809W	20L LED 70H MH 50H MH 142T CF 132T CF	120 208 240 277 347+	GG ³ glare guard PF perforated liner	RF frost CL clear	F fusing WL wet location listing DIM ² dimming driver	REM ¹ remote ballast INT integral ballast	8 standard powder paints, RAL and custom available

¹HID units only ²LED units only ³Excluding LED

+Consult factory for LED

Refer to specification pages online for further technical details and current LED information.



Orchestra Ellipse Maxi Ceiling/Pendant Mount INTERIOR

FAMILY CONCEPT The Orchestra Ellipse family line of luminaires is designed to simplify the specification of lighting. The Orchestra Ellipse ceiling and pendant mount luminaires are maxi scale, interior luminaires that feature a three position, field adjustable reflector disk.

MATERIAL Aluminum support frame, pressure die cast aluminum lock up, die-formed aluminum glare guard, canopy and reflector disk with thermo-formed acrylic diffusers, acrylic lens and stainless steel fasteners.

MOUNTING Pendant or ceiling mount. Remote mounted ballast is standard with integral ballast offered as optional.

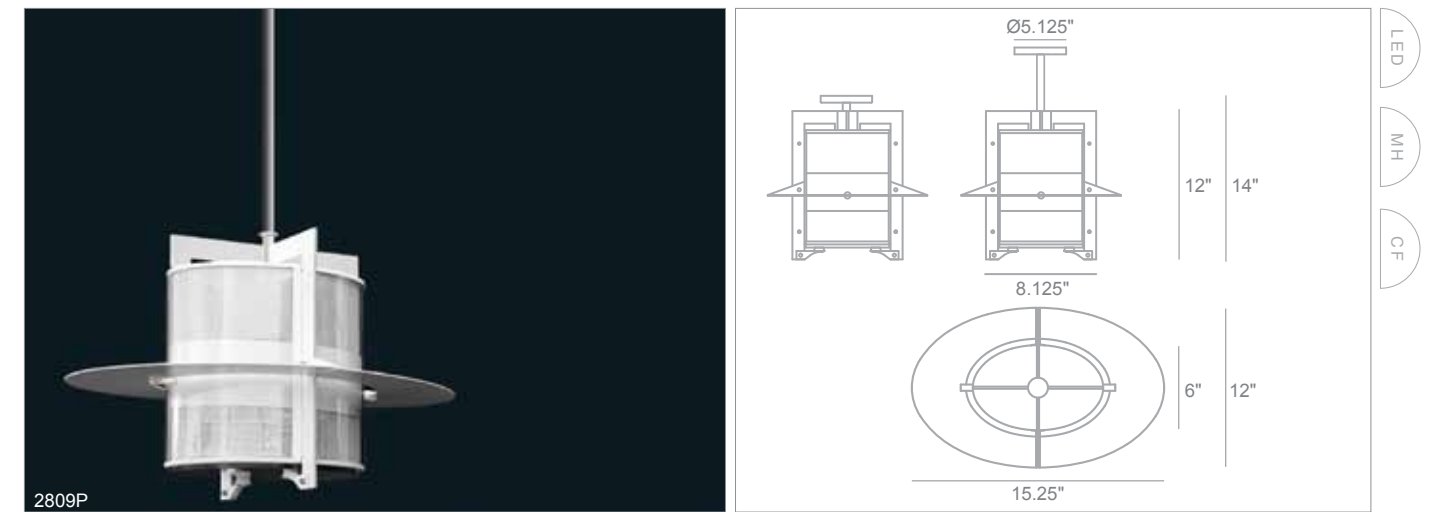
PROTECTION Listed for use in dry or damp locations to UL and CSA Standards. Specify "WL" for wet location option.

MODEL	SOURCE	VOLT	SHIELD	DIFFUSER	BALLAST LOCATION	OPTIONS	COLOR
2810	60L LED	120	GG ² glare guard	RF frost	REM remote ballast/driver	F ² fusing	8 standard powder paints, RAL and custom available
2810P	200H MH	208	PF perforated liner	CL clear	INT integral ballast/driver	P("_") pendant length	
	150H MH	240				C86 45° ball aligner hanger	
	100H MH	277				WL wet location listing	
	70H MH	347+				DIM ¹ dimming driver	
	170T CF						
	157T CF						
	142T CF						
	132T CF						

¹Excluding LED ²LED units only

³Consult factory for LED

Refer to specification pages online for further technical details and current LED information.



Orchestra Ellipse Mini Ceiling/Pendant Mount INTERIOR

FAMILY CONCEPT The Orchestra Ellipse family line of luminaires is designed to simplify the specification of lighting. The Orchestra Ellipse ceiling and pendant mount luminaires are mini scale, interior luminaires that feature a three position, field adjustable reflector disk.

MATERIAL Aluminum support frame, pressure die cast aluminum lock up, die-formed aluminum glare guard, canopy and reflector disk with thermo-formed acrylic diffusers, acrylic lens and stainless steel fasteners.

MOUNTING Pendant or ceiling mount. Remote mounted ballast is standard with integral ballast offered as optional.

PROTECTION Listed for use in dry or damp locations to UL and CSA Standards. Specify "WL" for wet location option.

MODEL	SOURCE	VOLT	SHIELD	DIFFUSER	BALLAST LOCATION	OPTIONS	COLOR
2809	20L LED	120	GG ³ glare guard	RF frost	REM remote ballast/driver	F ³ fusing	8 standard powder paints, RAL and custom available
2809P	70H ¹ MH	208	PF perforated liner	CL clear	INT integral ballast/driver	P("_") pendant length	
	50H MH	240				C86 45° ball aligner hanger	
	142T CF	277				WL wet location listing	
	132T CF	347+				DIM ² dimming driver	

¹2809P only ²LED units only ³Excluding LED

³Consult factory for LED

Refer to specification pages online for further technical details and current LED information.



Saturna

Dramatic Light Pattern

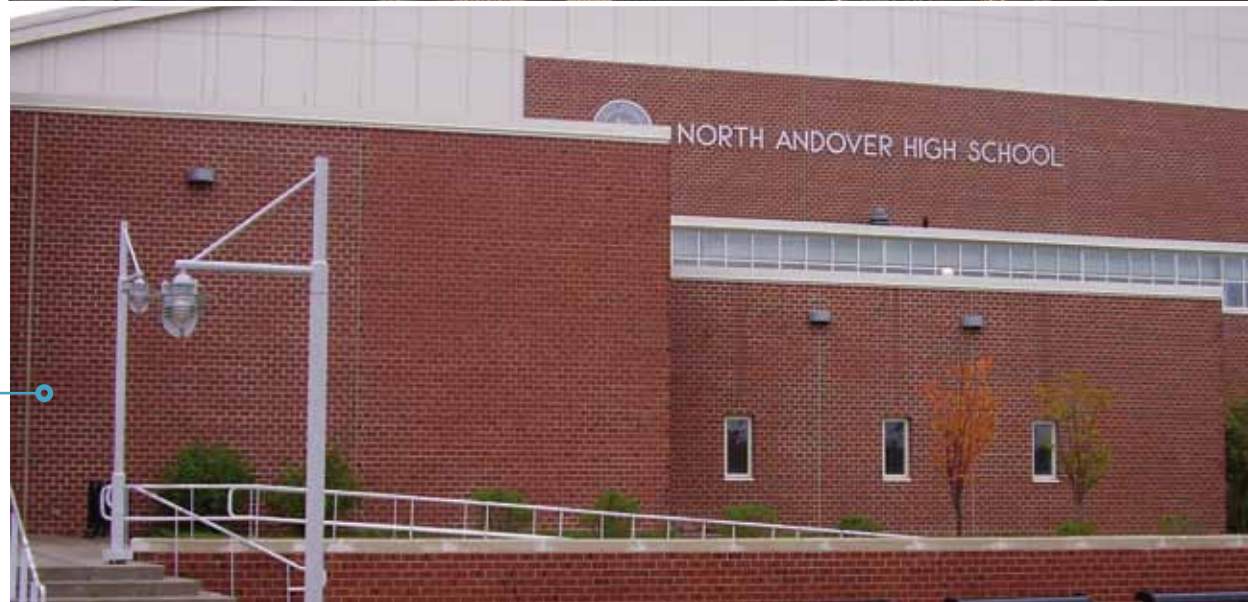
The Saturna family of architectural luminaires features clean, simple lines that form a classic shape to suit any architectural application. This family provides symmetrical illumination with a dramatic light pattern in multiple product

types and scales to suit every building condition. The light is directed downward by the reflector disk while three rings control glare. Prismatic or frosted lens can be specified.

4007
Maxi Post Arm



4007A
Maxi Post Arm



4005
Maxi Wall Arm

The Boathouse, Port Moody, BC



4009
Maxi Bollard

Waterfront Station, Vancouver, BC



4002
Mini Pendant Mount



4014
Mini Wall Arm

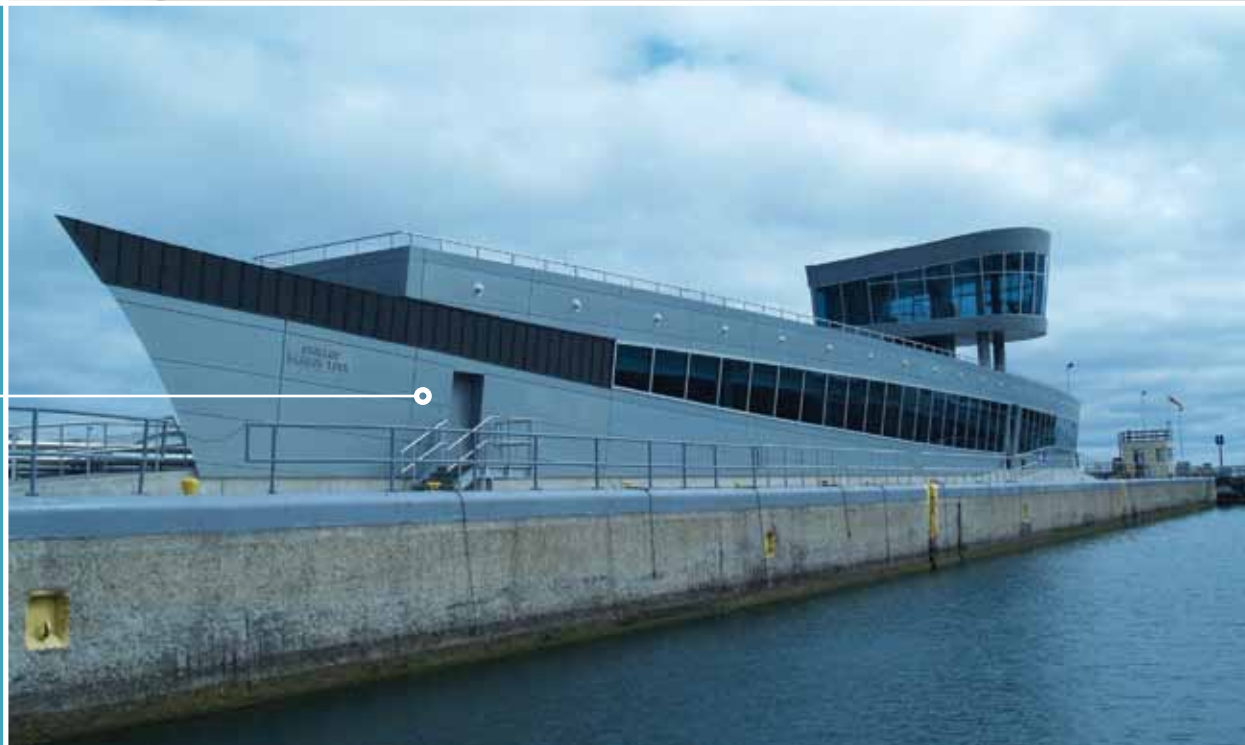


5009
Cross Guard



5009H
Hood Guard

Chicago Harbour Lock, Chicago, IL



5009
Cross Guard

Rockwall Harbour, Rockwall, TX



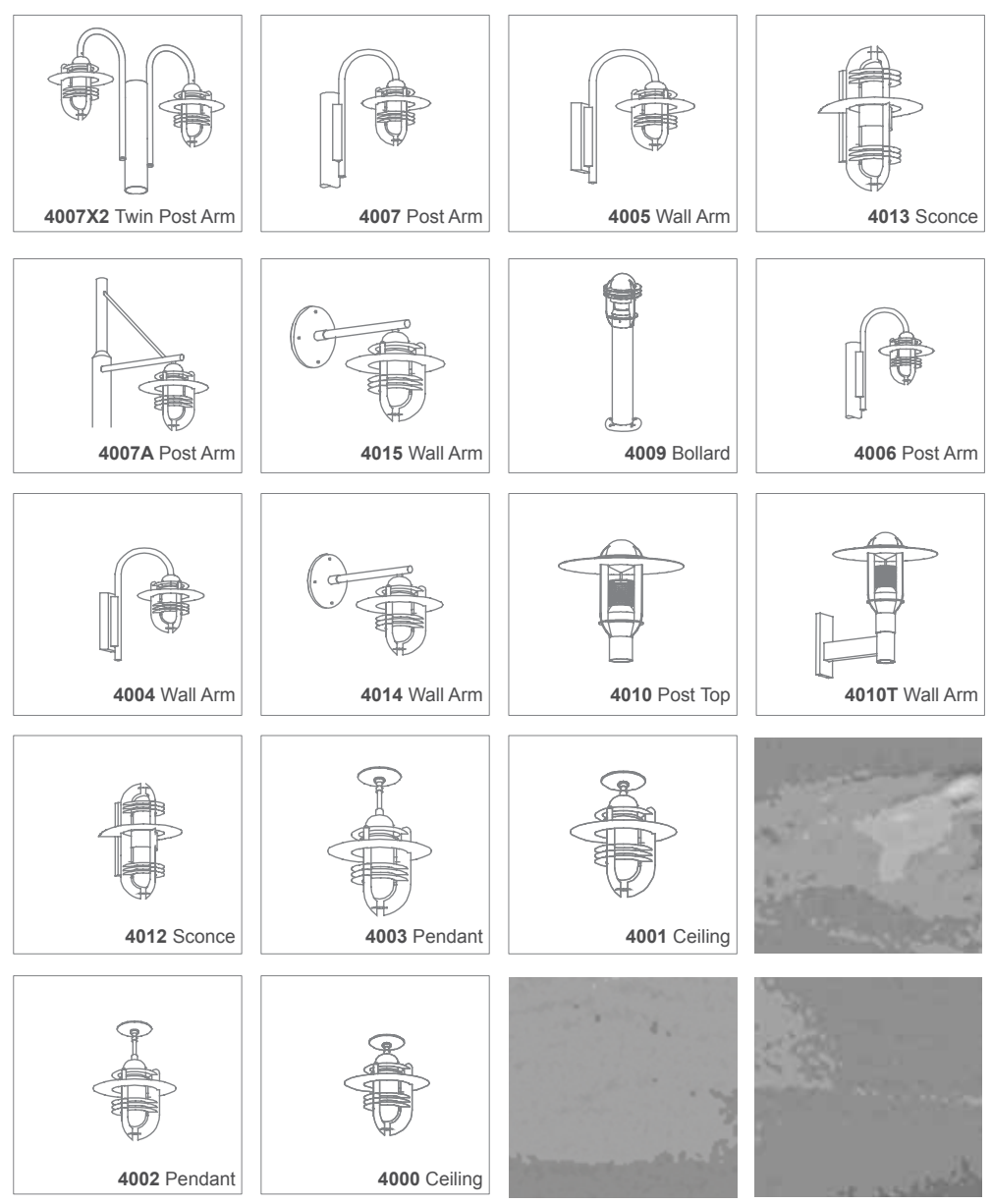
5008C
Cut Off Face



5008
Cross Guard



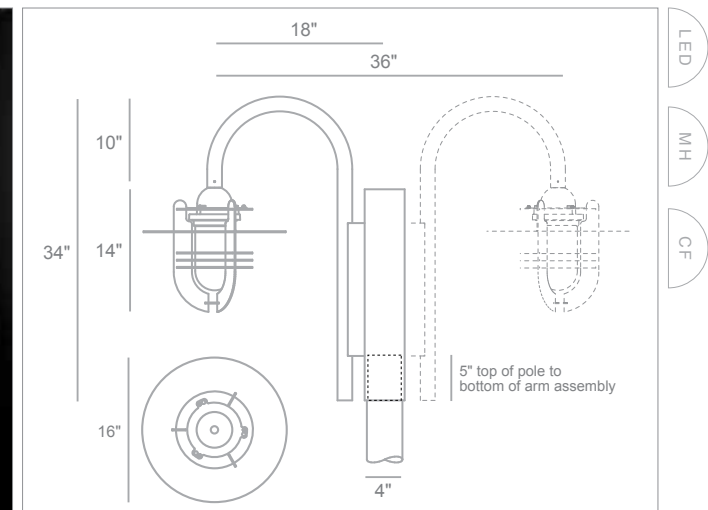
Seahawks Stadium | Saturna Maxi 4007



Saturna



Saturna Maxi 4007



Saturna Maxi Streetscape Shepherd's Hook Post Arm EXTERIOR

FAMILY CONCEPT The Saturna family line of luminaires features clean, simple lines that form a classic shape. The Saturna post arm luminaire is a maxi scale, exterior luminaire that provides symmetrical illumination with a dramatic light pattern.

MATERIAL Cast aluminum housing, aluminum, keyholed removable strut assembly, aluminum reflector disks and threaded, tempered lens with an aluminum shepherd's hook tube and a 4.5" post top fitter.

MOUNTING Post arm mount. Slip fit pole top tenon. Stainless steel set screws lock assembly to pole. Removable ballast tray.

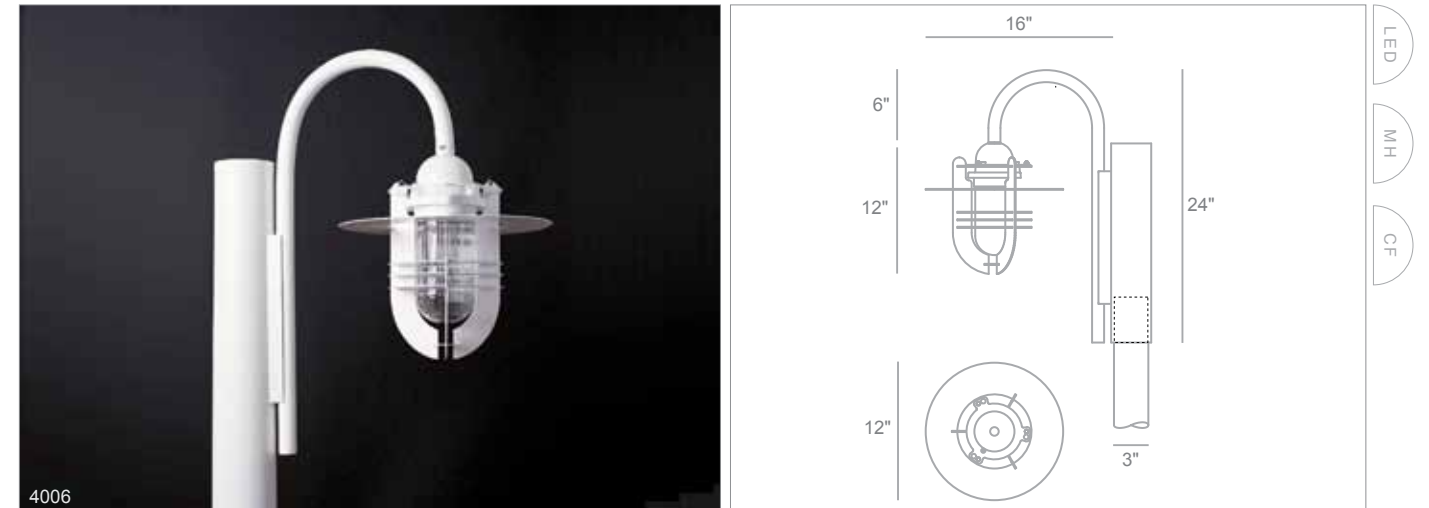
PROTECTION Listed for use in wet locations to UL and CSA Standards. Windloading EPA = Single 1.25 sq. ft | Double 2.5 sq. ft.

MODEL	SOURCE	VOLT	DIFFUSER	OPTIONS	COLOR
4007	22L LED	120	PR clear prismatic	41' 4100K	8 standard powder paints, RAL and custom available
4007X2	200H LED	208	RF frost		
	150H MH	240			
	100H MH	277			
	70H MH	347+			
	142T CF				

¹LED units only

+Consult factory for LED

Refer to specification pages online for further technical details and current LED information.



Saturna Maxi Shepherd's Hook Wall Arm

EXTERIOR

FAMILY CONCEPT The Saturna family line of luminaires features clean, simple lines that form a classic shape. The Saturna wall arm luminaire is a maxi scale, exterior luminaire that provides symmetrical illumination with a dramatic light pattern.

MATERIAL Cast aluminum housing, aluminum strut assembly and reflector disks with a threaded, tempered glass lens, aluminum arm and wall plate with stainless steel fasteners.

MOUNTING Wall Mount. Adequate wall backing strength required to support fixture.

PROTECTION Listed for use in wet locations to UL and CSA Standards.

MODEL	SOURCE	VOLT	DIFFUSER	OPTIONS	COLOR
4005	22L LED	120	PR clear prismatic	PC button type photocell	8 standard powder paints, RAL and custom available
	200H MH	208	RF frost	41 ¹ 4100K	
	150H MH	240			
	100H MH	277			
	70H MH	347+			
	142T CF				

Saturna Mini Shepherd's Hook Landscape Post Arm

EXTERIOR

FAMILY CONCEPT The Saturna family line of luminaires features clean, simple lines that form a classic shape. The Saturna post arm luminaire is a mini scale, exterior luminaire that provides symmetrical illumination with a dramatic light pattern.

MATERIAL Cast aluminum housing, aluminum, keyholed removable strut assembly, aluminum reflector disks and threaded, tempered glass lens with an aluminum shepherd's hook tube and a 3.5" post top fitter.

MOUNTING Post arm mount. Slip fit pole top tenon. Stainless steel set screws lock assembly to pole. Removable ballast tray.

PROTECTION Listed for use in wet locations to UL and CSA Standards.

MODEL	SOURCE	VOLT	DIFFUSER	OPTIONS	COLOR
4006	22L LED	120	PR clear prismatic	41 ² 4100K	8 standard powder paints, RAL and custom available
	50H ¹ MH	208	RF frost		
	142T CF	240			
	132T CF	277			
		347+			

¹LED units only

²Consult factory for LED

Refer to specification pages online for further technical details and current LED information.

¹Only available in 120V or 277V ²LED units only

²Consult factory for LED

Refer to specification pages online for further technical details and current LED information.



Saturna Mini Shepherd's Hook Wall Arm

EXTERIOR

FAMILY CONCEPT The Saturna family line of luminaires features clean, simple lines that form a classic shape. The Saturna wall arm luminaire is a mini scale, exterior luminaire that provides symmetrical illumination with a dramatic light pattern.

MATERIAL Cast aluminum housing, aluminum strut assembly and reflector disks with a threaded, tempered glass lens, aluminum arm and wall plate with stainless steel fasteners.

MOUNTING Wall mount. Adequate backing required to support fixture.

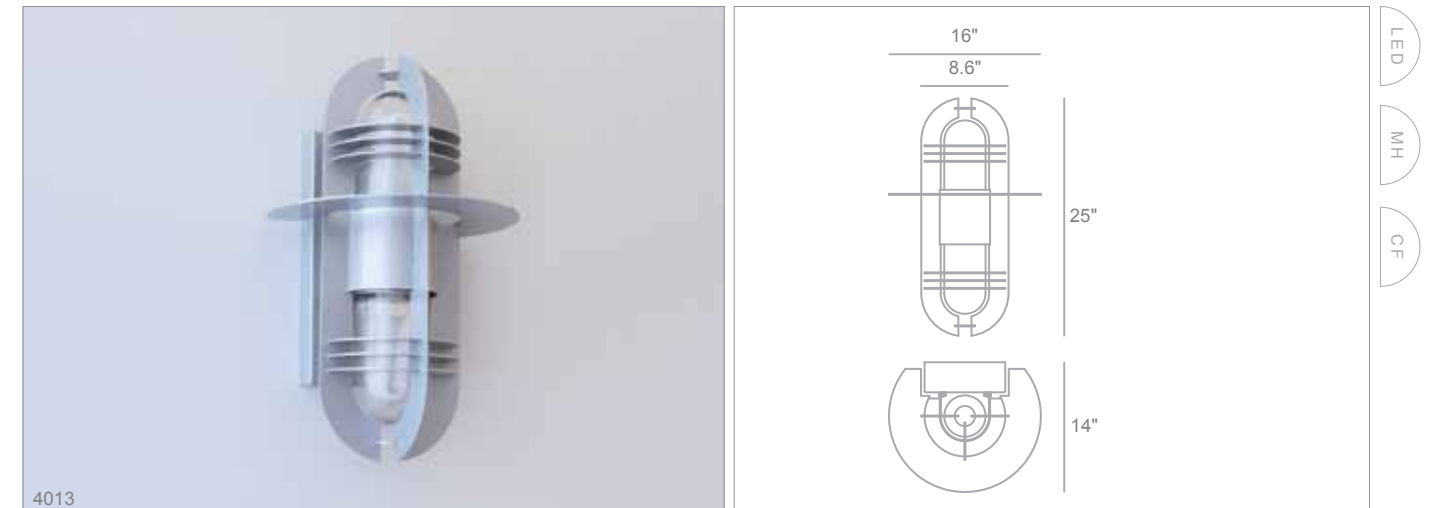
PROTECTION Listed for use in wet locations to UL and CSA Standards.

MODEL	SOURCE	VOLT	DIFFUSER	OPTIONS	COLOR
4004	22L LED	120	PR clear prismatic	PC button type photocell	8 standard powder paints, RAL and custom available
	50H MH	208	RF frost	REM ¹ remote ballast (347 volt HID)	
	142T CF	240			
	132T CF	277		41 ² 4100K	
		347+			

¹Excluding LED units ²LED units only

⁺Consult factory for LED

Refer to specification pages online for further technical details and current LED information.



Saturna Maxi Wall Back Mount Sconce

EXTERIOR

FAMILY CONCEPT The Saturna family line of luminaires features clean, simple lines that form a classic shape. The Saturna sconce luminaire is a maxi scale, exterior luminaire that provides symmetrical illumination with a dramatic light pattern.

MATERIAL Heavy gauge aluminum housing, aluminum strut assembly and reflector disks with a heavy gauge aluminum globe fitter, threaded, tempered glass lens and stainless steel fasteners.

MOUNTING Wall mount. Adequate backing required to support fixture.

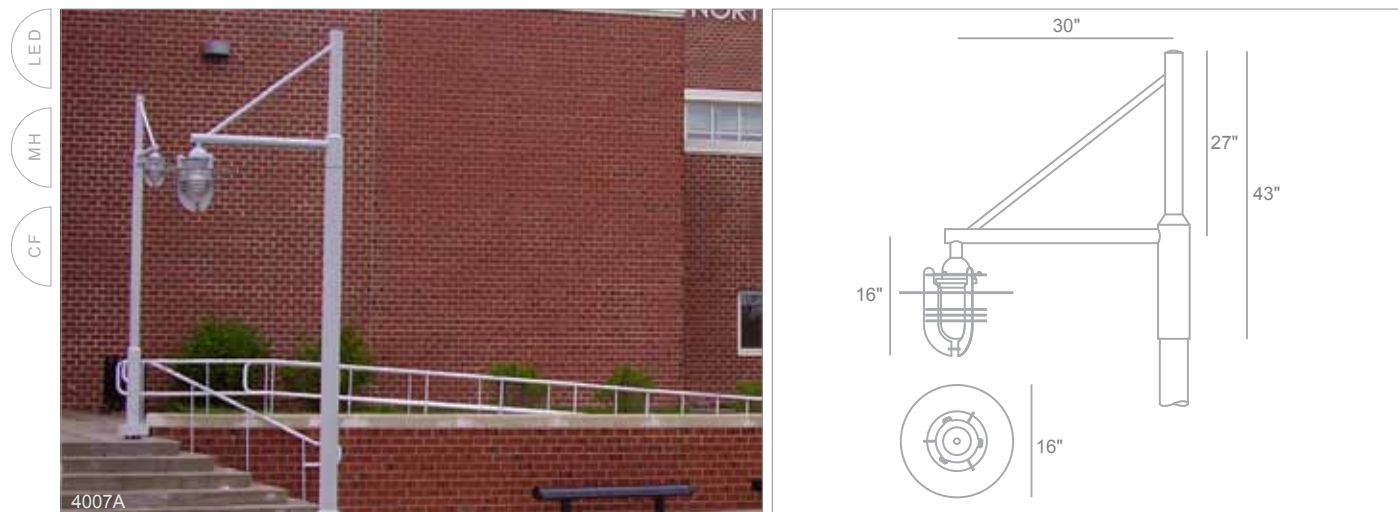
PROTECTION Listed for use in wet locations to UL and CSA Standards.

MODEL	SOURCE	VOLT	DIFFUSER	OPTIONS	COLOR
4013	2x22L LED	120	PR clear prismatic	PC button type photocell	8 standard powder paints, RAL and custom available
	2x150H MH	208	RF frost	41 ¹ 4100K	
	2x100H MH	240			
	2x70H MH	277			
	2x42T CF	347+			

¹LED units only

⁺Consult factory for LED

Refer to specification pages online for further technical details and current LED information.



Saturna Maxi Cantilevered Streetscape Post Arm EXTERIOR

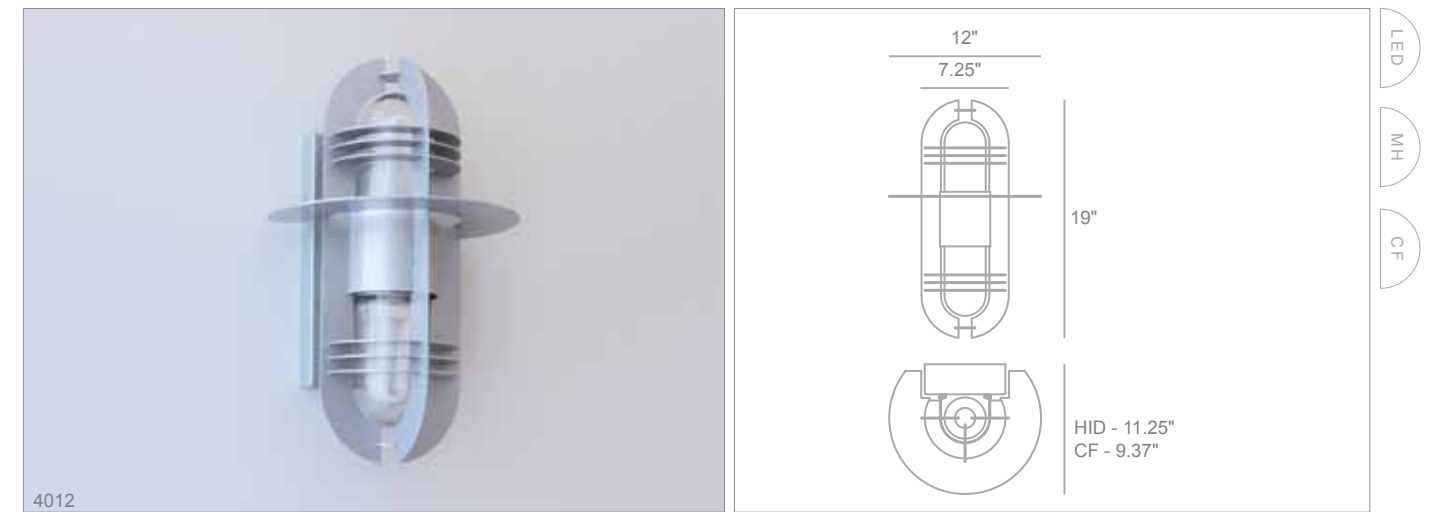
- FAMILY CONCEPT** The Saturna family line of luminaires features clean, simple lines that form a classic shape. The Saturna post arm luminaire is a maxi scale, exterior luminaire that provides symmetrical illumination with a dramatic light pattern.
- MATERIAL** Heavy aluminum tube ballast housing, arm and mast, aluminum strut assembly and reflector disks with a threaded, tempered glass lens.
- MOUNTING** Bottleneck pole with Ø3.5" by 4.5" tall tenon. Stainless steel set screws lock assembly to pole. Ballast in base.
- PROTECTION** Listed for use in wet locations to UL and CSA Standards. Windloading EPA = 1.63 sq. ft.

MODEL	SOURCE	VOLT	DIFFUSER	OPTIONS	COLOR
4007A	22L LED	120	PR clear prismatic	FS fusing	8 standard powder paints, RAL and custom available
	200H MH	208	RF frost	41' 4100K	
	150H MH	240			
	100H MH	277			
	70H MH	347+			
	142T CF				

¹LED units only

⁺Consult factory for LED

Refer to specification pages online for further technical details and current LED information.



Saturna Mini Wall Back Mount Sconce EXTERIOR

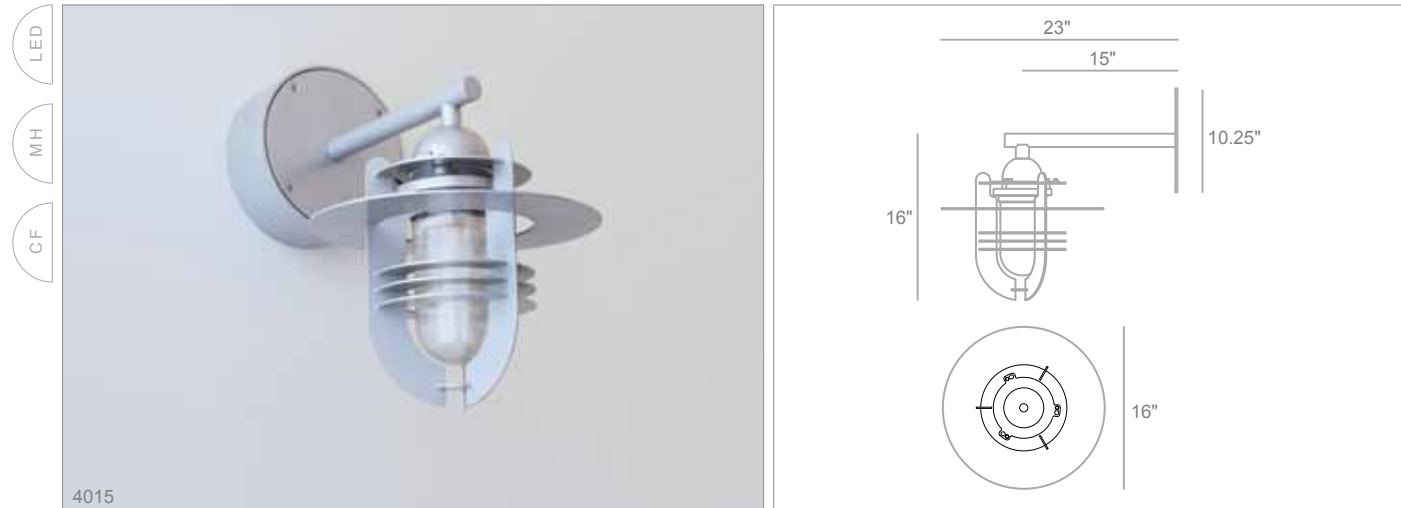
- FAMILY CONCEPT** The Saturna family line of luminaires features clean, simple lines that form a classic shape. The Saturna sconce luminaire is a mini scale, exterior luminaire that provides symmetrical illumination with a dramatic light pattern.
- MATERIAL** Heavy gauge aluminum housing with lampholder, aluminum strut assembly and reflector disks with a heavy gauge aluminum globe fitter, threaded, tempered glass lens and stainless steel fasteners.
- MOUNTING** Wall mount. Adequate backing required to support fixture.
- PROTECTION** Listed for use in wet locations to UL and CSA Standards.

MODEL	SOURCE	VOLT	DIFFUSER	OPTIONS	COLOR
4012	2x22L LED	120	PR clear prismatic	PC button type photocell	8 standard powder paints, RAL and custom available
	2x50H MH	208	RF frost	41' 4100K	
	2x32T CF	240			
		277			
		347+			

¹LED units only

⁺Consult factory for LED

Refer to specification pages online for further technical details and current LED information.



Saturna Maxi Wall Arm Mount

EXTERIOR

FAMILY CONCEPT The Saturna family line of luminaires features clean, simple lines that form a classic shape. The Saturna wall arm luminaire is a maxi scale, exterior luminaire that provides symmetrical illumination with a dramatic light pattern.

MATERIAL Cast aluminum housing, aluminum strut assembly and reflector disks with a threaded, tempered glass lens, extruded aluminum arm, aluminum wall plate and stainless steel fasteners.

MOUNTING Wall mount. Adequate backing required to support fixture. Remote ballast standard.

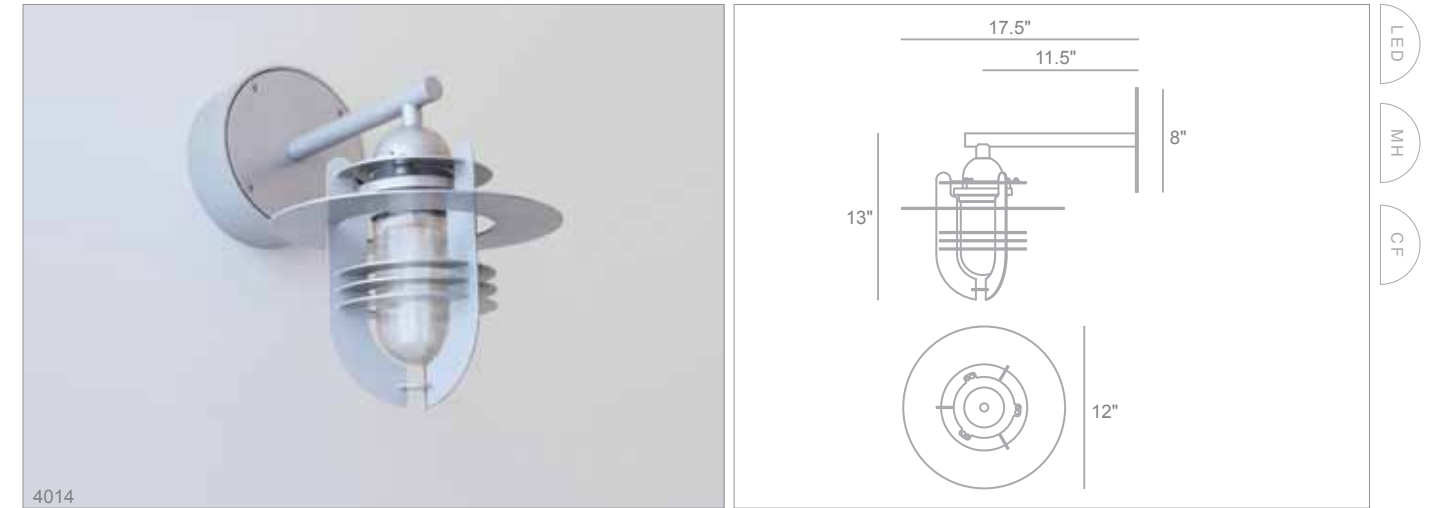
PROTECTION Listed for use in wet locations to UL and CSA Standards.

MODEL	SOURCE	VOLT	DIFFUSER	BALLAST/DRIVER LOCATION	OPTIONS	COLOR
4015	22L LED	120	PR clear prismatic	REM remote ballast	41' 4100K	8 standard powder paints, RAL and custom available
	200H MH	208	RF frost	INT integral ballast		
	150H MH	240				
	100H MH	277				
	70H MH	347+				
	142T CF					

¹LED units only

+Consult factory for LED

Refer to specification pages online for further technical details and current LED information.



Saturna Mini Wall Arm Mount

EXTERIOR

FAMILY CONCEPT The Saturna family line of luminaires features clean, simple lines that form a classic shape. The Saturna wall arm luminaire is a mini scale, exterior luminaire that provides symmetrical illumination with a dramatic light pattern.

MATERIAL Cast aluminum housing, aluminum strut assembly and reflector disks with a threaded, tempered glass lens, extruded aluminum arm, aluminum wall plate and stainless steel fasteners.

MOUNTING Wall mount. Adequate backing required to support fixture. Remote ballast standard.

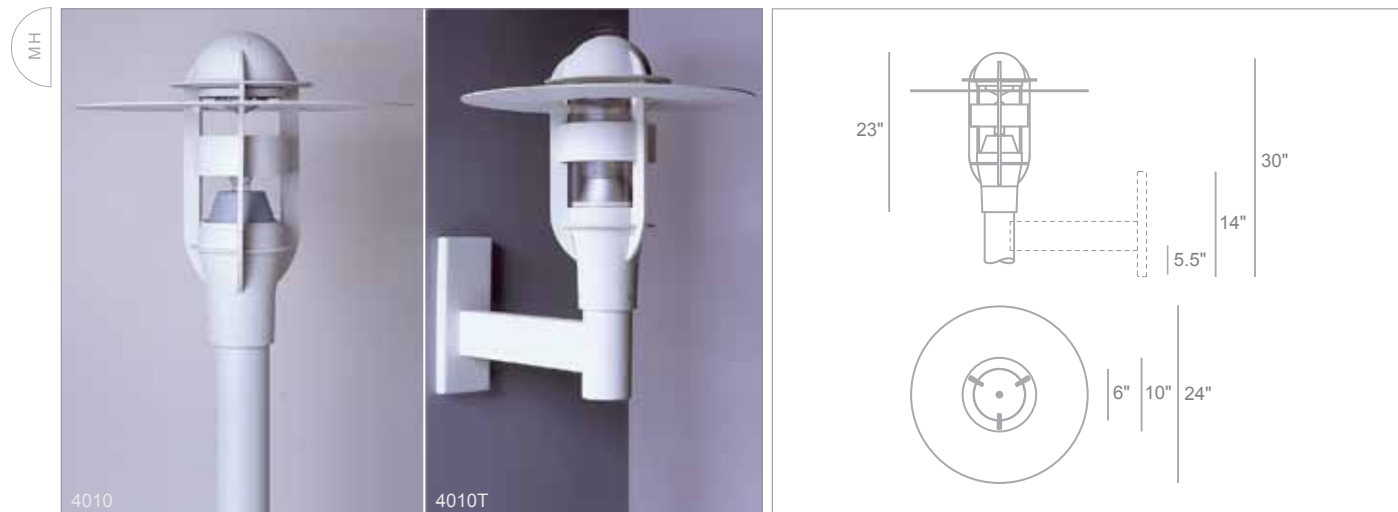
PROTECTION Listed for use in wet locations to UL and CSA Standards.

MODEL	SOURCE	VOLT	DIFFUSER	BALLAST/DRIVER LOCATION	OPTIONS	COLOR
4014	22L LED	120	PR clear prismatic	REM remote ballast	FS fusing	8 standard powder paints, RAL and custom available
	50H MH	208	RF frost	INT integral ballast	41' 4100K	
	142T CF	240				
	132T CF	277				
		347+				

¹LED units only

+Consult factory for LED

Refer to specification pages online for further technical details and current LED information.



Saturna Mini Landscape Post Top | Wall Arm

EXTERIOR

FAMILY CONCEPT The Saturna family line of luminaires features clean, simple lines that form a classic shape. The Saturna post top luminaires are mini scale, exterior luminaires that provide symmetrical illumination with a dramatic light pattern.

MATERIAL Cast aluminum pole fitter and top cap, heavy aluminum reflector disk and vertical ribs, specular aluminum reflector and clear polycarbonate lens.

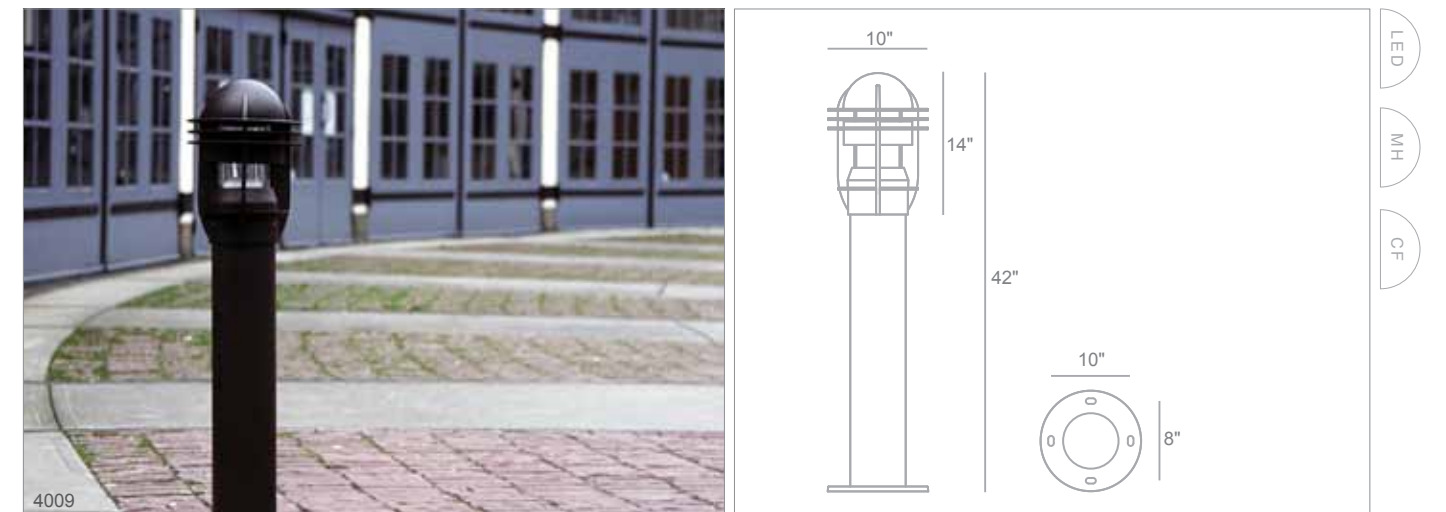
MOUNTING Post top or arm mount. Slip fit 4" OD pole top or tenon. Stainless steel set screws lock assembly to pole. Removable ballast tray.

PROTECTION Listed for use in wet locations to UL and CSA Standards. Windloading EPA = 0.95 sq. ft.

MODEL	SOURCE	VOLT	OPTIC	OPTIONS	COLOR
4010	100H MH	120	GG glare guard, no refractor	HSS ¹ house side shield	8 standard powder paints, RAL and custom available
4010T	70H MH	208	T5 type V refractor, glare guard		
		240	LV louvre assembly		
		277			
		347			

¹4010 unit only

Refer to specification pages online for further technical details.



Saturna Maxi Landscape Bollard

EXTERIOR

FAMILY CONCEPT The Saturna family line of luminaires features clean, simple lines that form a classic shape. The Saturna bollard is a maxi scale, exterior luminaire that provides symmetrical illumination with a dramatic light pattern.

MATERIAL Cast aluminum top cap, machined aluminum plate reflector disks and vertical ribs, threaded tempered glass lens, aluminum glare guard, die-formed aluminum fitter with Ø5.6" seamless aluminum post.

MOUNTING Concrete base mount (by others). Anchor bolts provided. Base plate is welded to bollard shaft with optional base cover.

PROTECTION Listed for use in wet locations to UL and CSA Standards.

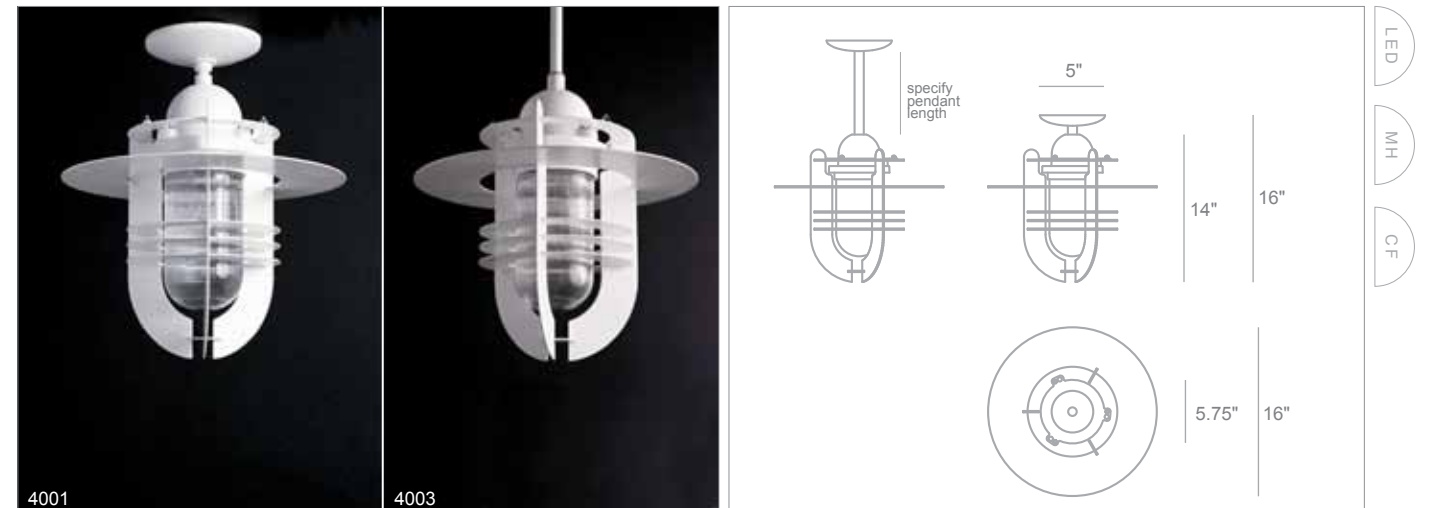
MODEL	SOURCE	VOLT	DIFFUSER	OPTIONS	COLOR
4009	27L LED	120	PR clear prismatic	BCR base cover - round	8 standard powder paints, RAL and custom available
	100H MH	208	RF frost	56' 5600K color temperature	
	70H MH	240	CLR ¹ polycarbonate	35' 3500K color temperature	
	50H MH	277		41' 4100K color temperature	
	142T CF	347+		DIM ¹ dimming	
	132T CF				

¹LED units only

Refer to specification pages online for further technical details and current LED information.



Saturna Mini 4002



Saturna Maxi Ceiling/Pendant Mount

INTERIOR

FAMILY CONCEPT The Saturna family line of luminaires features clean, simple lines that form a classic shape. The Saturna ceiling/pendant mount luminaires are maxi scale, interior luminaires that provide symmetrical illumination with a dramatic light pattern.

MATERIAL Cast aluminum housing, aluminum keyholed removal strut assembly, aluminum reflector disks and threaded, tempered lens with stainless steel fasteners.

MOUNTING Pendant or ceiling mount. Remote mounted ballast assembly is standard with integral ballast offered as optional.

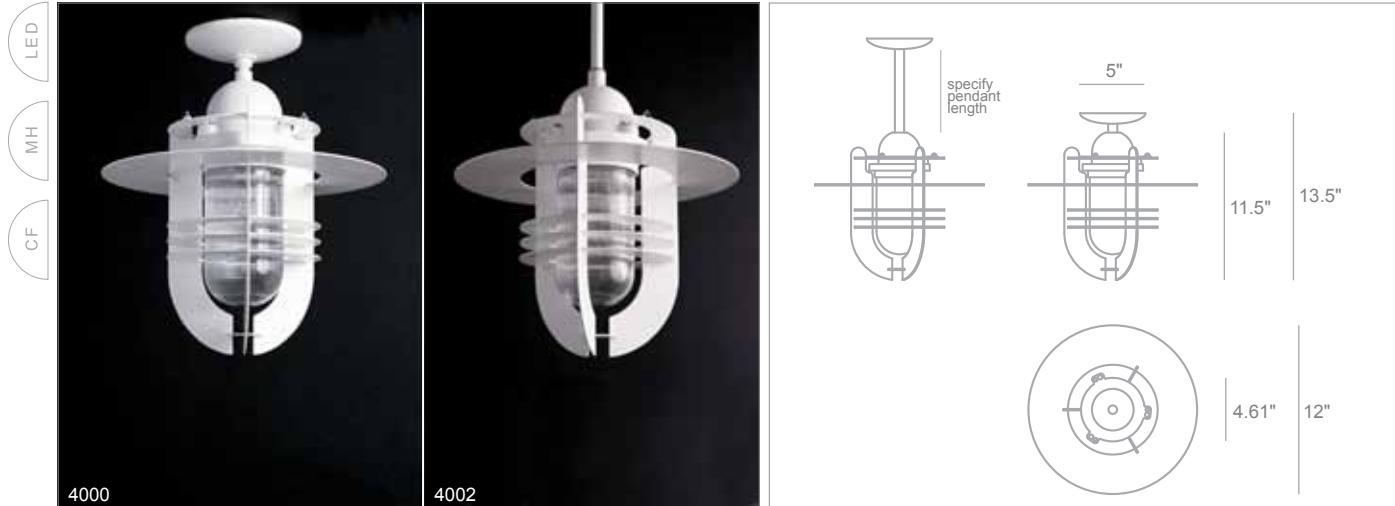
PROTECTION Listed for use in dry or damp locations to UL and CSA Standards. Specify "WL" for wet location option.

MODEL	SOURCE	VOLT	OPTICS	BALLAST/DRIVER	LOCATION	OPTIONS	COLOR
4001	22L LED	120	PR clear prismatic	REM	remote ballast/driver	WL wet location listing	8 standard powder paints, RAL and custom available
4003	200H MH	208	RF frost	INT	integral ballast/driver	C86 45° ball aligner hanger	
	150H MH	240				P(")² pendant length	
	100H MH	277				41¹ 4100K	
	70H MH	347+					
	142T CF						

¹LED units only ²4003 only

+Consult factory for LED

Refer to specification pages online for further technical details and current LED information.



Saturna Mini Ceiling/Pendant Mount

INTERIOR

FAMILY CONCEPT The Saturna family line of luminaires features clean, simple lines that form a classic shape. The Saturna ceiling/pendant mount luminaires are mini scale, interior luminaires that provide symmetrical illumination with a dramatic light pattern.

MATERIAL Cast aluminum housing, aluminum keyholed removal strut assembly, aluminum reflector disks and threaded, tempered glass lens with stainless steel fasteners.

MOUNTING Pendant or ceiling mount. Remote mounted ballast assembly is standard with integral ballast offered as optional.

PROTECTION Listed for use in dry or damp locations to UL and CSA Standards. Specify "WL" for wet location option.

MODEL	SOURCE	VOLT	OPTICS	BALLAST/DRIVER	LOCATION	OPTIONS	COLOR
4000	22L LED	120	PR clear prismatic	REM	remote ballast/driver	WL wet location listing	8 standard powder paints, RAL and custom available
4002	50H MH	208	RF frost	INT	integral ballast/driver	C86 45° ball aligner hanger	
	142T CF	240				P(") pendant length	
	132T CF	277				41' 4100K	
		347+					

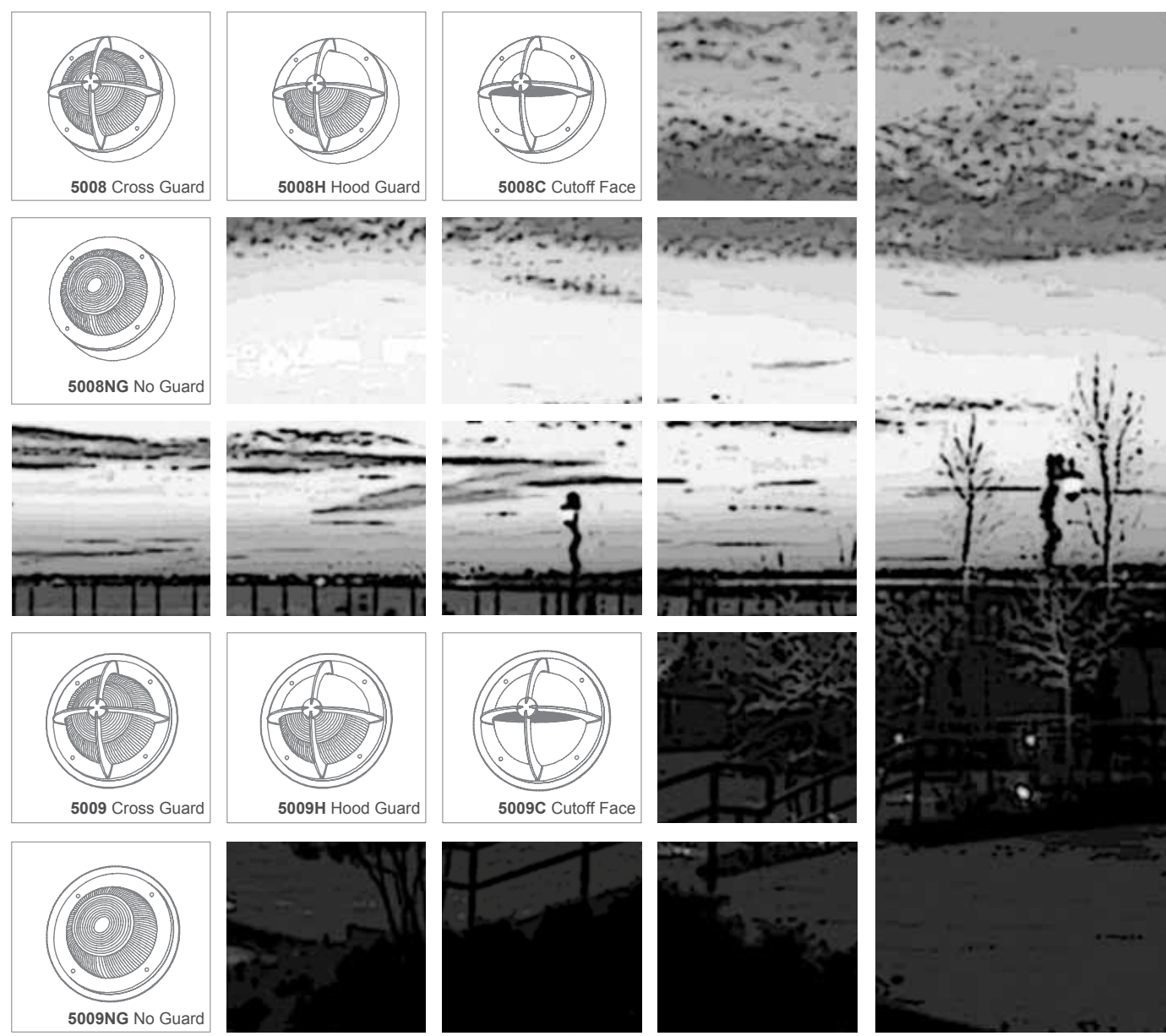
¹LED units only

+Consult factory for LED

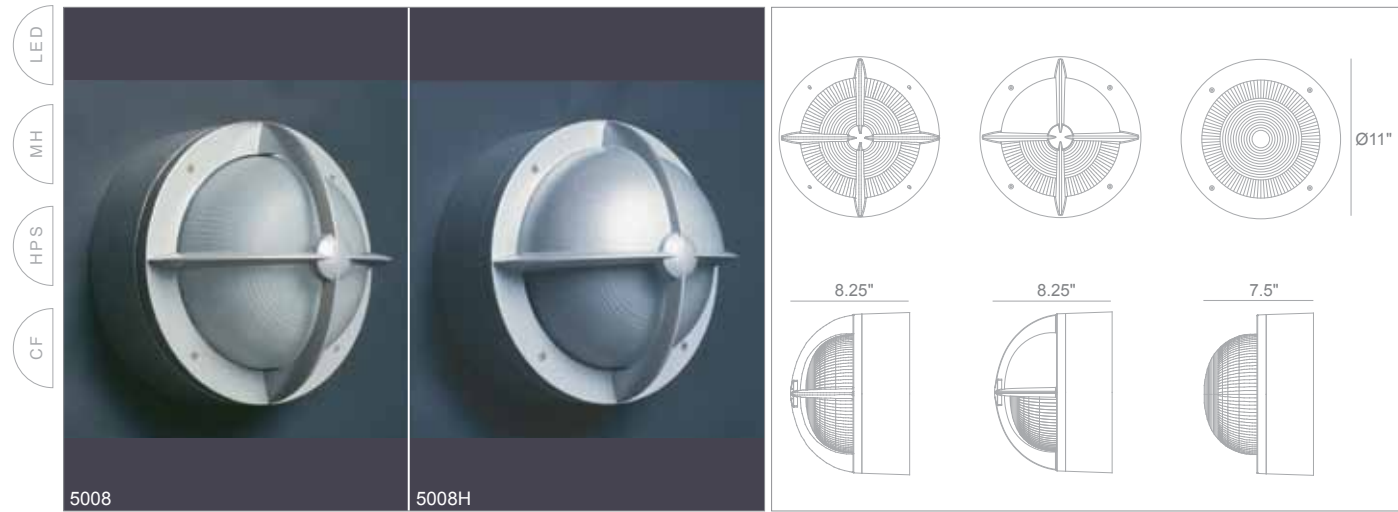
Refer to specification pages online for further technical details and current LED information.



Rockwall Harbour | Saturna Building Mount 5009



Saturna Building Mounts



Saturna Surface Wall Mount

EXTERIOR

FAMILY CONCEPT The Saturna family line of luminaires features clean, simple lines that form a classic shape. The Saturna surface mount luminaires are a midi scale, exterior luminaire that feature a refined yet robust construction.

MATERIAL Die cast, marine grade aluminum housing and guard, extruded EPDM rubber lens gasket, fully gasketed around glassware and housing with stainless steel fasteners.

MOUNTING Surface mount. Continuous gasket between housing back and wall surface. Some units may be mounted to ceiling.

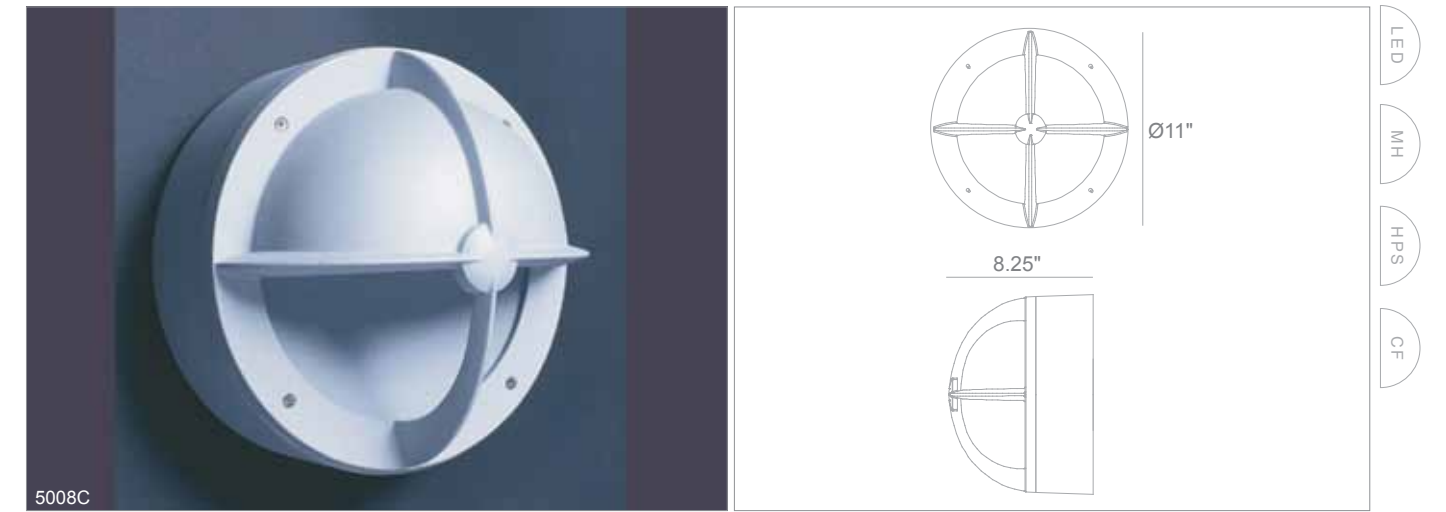
PROTECTION Listed for use in wet locations to UL and CSA Standards. UV and weather resistant.

MODEL	SOURCE	VOLT	OPTIONS	COLOR
5008	27L LED	120	FS ¹ fuse kit	8 standard powder paints, RAL and custom available
5008H	13L LED	208	EM battery back up (CF only)	
5008NG	100H MH	240	AUX ¹ auxiliary lighting control - quartz restrrike (HID only)	
	70H MH	277	OPC polycarbonate diffuser max. 50W HID/42W CF	
	100S HPS	347+	PC photocell 120V, button-type	
	70S HPS	40 ²	4000K	
	242T CF			
	232T CF			
	142T CF			
	132T CF			

¹Excluding LED ²LED units only

⁺Consult factory for LED

Refer to specification pages online for further technical details and current LED information.



Saturna Surface Cutoff Face Wall Mount

EXTERIOR

FAMILY CONCEPT The Saturna family line of luminaires features clean, simple lines that form a classic shape. The Saturna surface mount cutoff face luminaire is a midi scale, exterior luminaire that features a refined yet robust construction.

MATERIAL Die cast, marine grade aluminum housing and guard, extruded EPDM rubber lens gasket, fully gasketed around glassware and housing with stainless steel fasteners.

MOUNTING Surface mount. Continuous gasket between housing back and wall surface.

PROTECTION Listed for use in wet locations to UL and CSA Standards. UV and weather resistant.

MODEL	SOURCE	VOLT	OPTIONS	COLOR
5008C	20L LED	120	FS ¹ fuse kit	8 standard powder paints, RAL and custom available
	10L LED	208	PC photocell 120V, button-type	
	70H MH	240	40 ² 4000K	
	70S HPS	277		
	142T CF	347+		
	132T CF			

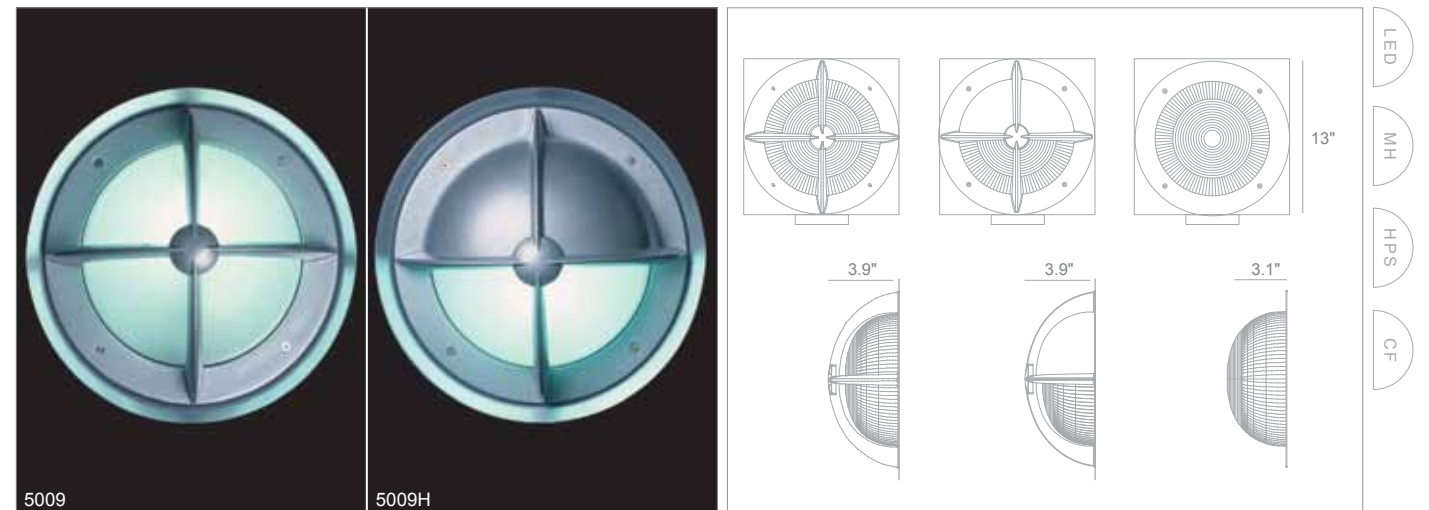
¹Excluding LED ²LED units only

⁺Consult factory for LED

Refer to specification pages online for further technical details and current LED information.



Saturna Building Mount 5009



Saturna Recessed Wall

EXTERIOR

FAMILY CONCEPT The Saturna family line of luminaires features clean, simple lines that form a classic shape. The Saturna recessed mount luminaires are a midi scale, exterior luminaire that feature a refined yet robust construction.

MATERIAL Die cast, marine grade aluminum housing and guard, extruded EPDM rubber lens gasket, fully gasketed around glassware and housing with stainless steel fasteners.

MOUNTING Recessed wall mount. Concrete pour and hollow wall installation.

PROTECTION Listed for use in wet locations to UL and CSA Standards. UV and weather resistant.

MODEL	SOURCE	VOLT	OPTIONS	COLOR
5009	27L LED	120	FS ¹ fuse kit	8 standard powder paints, RAL and custom available
5009H	13L LED	208	AUX auxiliary lighting control - quartz restrike (HID only)	
5009NG	100H MH	240	OPC polycarbonate diffuser max. 50w HID/42w CF	
	70H MH	277	40 ² 4000K	
	100S HPS	347+		
	70S HPS			
	242T CF			
232T CF				

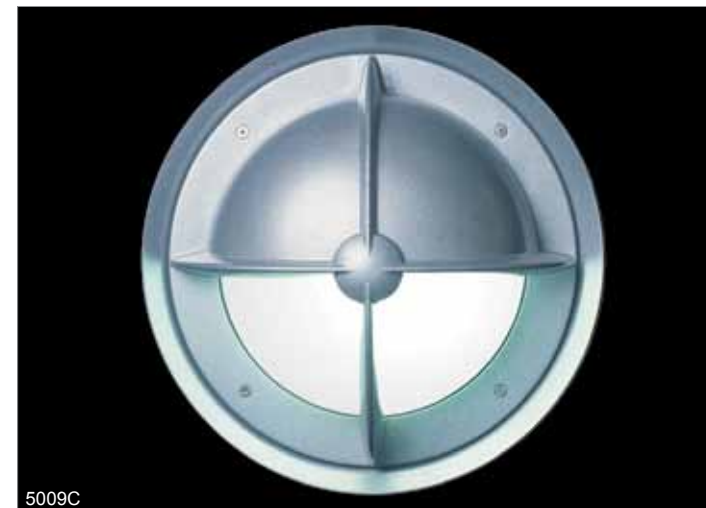
¹Excluding LED ²LED units only

⁺Consult factory for LED

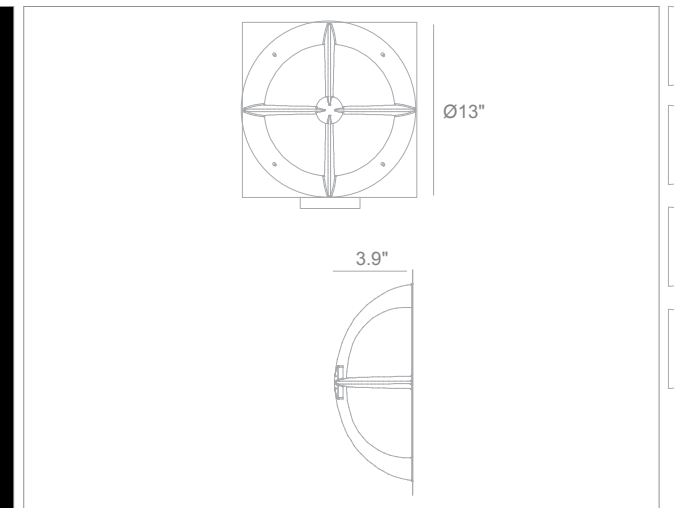
Refer to specification pages online for further technical details and current LED information.



Saturna Building Mount 5009C



5009C



Saturna Recessed Cutoff Face

EXTERIOR

FAMILY CONCEPT The Saturna family line of luminaires features clean, simple lines that form a classic shape. The Saturna recessed mount cutoff face luminaire is a midi scale, exterior luminaire that features a refined yet robust construction.

MATERIAL Die cast, marine grade aluminum housing and guard, extruded EPDM rubber lens gasket, fully gasketed around glassware and housing with stainless steel fasteners.

MOUNTING Recessed wall mount. Concrete pour and hollow wall installation.

PROTECTION Listed for use in wet locations to UL and CSA Standards. UV and weather resistant.

MODEL	SOURCE	VOLT	OPTIONS	COLOR	
5009C	20L	LED	120	FS ¹ fuse kit	8 standard powder paints, RAL and custom available
	10L	LED	208	40 ² 4000K	
	70H	MH	240		
	70S	HPS	277		
	142T	CF	347+		
	132T	CF			

¹Excluding LED ²LED units only

⁺Consult factory for LED

Refer to specification pages online for further technical details and current LED information.

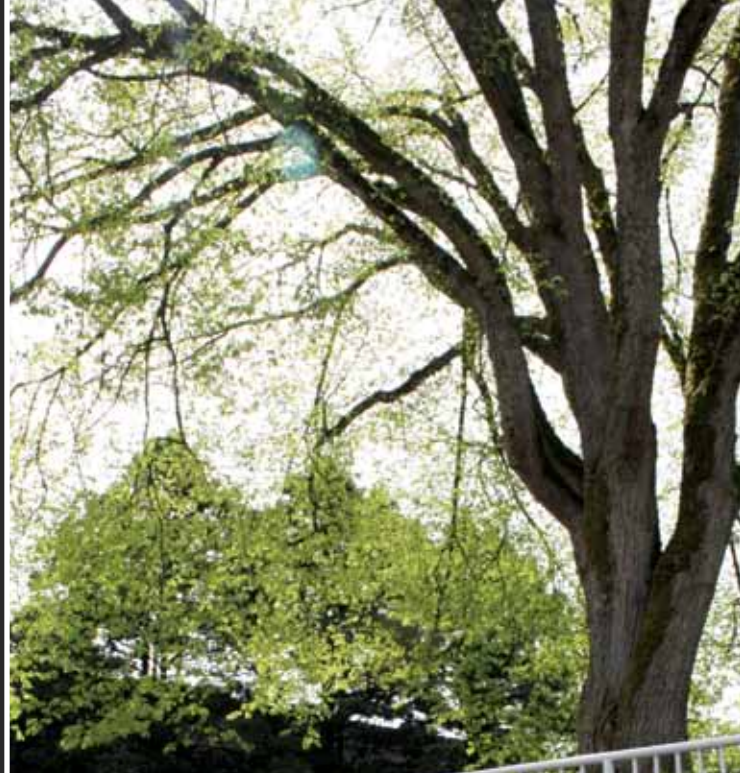


Sightlines

Landscape Illumination

The Sightlines collection of complementary luminaires feature recessed steplights in cast aluminum or stainless steel, recessed downlights, and a sturdy bollard. Recessed steplights are designed for low mounted walkway lighting suitable for concrete pour and hollow wall applications. The recessed downlight is a premium quality, vandal resistant

downlight designed for exterior canopies and soffits. The Sentry bollard is an exterior luminaire that features a heavy-duty, seamless .250" steel shaft and cast aluminum construction that is ideal for use in heavy traffic locations where vandal resistance is a priority.



1645
Midi Low Level

1573R
Maxi Low Level

Irving K Barber, UBC, Vancouver, BC



2400SS
Mini Low Level

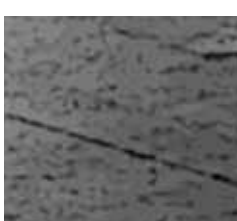
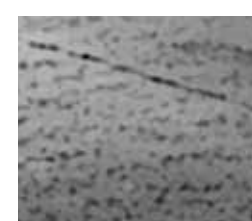
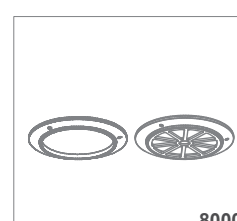
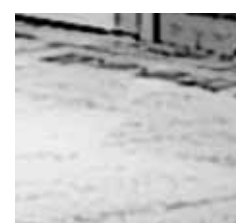
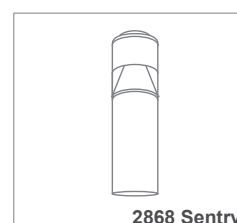
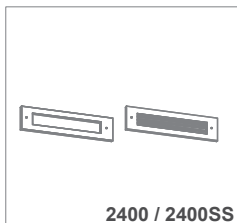
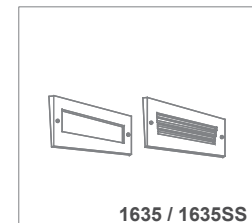
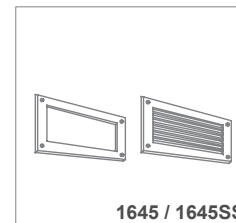
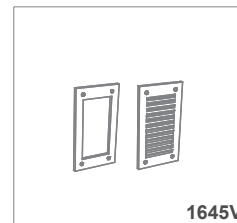
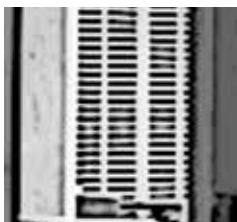
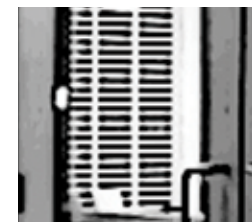
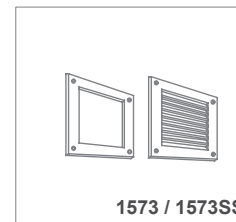
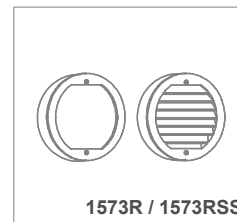
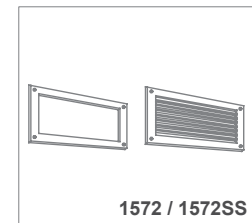
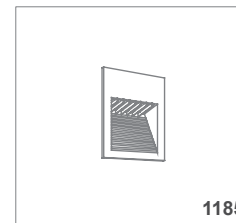
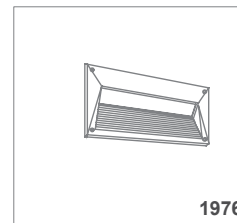
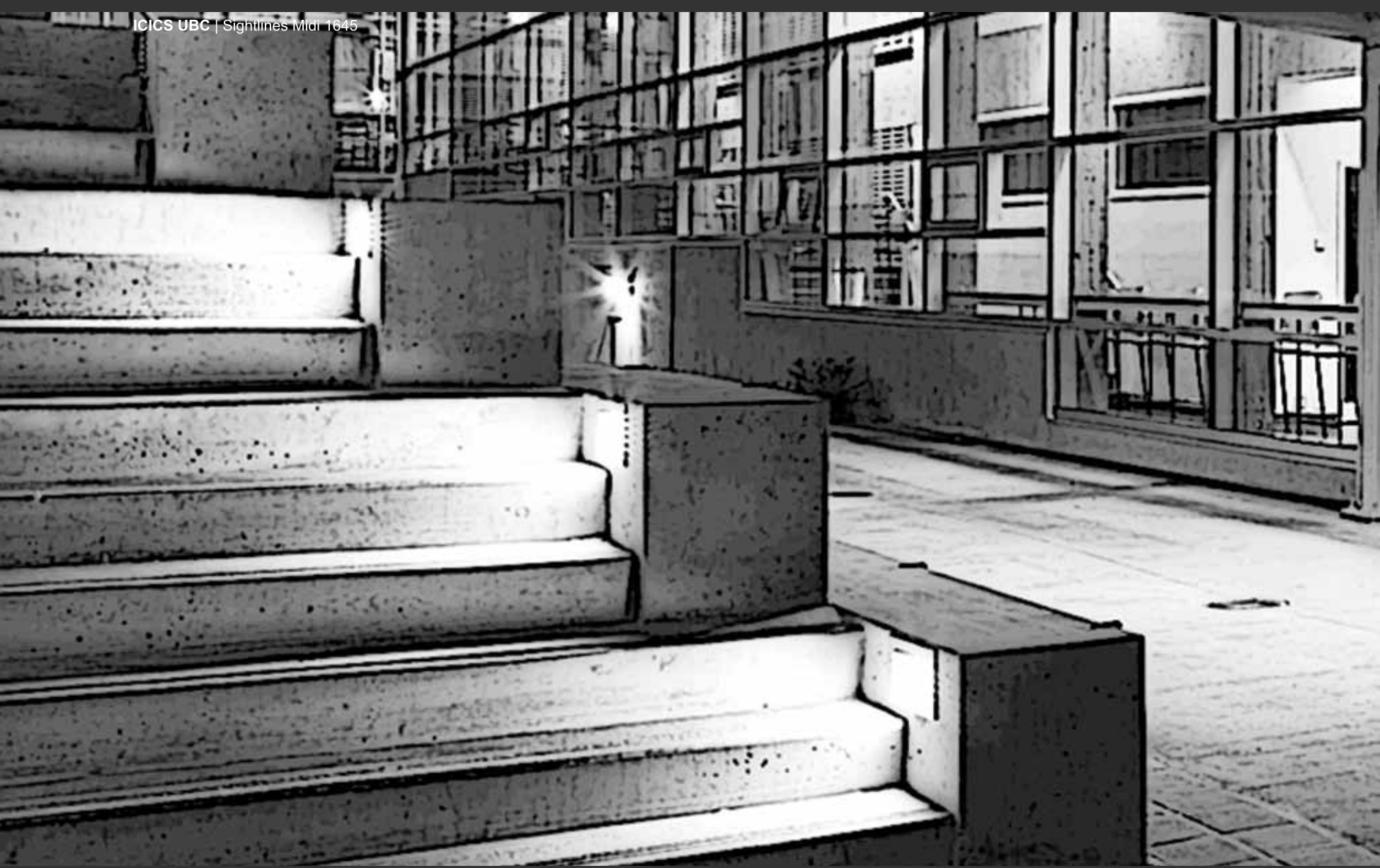
1573
Maxi Low Level



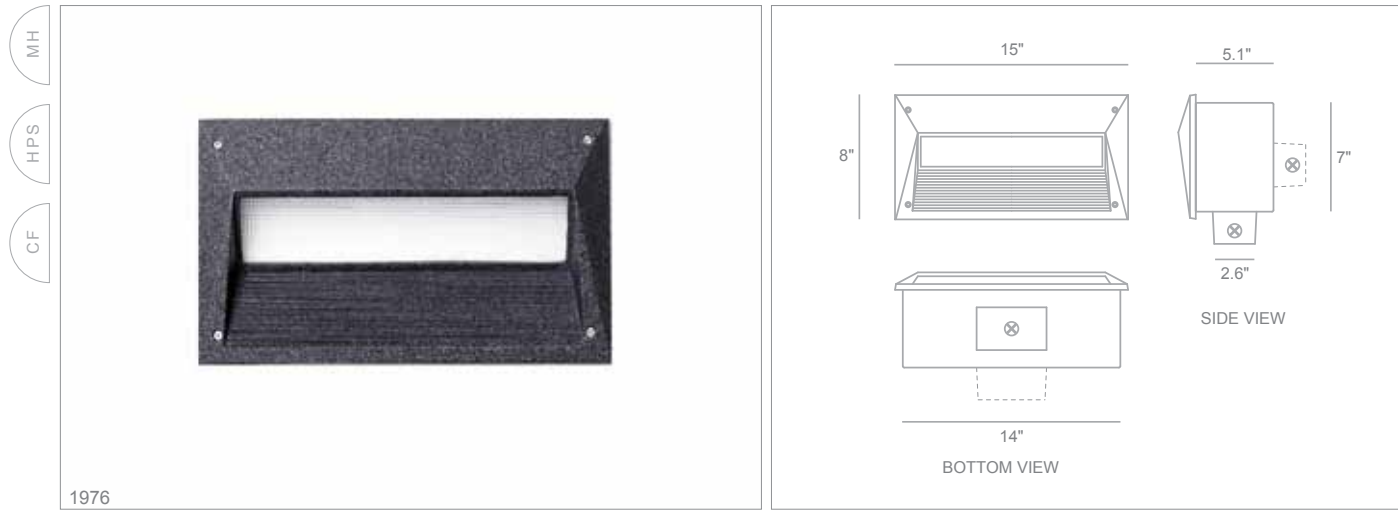
2868
Maxi Sentry Bollard

Transportation Building, Vancouver, BC

ICICS UBC | Sightlines Midr 1645



Sightlines Collection



Sightlines Maxi Step/Path Low Level Area Light

EXTERIOR

FAMILY CONCEPT The Sightlines collection features low level recessed luminaires for landscape illumination. The Sightlines Maxi 1976 is a maxi, exterior luminaire that is designed for concrete pour or hollow wall installation.

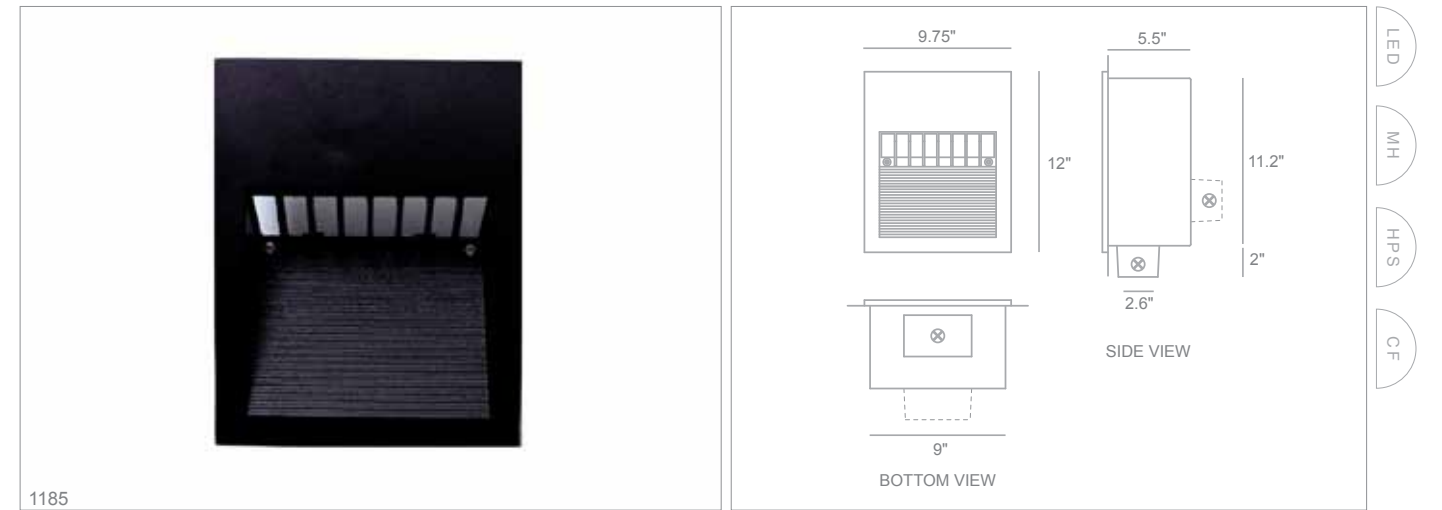
MATERIAL Cast aluminum faceplate, .064" aluminum housing protected with high gloss white powder coat, formed, specular, anodized aluminum sheet reflector and tempered, sealed prismatic glass lens.

MOUNTING Concrete pour or hollow wall installation.

PROTECTION Listed for use in wet locations within four feet of the ground to UL and CSA Standards.

MODEL	SOURCE	VOLT	OPTIONS	COLOR	
1976	70H	MH	120	FS fuse kit	8 standard powder paints, RAL and custom available
	70S	HPS	208		
	142T	CF	240		
	132T	CF	277		
			347		

Refer to specification pages online for further technical details.



Sightlines Maxi Step/Path Low Level Area Light

EXTERIOR

FAMILY CONCEPT The Sightlines collection features low level recessed luminaires for landscape illumination. The Sightlines Maxi 1185 is a maxi, exterior luminaire that is designed for concrete pour or hollow wall installation.

MATERIAL Cast aluminum faceplate, .064" aluminum housing protected with high gloss white powder coat, formed, specular, anodized aluminum sheet reflector and tempered, sealed prismatic glass lens.

MOUNTING Concrete pour or hollow wall installation.

PROTECTION Listed for use in wet locations within four feet of the ground to UL and CSA Standards.

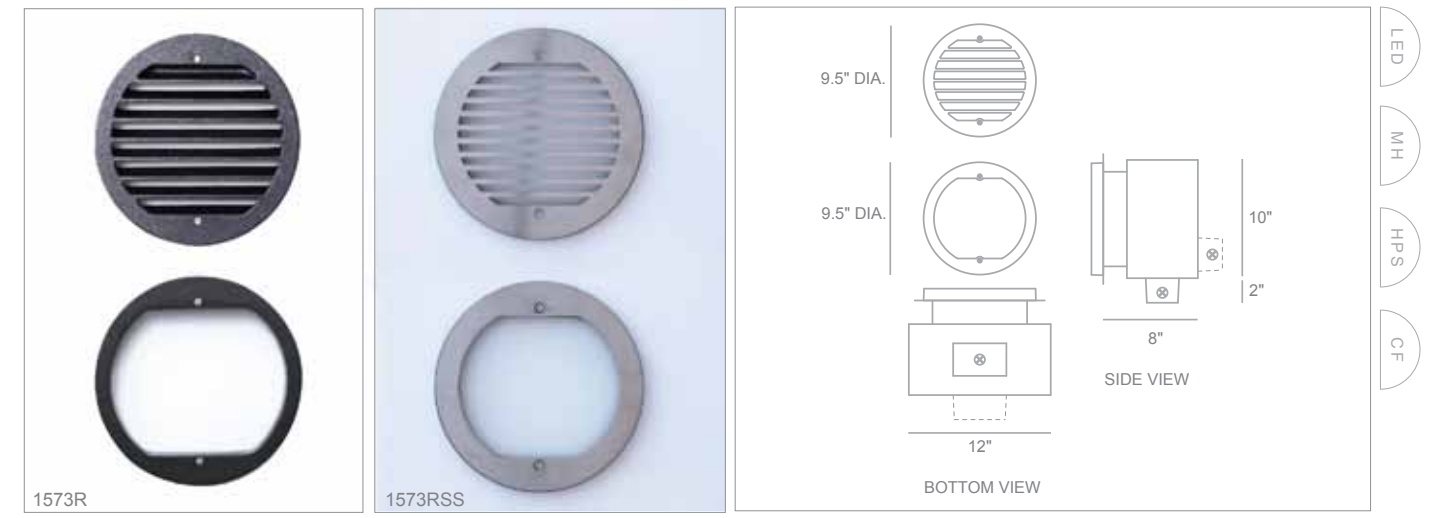
MODEL	SOURCE	VOLT	OPTIONS	COLOR	
1185	15L	LED	120	FS fuse kit	8 standard powder paints, RAL and custom available
	7L	LED	208		
	70H	MH	240		
	70S	HPS	277		
	142T	CF	347+		
	132T	CF			

*LED units only

+Consult factory for LED
Refer to specification pages online for further technical details and current LED information.



Sightlines Maxi 1573R



Sightlines Maxi Step/Path Low Level Area Light

EXTERIOR

FAMILY CONCEPT The Sightlines collection features low level recessed luminaires for landscape illumination. The Sightlines Maxi 1573R is a maxi, exterior luminaire that is designed for concrete pour or hollow wall installation.

MATERIAL Cast aluminum or stainless steel faceplate, .064" aluminum housing protected with high gloss white powder coat, formed, specular, anodized aluminum sheet reflector and tempered, sealed prismatic glass lens.

MOUNTING Concrete pour or hollow wall installation.

PROTECTION Listed for use in wet locations within four feet of the ground to UL and CSA Standards.

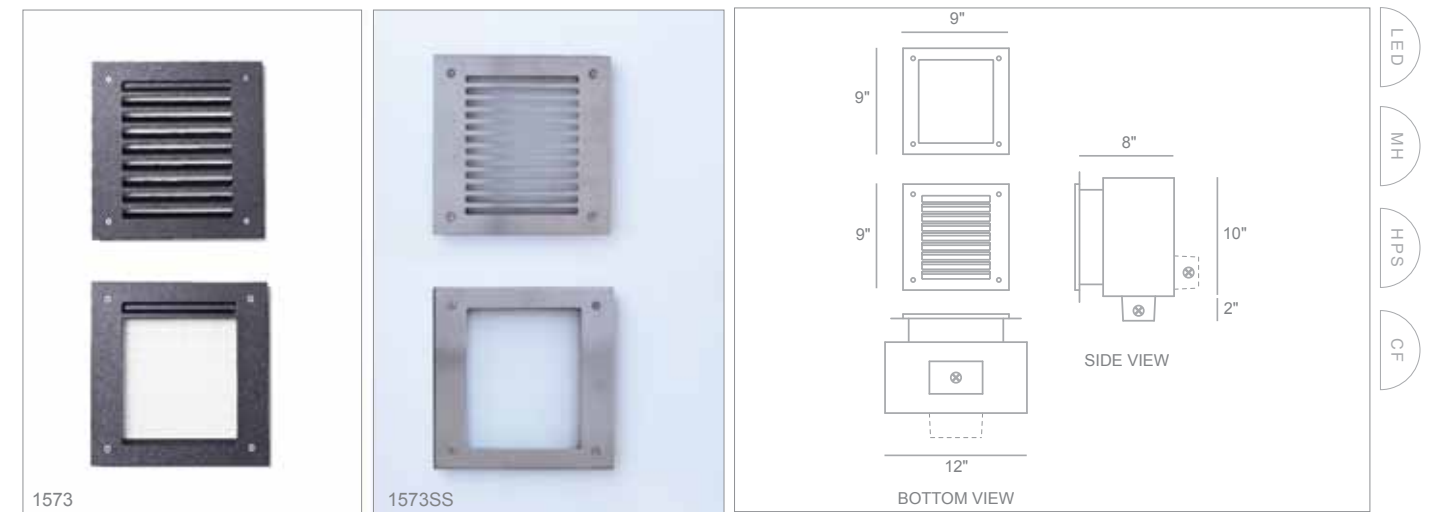
MODEL	SOURCE	VOLT	OPTIONS	FACEPLATE	COLOR
1573R	15L LED	120	FS fuse kit	LV louvered/slotted	8 standard powder paints, RAL and custom available Stainless steel
1573RSS	7L LED	208	DIM ¹ dimming driver 0 - 10 volts	PR open	
	100H MH	240			
	70H MH	277			
	100S HPS	347 ²	40' 4000K		
	70S HPS	30'	3000K		
	132T CF				

¹LED units only ²Excluding LED

Refer to specification pages online for further technical details and current LED information.



Sightlines Maxi 1573



Sightlines Maxi Step/Path Low Level Area Light

EXTERIOR

FAMILY CONCEPT The Sightlines collection features low level recessed luminaires for landscape illumination. The Sightlines Maxi 1573 is a maxi, exterior luminaire that is designed for concrete pour or hollow wall installation.

MATERIAL Cast aluminum or stainless steel faceplate, .064" aluminum housing protected with high gloss white powder coat, formed, specular, anodized aluminum sheet reflector and tempered, sealed prismatic glass lens.

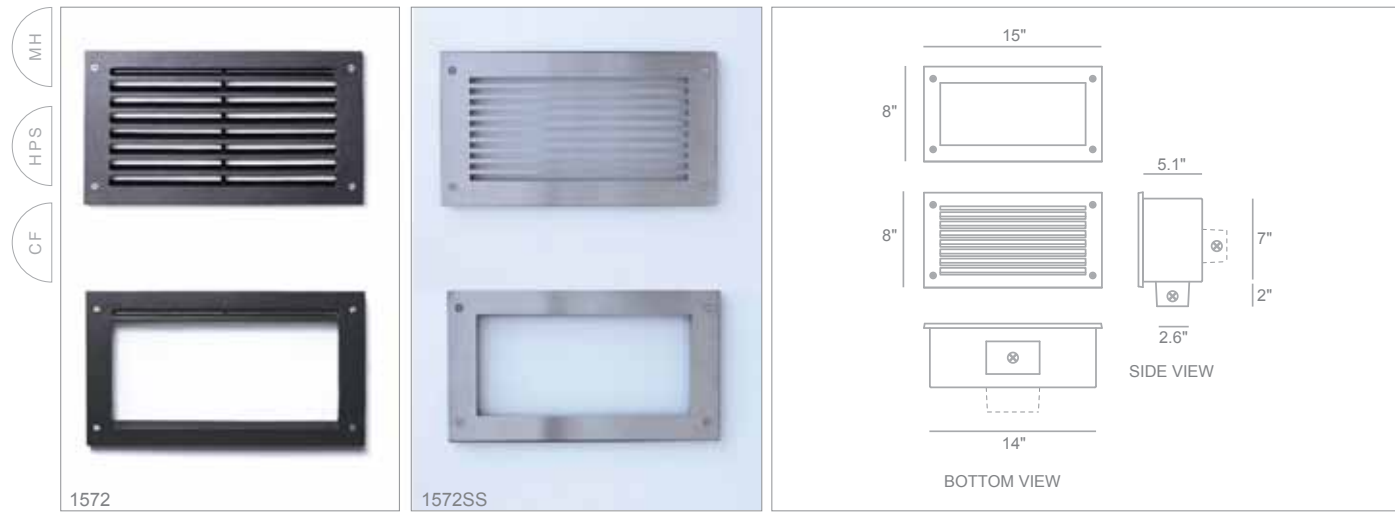
MOUNTING Concrete pour or hollow wall installation.

PROTECTION Listed for use in wet locations within four feet of the ground to UL and CSA Standards.

MODEL	SOURCE	VOLT	OPTIONS	FACEPLATE	COLOR
1573	15L LED	120	FS fuse kit	LV louvered/slotted	8 standard powder paints, RAL and custom available Stainless steel
1573SS	7L LED	208	DIM ¹ dimming driver 0 - 10 volts	PR open	
	100H MH	240			
	70H MH	277			
	100S HPS	347 ²	40' 4000K		
	70S HPS		30' 3000K		
	132T CF				

¹LED units only ²Excluding LED

Refer to specification pages online for further technical details and current LED information.



Sightlines Maxi Step/Path Low Level Area Light

EXTERIOR

FAMILY CONCEPT The Sightlines collection features low level recessed luminaires for landscape illumination. The Sightlines Maxi 1572 is a maxi, exterior luminaire that is designed for concrete pour or hollow wall installation.

MATERIAL Cast aluminum or stainless steel faceplate, .064" aluminum housing protected with high gloss white powder coat, formed, specular, anodized aluminum sheet reflector and tempered, sealed prismatic glass lens.

MOUNTING Concrete pour or hollow wall installation.

PROTECTION Listed for use in wet locations within four feet of the ground to UL and CSA Standards.

MODEL	SOURCE	VOLT	OPTIONS	FACEPLATE	COLOR
1572	70H	MH	120	FS fuse kit	LV louvered/slotted
1572SS	70S	HPS	208		PR open
	142T	CF	240		
	132T	CF	277		
			347		

Refer to specification pages online for further technical details.

Sightlines Midi Step/Path Low Level Area Light

EXTERIOR

FAMILY CONCEPT The Sightlines collection features low level recessed luminaires for landscape illumination. The Sightlines Midi 1645V is a midi, exterior luminaire that is designed for concrete pour or hollow wall installation.

MATERIAL Cast aluminum faceplate, .064" aluminum housing protected with high gloss white powder coat, formed, high gloss white aluminum sheet reflector and tempered, sealed prismatic glass or polycarbonate lens.

MOUNTING Concrete pour or hollow wall installation.

PROTECTION Listed for use in wet locations within four feet of the ground to UL and CSA Standards.

MODEL	SOURCE	VOLT	OPTIONS	FACEPLATE	COLOR
1645V	15L	LED	120	FS fuse kit	LV louvered
	218Q	CF	208	40' 4000K	PR open
	213Q	CF	240	30' 3000K	
			277		
			347+		

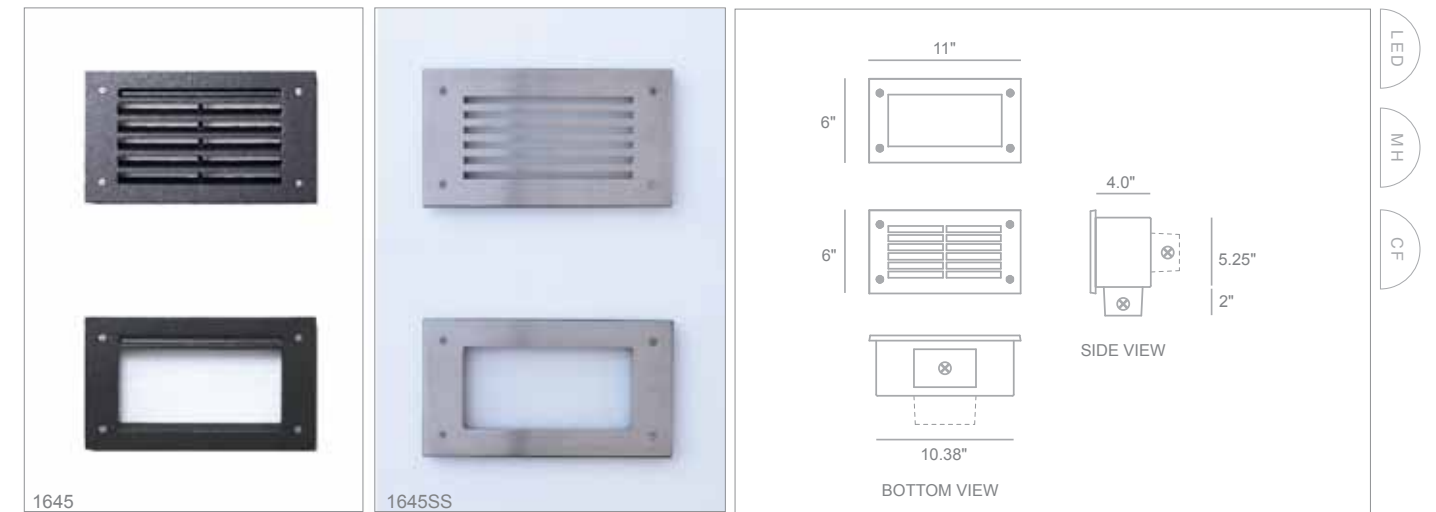
¹LED units only

⁺Consult factory for LED

Refer to specification pages online for further technical details and current LED information.



Sightlines Midi 1645



Sightlines Midi Step/Path Low Level Area Light

EXTERIOR

FAMILY CONCEPT The Sightlines collection features low level recessed luminaires for landscape illumination. The Sightlines Midi 1645 is a midi, exterior luminaire that is designed for concrete pour or hollow wall installation.

MATERIAL Cast aluminum or stainless steel faceplate, .064" aluminum housing protected with high gloss white powder coat, formed, high gloss white aluminum sheet reflector and tempered, sealed prismatic glass or polycarbonate lens.

MOUNTING Concrete pour or hollow wall installation.

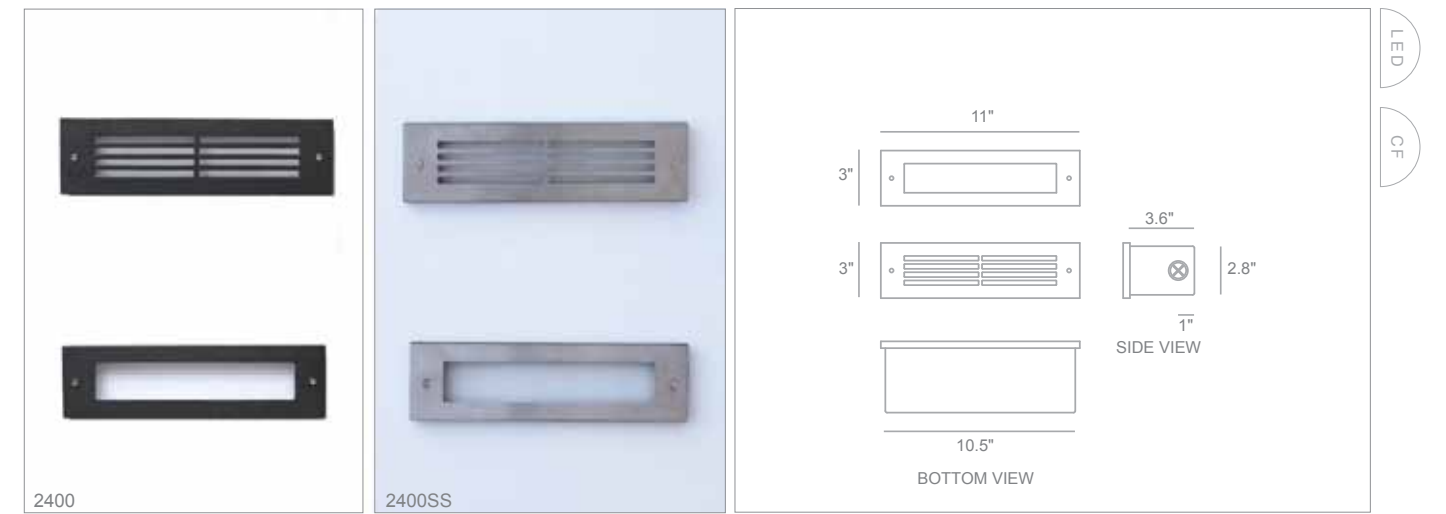
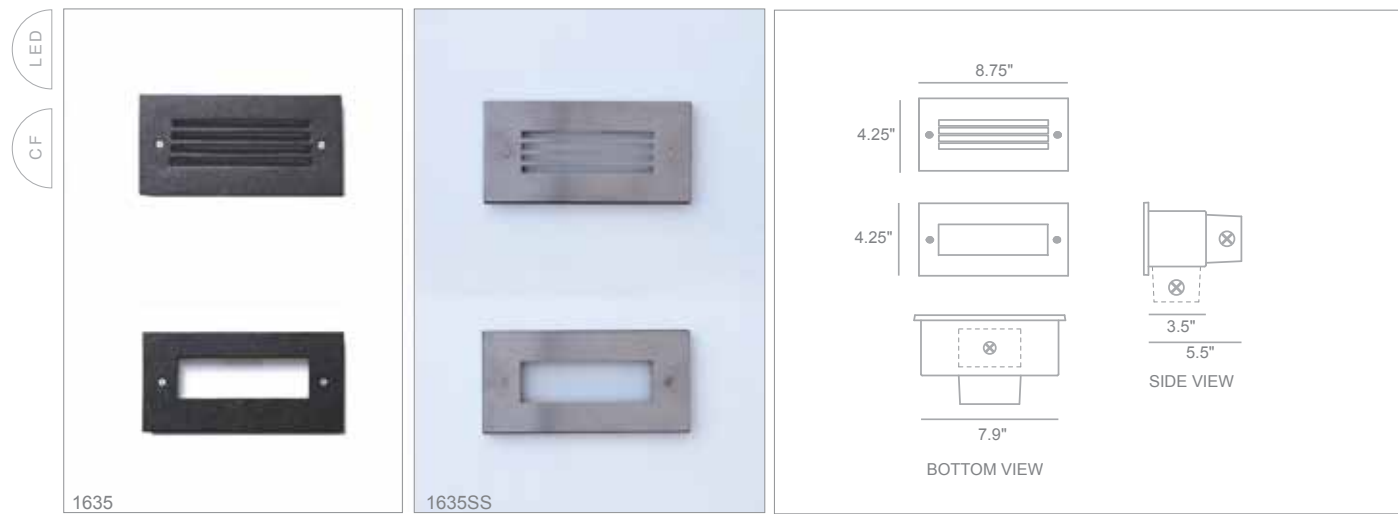
PROTECTION Listed for use in wet locations within four feet of the ground to UL and CSA Standards.

MODEL	SOURCE	VOLT	OPTIONS	FACEPLATE	COLOR
1645	15L LED	120	FS fuse kit	LV louvered/slotted	8 standard powder paints, RAL and custom available Stainless steel
1645SS	20H MH	208	EM emergency battery back up (2 x 13w only)	PR open	
	218Q CF	240	40' 4000K		
	213Q CF	277			
		347+			

¹LED units only

⁺Consult factory for LED

Refer to specification pages online for further technical details and current LED information.



Sightlines Mini Step/Path Low Level Area Light

EXTERIOR

FAMILY CONCEPT The Sightlines collection features low level recessed luminaires for landscape illumination. The Sightlines Mini 1635 is a mini, exterior luminaire that is designed for concrete pour or hollow wall installation.

MATERIAL Cast aluminum or stainless steel faceplate, .064" aluminum housing protected with high gloss white powder coat, formed, high gloss white aluminum sheet reflector and sealed polycarbonate or tempered, sealed prismatic glass lens.

MOUNTING Concrete pour or hollow wall installation.

PROTECTION Listed for use in wet locations within four feet of the ground to UL and CSA Standards.

MODEL	SOURCE	VOLT	J-BOX LOCATION	OPTIONS	FACEPLATE	COLOR
1635	7L LED	120	RJB rear mount	FS fuse kit	LV louvered/slotted	8 standard powder paints, RAL and custom available Stainless steel
1635SS	113Q CF	208	j-box	40' 4000K	PR open	
		240	BJB bottom mount			
		277	j-box			
		347+				

¹LED units only

⁺Consult factory for LED

Refer to specification pages online for further technical details and current LED information.

Sightlines Mini Step/Path Low Level Area Light

EXTERIOR

FAMILY CONCEPT The Sightlines collection features low level recessed luminaires for landscape illumination. The Sightlines Mini 2400 is a mini, exterior luminaire that is designed for concrete pour or hollow wall installation.

MATERIAL Cast aluminum or stainless steel faceplate, .064" aluminum housing protected with high gloss white powder coat, formed, high gloss white aluminum sheet reflector and tempered, sealed prismatic glass or sealed polycarbonate lens.

MOUNTING Concrete pour or hollow wall installation.

PROTECTION Listed for use in wet locations within four feet of the ground to UL and CSA Standards.

MODEL	SOURCE	VOLT	OPTIONS	FACEPLATE	COLOR
2400	7L LED	120	FS fuse kit	LV louvered/slotted	8 standard powder paints, RAL and custom available Stainless steel
2400SS	118Q CF	208	40' 4000K	PR open	
	113Q CF	240			
		277			
		347+			

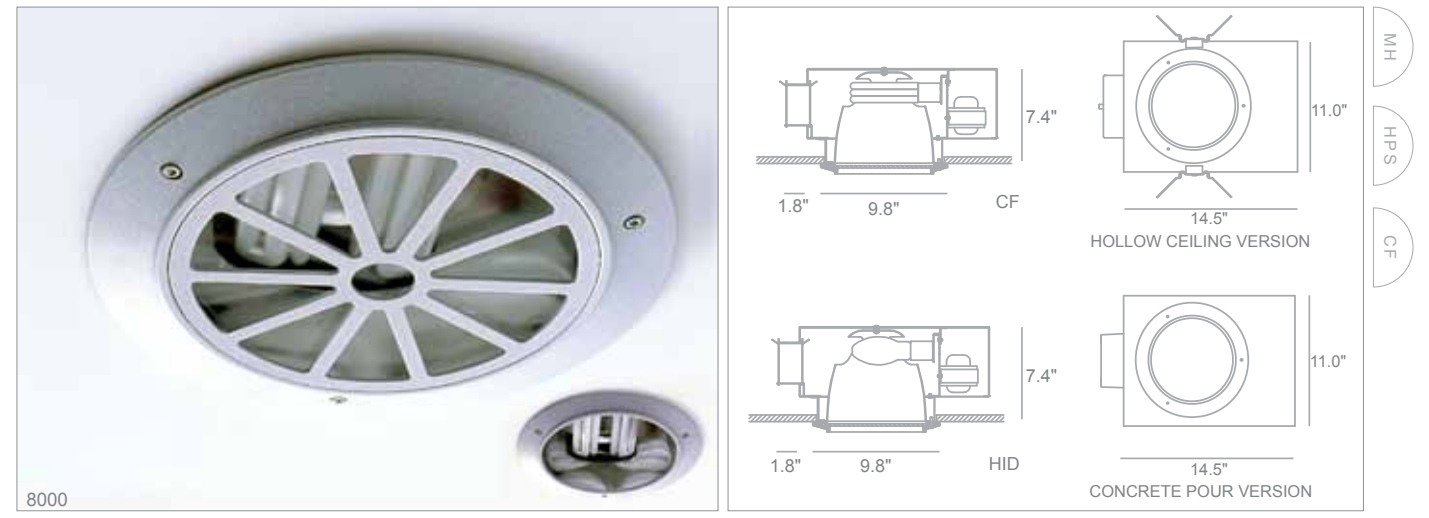
¹LED units only

⁺Consult factory for LED

Refer to specification pages online for further technical details and current LED information.



Sightlines 8000



Sightlines Sealed Recessed Downlight

EXTERIOR

- FAMILY CONCEPT** The Sightlines collection features a sealed recessed downlight for exterior canopies and soffits. The Sightlines vandal resistant downlight luminaire is designed for recessed ceiling mounting.
- MATERIAL** Zinc coated steel housing (HC) or .064" aluminum housing (CP), pressure die cast aluminum trim, spun aluminum with clear ALZAK finish reflector with polycarbonate or glass lens.
- MOUNTING** Concrete pour or hollow ceiling installation, non-IC rated.
- PROTECTION** Listed for use in wet locations to UL and CSA Standards. IP 65 rated.

MODEL	SOURCE	VOLT	OPTICS	OPTIONS	MOUNTING	COLOR
8000	70H	MH 120	CPC ² .188" clear	CG cast guard	HC hollow ceiling	8 standard powder paints, RAL and custom available
	50H	MH 208	polycarbonate	EM ² battery back up	CP concrete pour	
	70S	HPS 240	K12 ² .125" prismatic	AUX ¹ auxiliary lighting system - quartz		
	50S	HPS 277	polycarbonate	restrike		
	242T	CF 347+	PR ¹ Solite™	BH bar hanger set of 4 #1287		
	232T	CF	tempered glass			
	142T	CF	CTG ¹ .156" clear			
	132T	CF	tempered glass			

¹MH and HPS units only ²CF units only

⁺Consult factory for LED

Refer to specification pages online for further technical details.



Sightlines Sealed Recessed Downlight

EXTERIOR

FAMILY CONCEPT The Sightlines collection features a sealed recessed downlight for exterior canopies and soffits. The Sightlines vandal resistant downlight luminaire is designed for recessed ceiling mounting.

MATERIAL Zinc coated steel housing, pressure die cast aluminum trim, spun aluminum with clear ALZAK finish reflector with clear polycarbonate or glass lens.

MOUNTING Hollow ceiling installation. Non IC rated.

PROTECTION Listed for use in wet locations to UL and CSA Standards. IP 65 rated.

MODEL	SOURCE	VOLT	OPTICS	OPTIONS	MOUNTING	COLOR
8000	17L	LED	120	CPC .188" clear	CG cast guard	8 standard powder paints, RAL and custom available
	33L	LED	208	polycarbonate	BH bar hanger - set of 4, #1287	
			240	PR Solite™	PH painted housing	
			277	tempered glass	TP vandal resistant fasteners	
			347+	CTG .156" clear	30K 3000K LED module	
				tempered glass	35K 3500K LED module	
				40K 4000K LED module		

+Consult factory for LED

Refer to specification pages online for further technical details and current LED information.



Sightlines Sentry Bollard

EXTERIOR

FAMILY CONCEPT The Sightlines Sentry bollard is an exterior luminaire that was designed for landscape use in heavy traffic locations where vandal resistance is a priority.

MATERIAL Cast aluminum .188" wall marine grade top cap, distributing reflector and base plate, .250" thick cold rolled seamless steel shaft and housing, tempered prismatic threaded glass shield, die cast aluminum lamp enclosure, galvanized steel fitter anchorage.

MOUNTING Poured concrete base (by others). Anchor bolts, template and hardware provided. Internal tenon option available.

PROTECTION Listed for use in wet locations to UL and CSA Standards.

MODEL	SOURCE	VOLT	OPTIONS	LENGTHS	COLOR	
2868	100H	MH	120	HO head only (20" O.A.)	42"	
	70H	MH	208	UL("_") unlit version (specify length)	36"	
	50H	MH	240	BM barricade mounting tenon	30"	
	100S	HPS	277	PCS polycarbonate globe shield		
	70S	HPS	347+	IB pre-drilled for i-bolts (chain)		
	50S	HPS		4@ 90°		
	142T	CF		REM' removable unlit version		
	126/32T	CF		PT polished aluminum top cap		
						8 standard powder paints, RAL and custom available.

+Consult factory

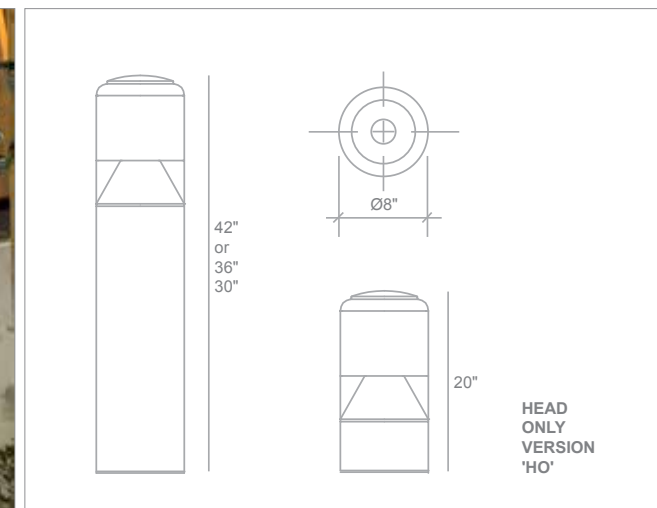
+Consult factory for LED
Refer to specification pages online for further technical details.



Sightlines 2868



2868LED



LED

Sightlines LED Sentry Bollard

EXTERIOR

- FAMILY CONCEPT** The Sightlines Sentry bollard is an exterior luminaire that was designed for landscape use in heavy traffic locations where vandal resistance is a priority.
- MATERIAL** Cast aluminum .188" wall marine grade top cap, distributing reflector and base plate, .250" thick cold rolled seamless steel shaft and housing, galvanized steel fitter anchorage.
- MOUNTING** Poured concrete base (by others). Anchor bolts, template and hardware provided. Internal tenon option available.
- PROTECTION** Listed for use in wet locations to UL and CSA Standards.

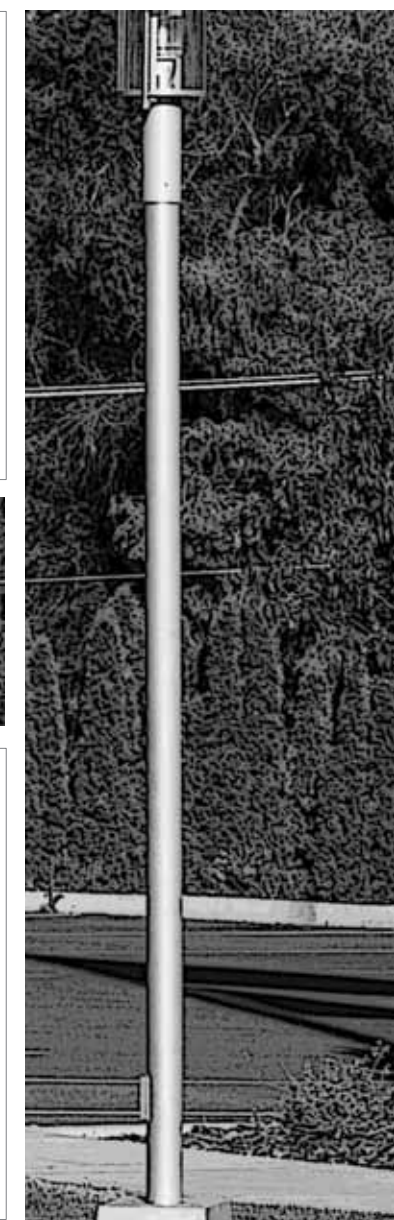
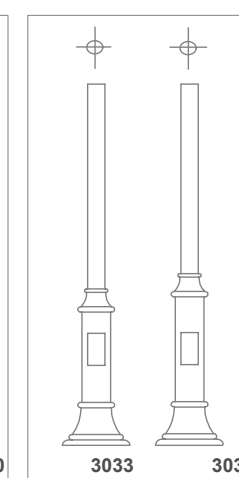
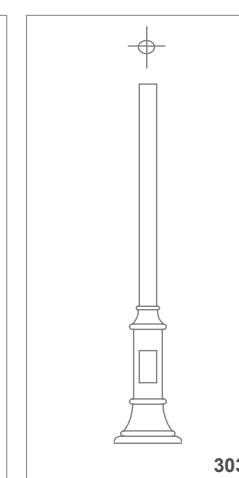
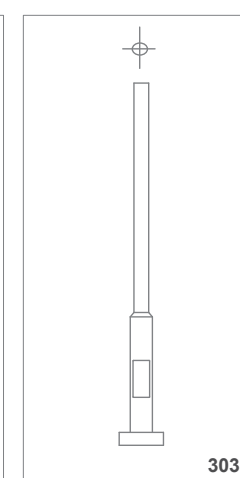
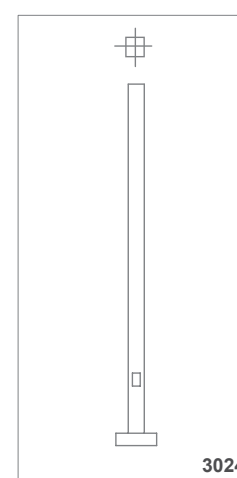
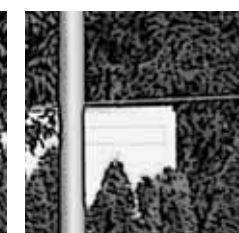
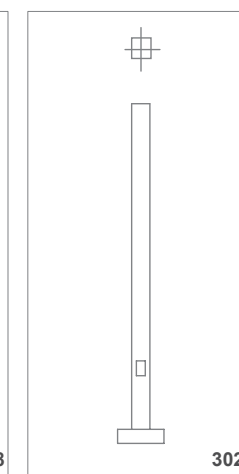
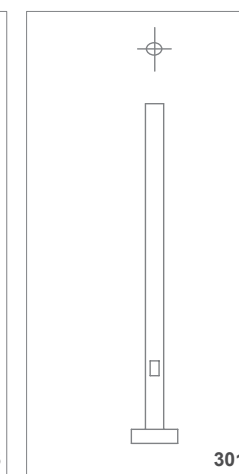
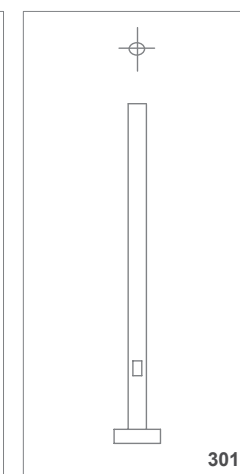
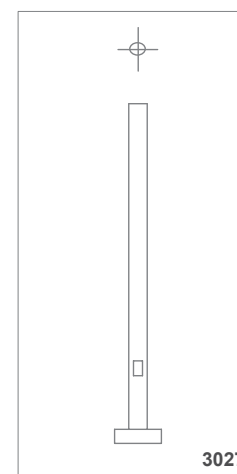
MODEL	SOURCE	COLOR TEMPERATURE	VOLT	OPTIONS	LENGTHS	LED CONTROLS	COLOR	
2868	32L LED	41	4100K	120	HO	head only (20" O.A.)	MS motion sensor 2x PIR sensors (80% dimmed)	8 standard powder paints, RAL and custom available.
		57	5700K	208	180	asymmetric distribution with house side shield		
				240		amber LED light engine		
				277	AM	barricade mounting tenon		
				347+	BM			

+Consult factory for LED
Refer to specification pages online for further technical details and current LED information.

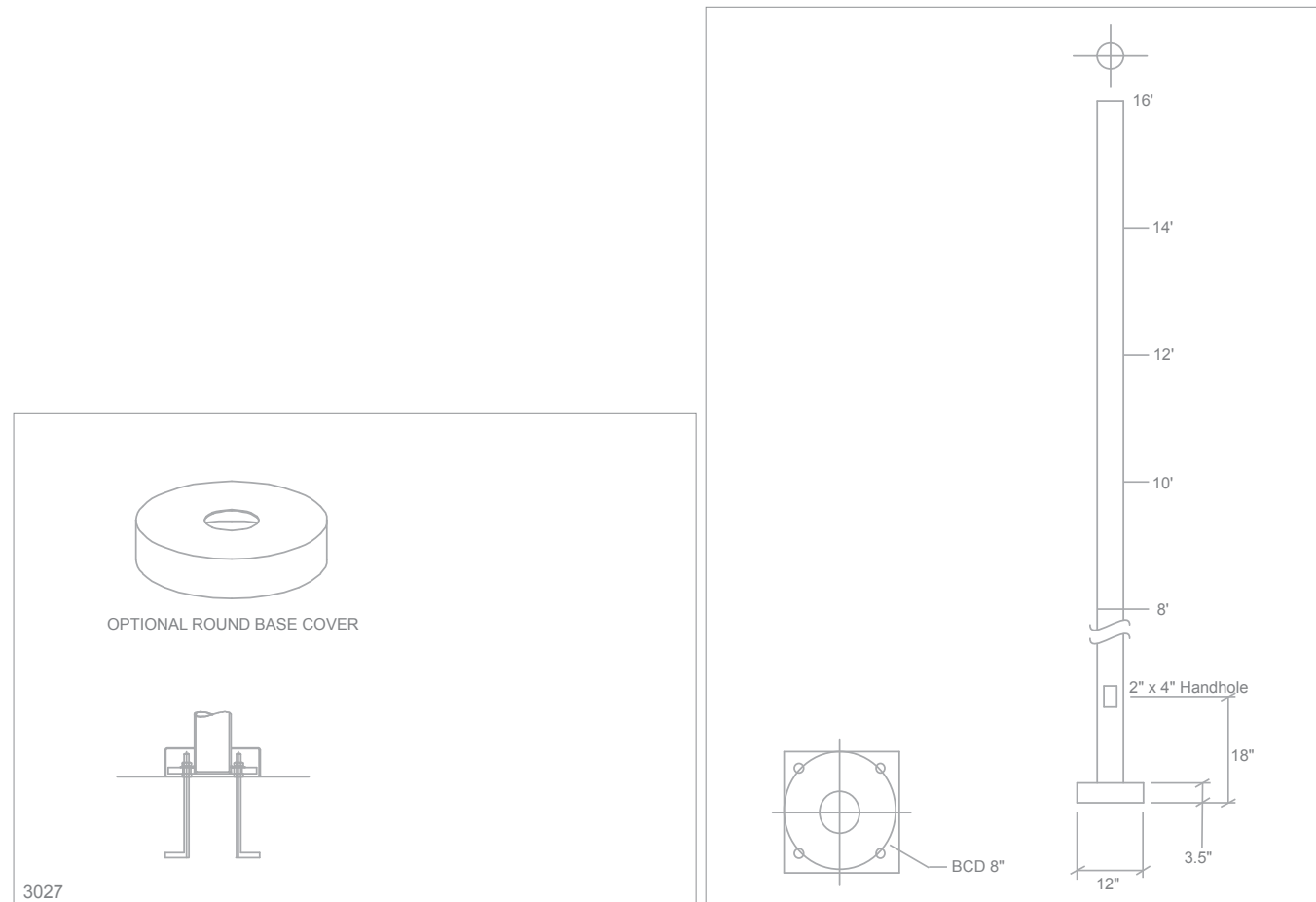


Poles

Standard or Decorative



Poles



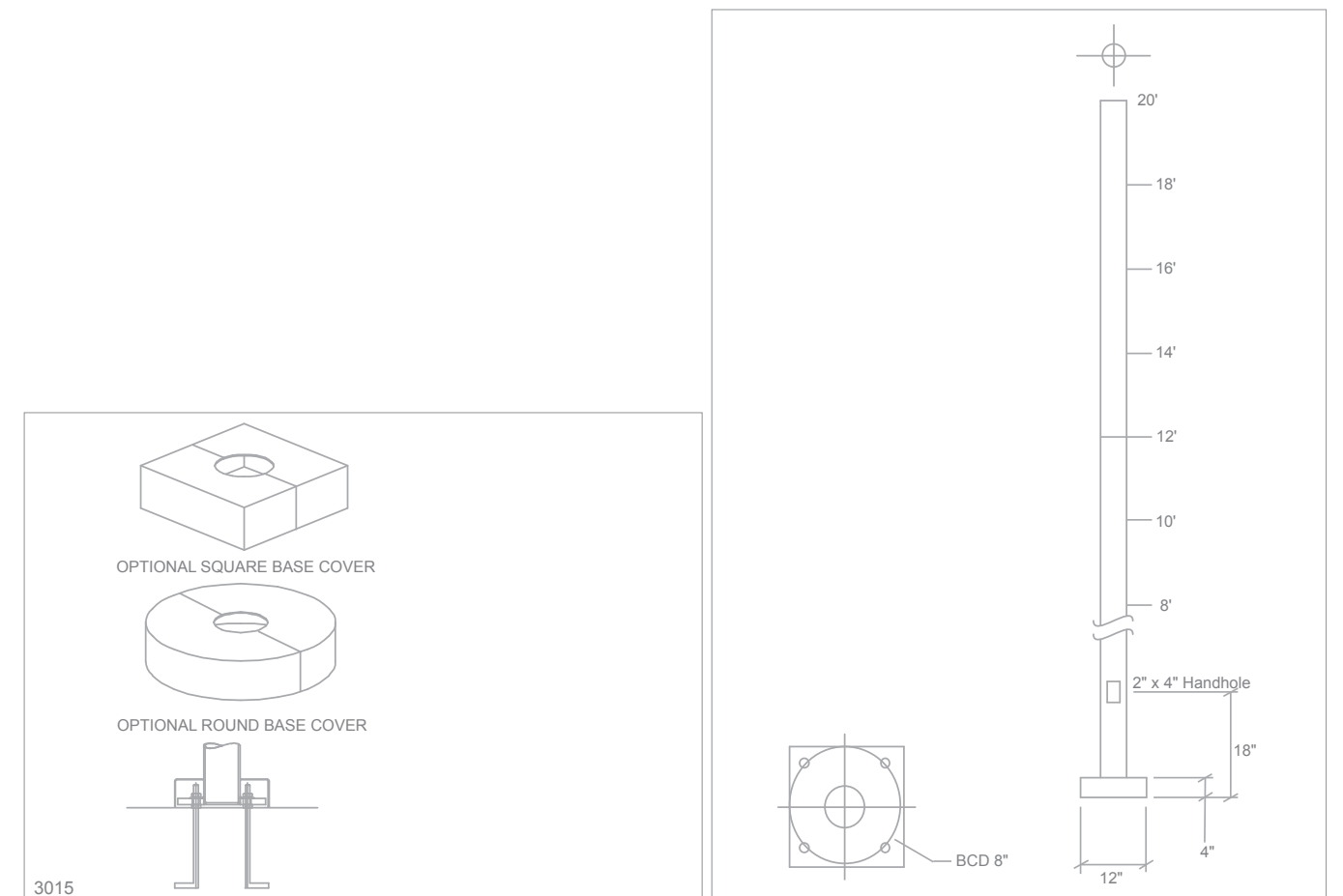
Poles 3027 Steel Straight 3" Diameter .120" Wall

EXTERIOR

MATERIAL High strength electric welded steel tubing that is welded to the top and bottom of a steel base plate. Maintenance opening is provided with ground lug and cover.

PROTECTION Hot etch chemical bath with polyester powder coat with UV and salt spray resistance.

MODEL	HEIGHT	WEIGHT	EPA RATING			ANCHOR BOLTS	OPTIONS	COLOR
			80	90	100			
3027	8	40	14.3	9.0	7.7	3/4 - 17	DR duplex receptacle weather tight GFI ground fault interrupting duplex receptacle TP tamper proof hand hole screws BCR two piece round base cover - steel GLV galvanized under paint	8 standard powder paints, RAL and custom available
	10	55	10.0	7.7	6.0			
	12	60	7.7	5.8	4.4			
	14	70	6.0	4.4	3.3			
	16	80	4.6	3.2	2.3			



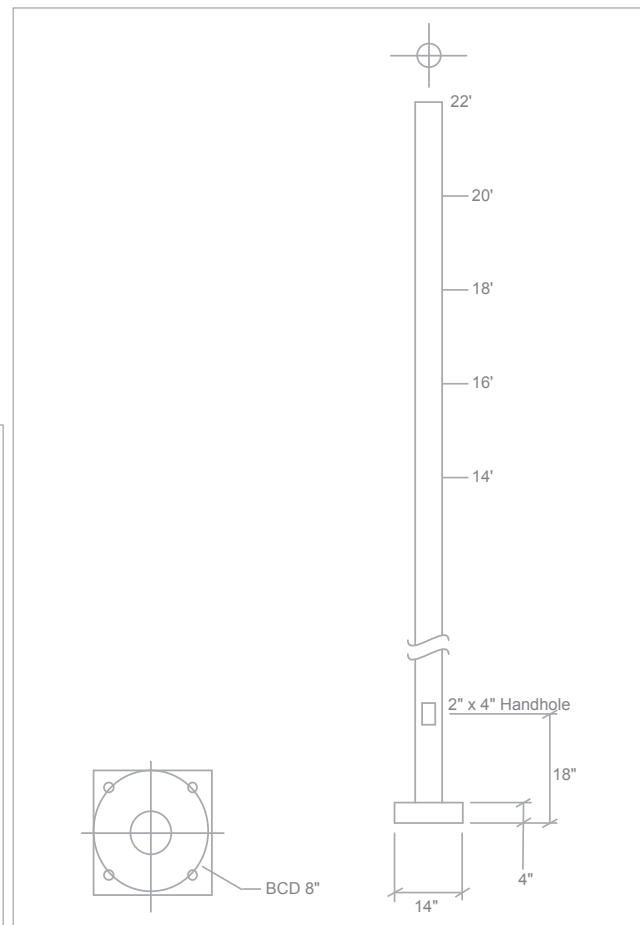
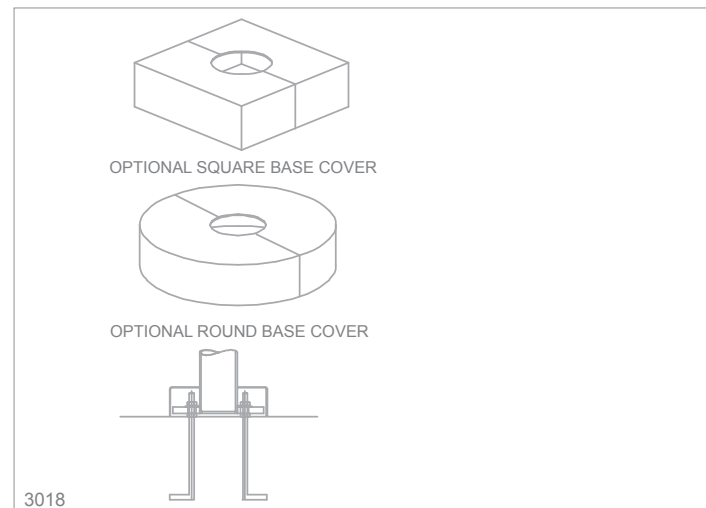
Poles 3015 Steel Straight 4" Diameter .120" Wall

EXTERIOR

MATERIAL High strength electric welded steel tubing welded to the top and bottom of a steel base plate. Maintenance opening is provided with ground lug and cover.

PROTECTION Hot etch chemical bath with polyester powder coat with UV and salt spray resistance.

MODEL	HEIGHT	WEIGHT	EPA RATING			ANCHOR BOLTS	OPTIONS	COLOR
			80	90	100			
3015	8	56	24.0	19.2	15.1	3/4 - 17	DR duplex receptacle weather tight GFI ground fault interrupting duplex receptacle TP tamper proof hand hole screws LS provision for loud speaker outlet PCB button type photocell (specify voltage) PCQ quarter turn photocell (specify voltage) BCR two piece round base cover - steel BCS two piece square base cover - steel BCH hinged base design consult factory GLV galvanized under paint	8 standard powder paints, RAL and custom available
	10	70	19.1	15.0	12.2			
	12	80	15.0	11.8	9.5			
	14	90	12.2	9.4	7.6			
	16	100	9.6	7.4	5.9			
	18	110	7.6	5.7	4.5			
	20	120	6.0	4.4	3.4			



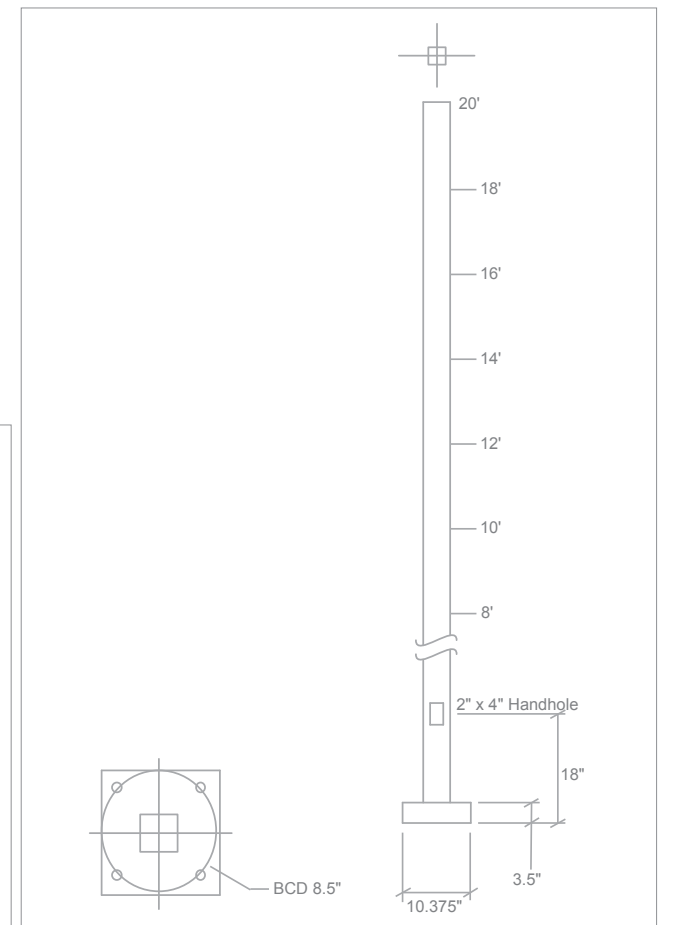
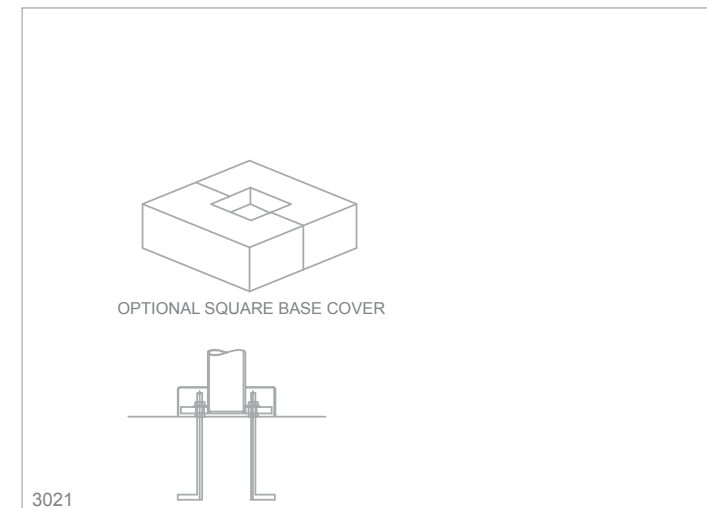
Poles 3018 Steel Straight 5" Diameter .120" Wall

EXTERIOR

MATERIAL High strength electric welded steel tubing welded to the top and bottom of a steel base plate. Maintenance opening is provided with ground lug and cover.

PROTECTION Hot etch chemical bath with polyester powder coat with UV and salt spray resistance.

MODEL	HEIGHT	WEIGHT	EPA RATING			ANCHOR BOLTS	OPTIONS	COLOR
			80	90	100			
3018	14	105	N/A	N/A	N/A	3/4 - 17	DR duplex receptacle weather tight	8 standard powder paints, RAL and custom available
	16	116	N/A	N/A	N/A		GFI ground fault interrupting duplex receptacle	
	18	130	10.5	8.2	6.5		TP tamper proof hand hole screws	
	20	145	11.7	9.1	7.2		LS provision for loud speaker outlet	
	22	160	7.2	5.5	4.2		PCB button type photocell (specify voltage)	
						PCQ quarter turn photocell (specify voltage)		
						BCR two piece round base cover - steel		
						BCS two piece square base cover - steel		
						BCH hinged base design consult factory		
						GLV galvanized under paint		



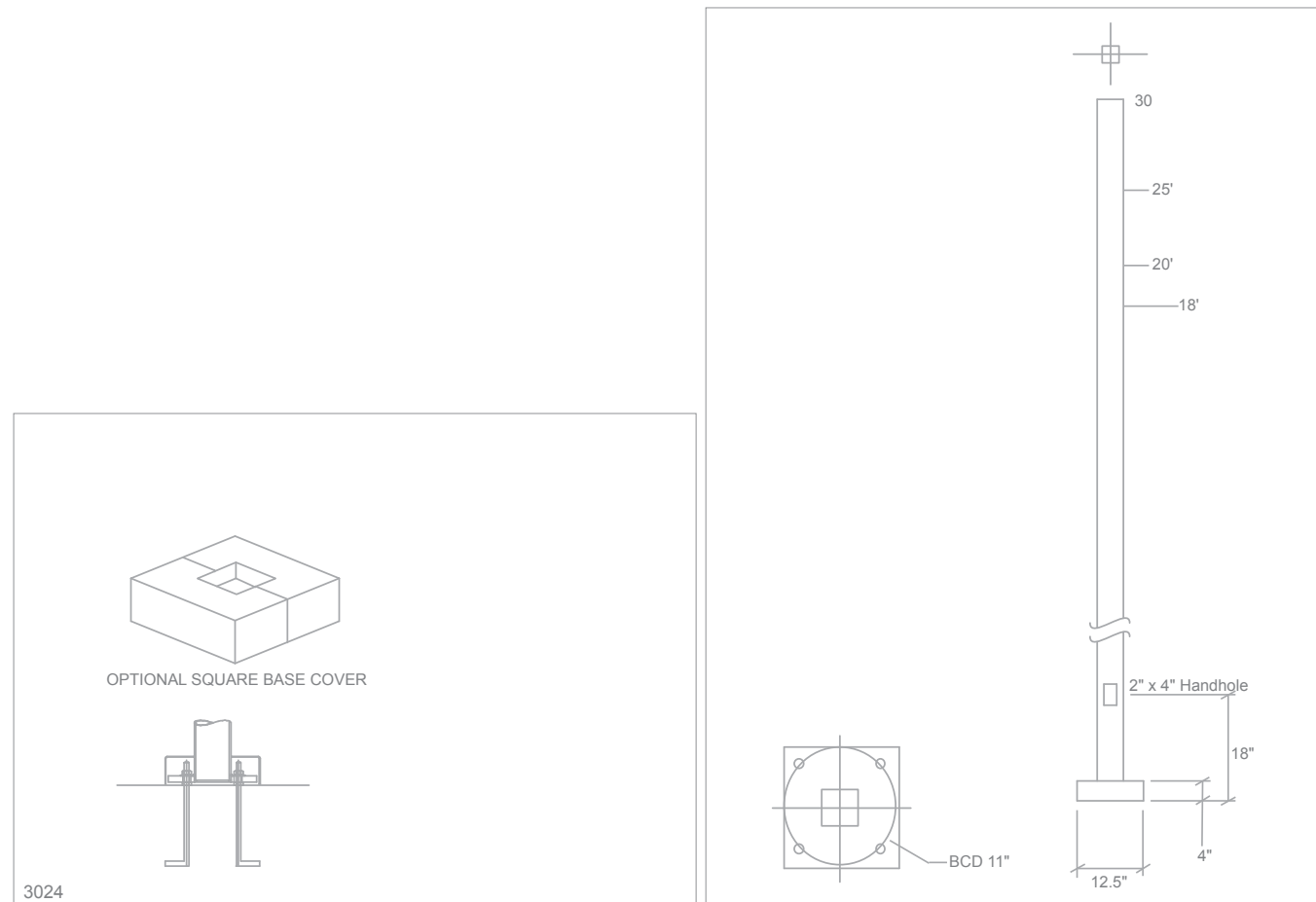
Poles 3021 Steel Straight 4" Square .120" Wall

EXTERIOR

MATERIAL High strength electric welded steel tubing welded to the top and bottom of a steel base plate. Maintenance opening is provided with ground lug and cover.

PROTECTION Hot etch chemical bath with polyester powder coat with UV and salt spray resistance.

MODEL	HEIGHT	WEIGHT	EPA RATING			ANCHOR BOLTS	OPTIONS	COLOR
			80	90	100			
3021	8	65	N/A	N/A	N/A	3/4 - 17	DR duplex receptacle weather tight	8 standard powder paints, RAL and custom available
	10	75	30.6	23.8	18.9		GFI ground fault interrupting duplex receptacle	
	12	90	24.4	18.8	14.8		TP tamper proof hand hole screws	
	14	100	19.9	15.1	11.7		LS provision for loud speaker outlet	
	16	115	15.9	11.8	8.9		PCB button type photocell (specify voltage)	
	18	125	12.6	9.2	6.7		PCQ quarter turn photocell (specify voltage)	
20	140	9.6	6.7	4.5	BCS two piece square base cover - steel			
						BCH hinged base design consult factory		
						GLV galvanized under paint		



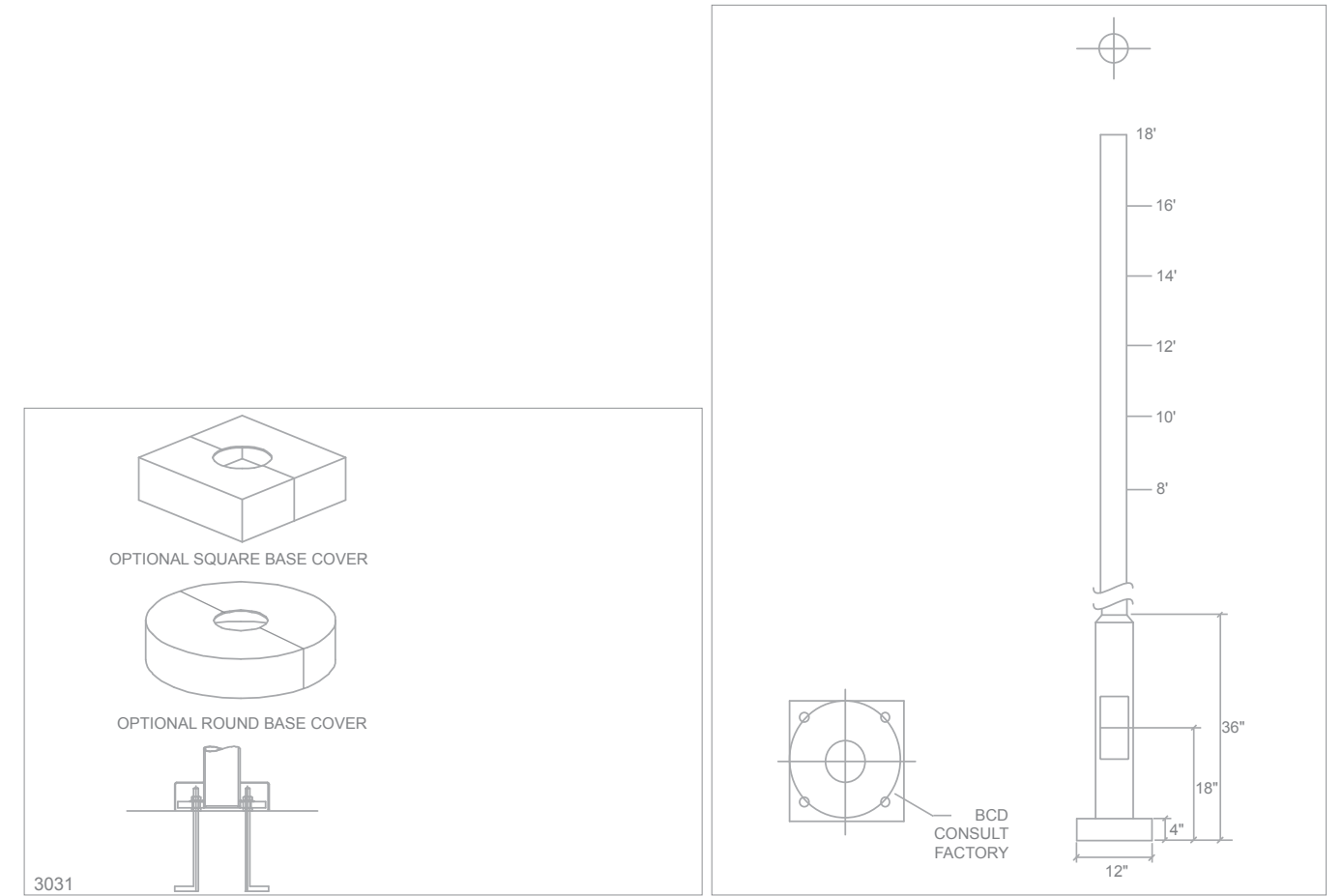
Poles 3024 Steel Straight 5" Square .120" Wall

EXTERIOR

MATERIAL High strength electric welded steel tubing welded to the top and bottom of a steel base plate. Maintenance opening is provided with ground lug and cover.

PROTECTION Hot etch chemical bath with polyester powder coat with UV and salt spray resistance.

MODEL	HEIGHT	WEIGHT	EPA RATING			ANCHOR BOLTS	OPTIONS	COLOR
			80	90	100			
3024	18	165	N/A	N/A	N/A	3/4 - 17	DR duplex receptacle weather tight	8 standard powder paints, RAL and custom available
	20	185	17.7	12.7	9.4		GFI ground fault interrupting duplex receptacle	
	25	225	9.8	6.3	3.7		TP tamper proof hand hole screws	
	30	265	4.7	2.0	N/A		LS provision for loud speaker outlet	
						PCB button type photocell (specify voltage)		
						PCQ quarter turn photocell (specify voltage)		
						BCS two piece square base cover - steel		
						BCH hinged base design consult factory		
						GLV galvanized under paint		



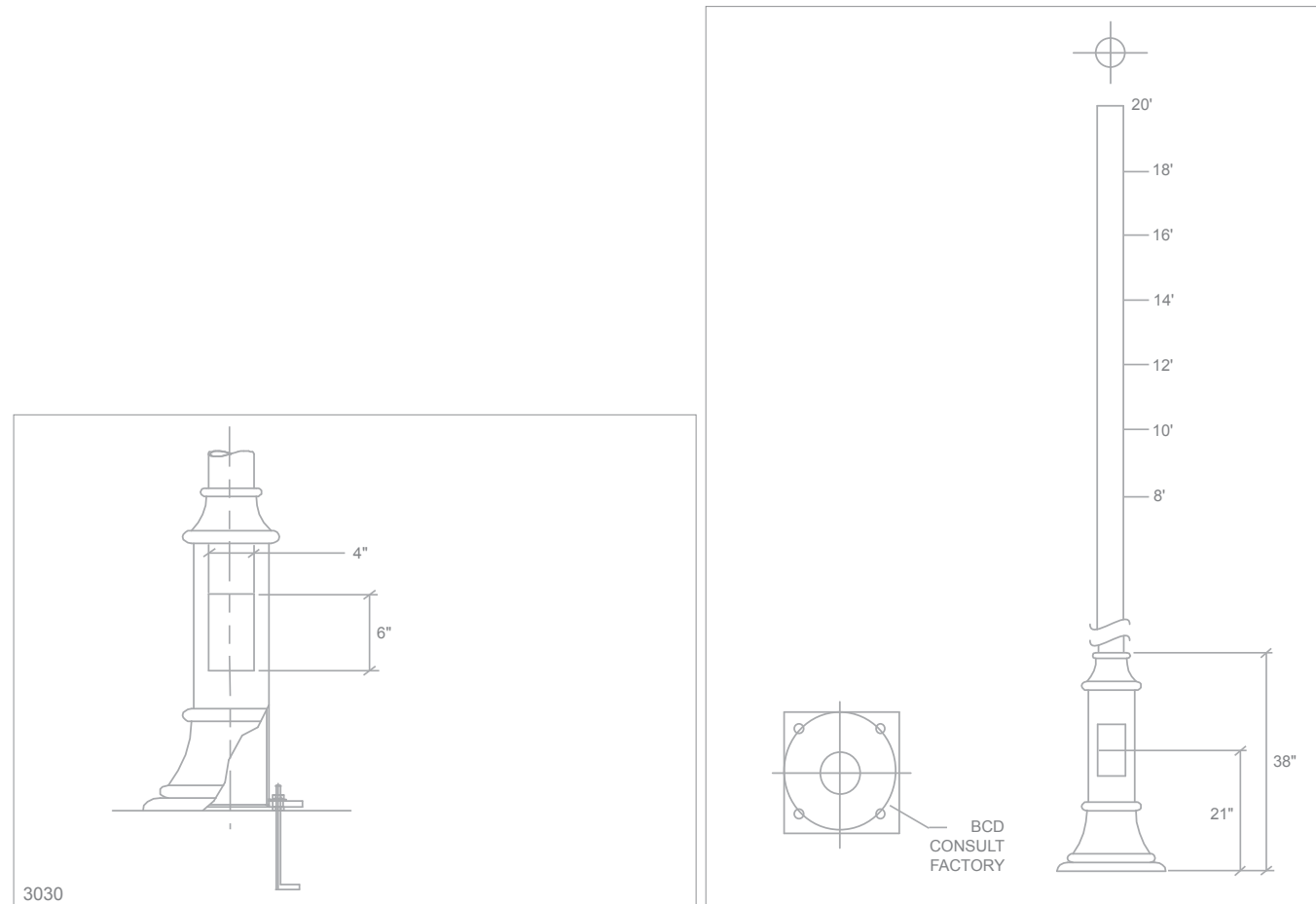
Poles 3031 Steel Bottleneck 4" x 6" Diameter .125" Wall

EXTERIOR

MATERIAL High strength electric welded steel tubing using Ø4" pole material welded over and in a Ø6" pole base. Maintenance opening is provided with ground lug and provision for a ballast tray.

PROTECTION Hot etch chemical bath with polyester powder coat with UV and salt spray resistance.

MODEL	HEIGHT	WEIGHT	EPA RATING			ANCHOR BOLTS	OPTIONS	COLOR
			70	80	100			
3031	8	85	27.5	21.2	13.4	3/4 - 17	DR duplex receptacle weather tight	8 standard powder paints, RAL and custom available
	10	96	21.8	16.6	10.3		GFI ground fault interrupting duplex receptacle	
	12	107	17.6	13.2	8.0		TP tamper proof hand hole screws	
	14	118	11.8	8.8	5.1		LS provision for loud speaker outlet	
	16	129	8.4	6.2	3.5		PCB button type photocell (specify voltage)	
	18	140	6.0	4.3	2.2		PCQ quarter turn photocell (specify voltage)	
						BCR two piece round base cover - steel		
						BCS two piece square base cover		
						GLV galvanized under paint		

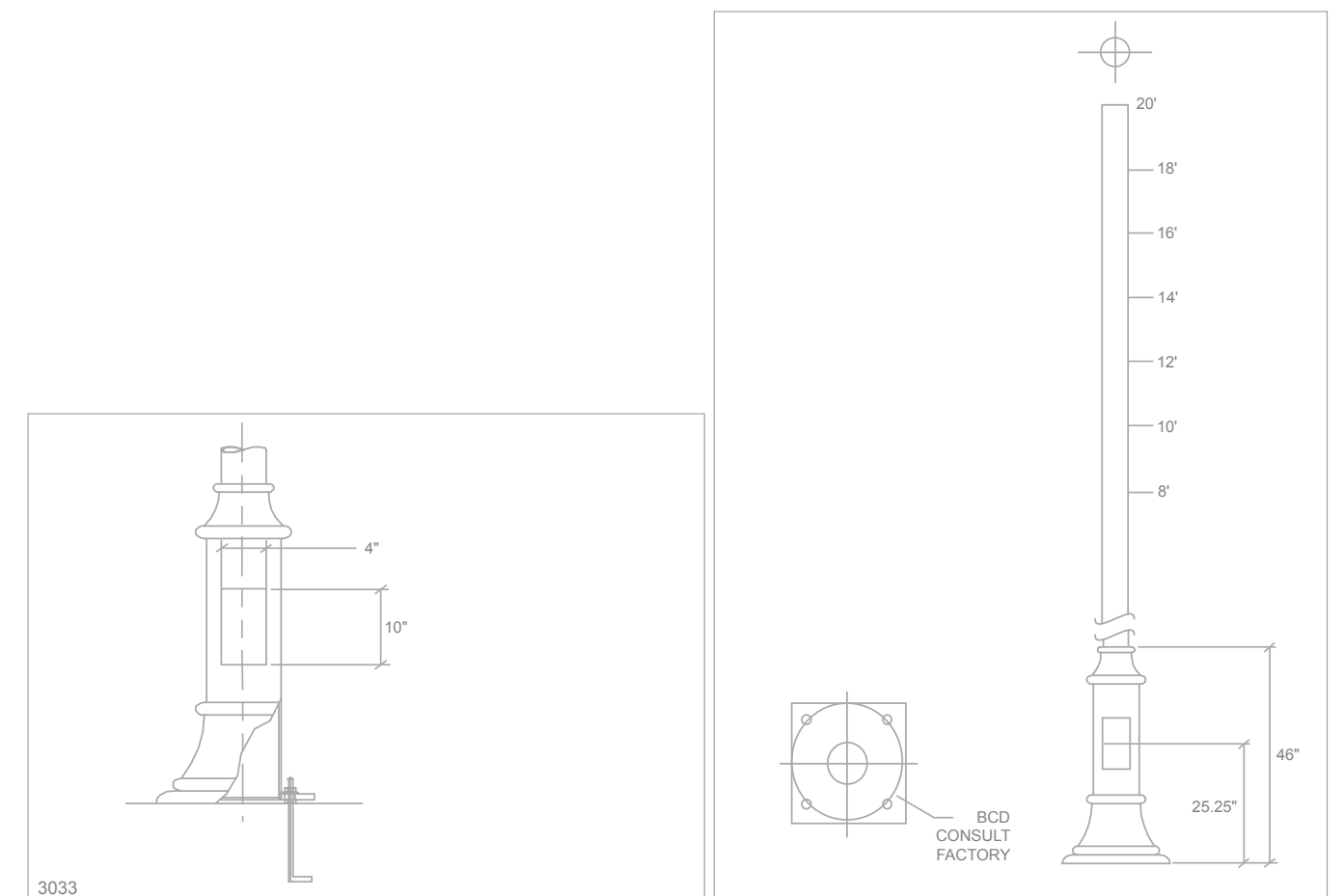


Poles 3030 Steel Bottleneck 4" x 6 5/8" Diameter .125" Wall EXTERIOR

MATERIAL High strength electric welded steel tubing using Ø4" pole material welded over and in a Ø6 5/8" pole base, assembly is welded to top and bottom of steel base plate. A maintenance opening is provided with ground lug cover.

PROTECTION Hot etch chemical bath with polyester powder coat with UV and salt spray resistance.

MODEL	HEIGHT	WEIGHT	EPA RATING			ANCHOR BOLTS	COLOR
			70	80	100		
3030	8	85	30.0	30.0	20.8	3/4 - 17	8 standard powder paints, RAL and custom available
	10	95	30.0	23.5	15.2		
	12	105	23.6	18.3	11.6		
	14	115	15.5	11.8	7.3		
	16	125	12.4	9.0	5.5		
	18	135	9.0	6.5	3.7		
20	145	6.6	4.6	2.3			

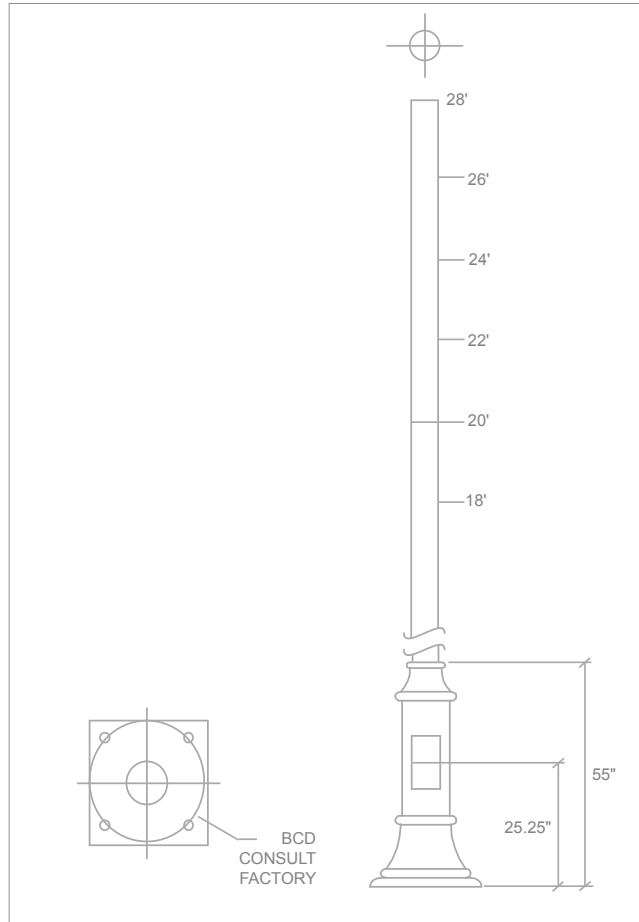
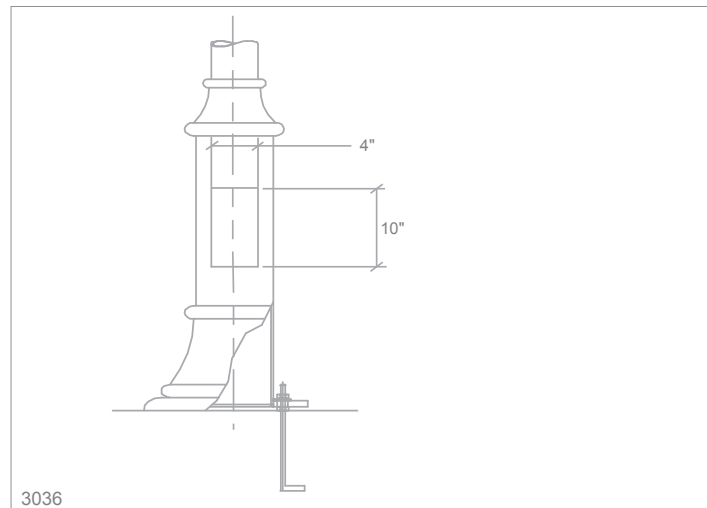


Poles 3033 Steel Bottleneck 4" x 8 5/8" Diameter .125" Wall EXTERIOR

MATERIAL High strength electric welded steel tubing using Ø4" pole material welded over and in a Ø8 5/8" pole base, assembly is welded to top and bottom of steel base plate. A maintenance opening is provided with ground lug cover.

PROTECTION Hot etch chemical bath with polyester powder coat with UV and salt spray resistance.

MODEL	HEIGHT	WEIGHT	EPA RATING			ANCHOR BOLTS	COLOR
			70	80	100		
3033	8	117	30.0	30.0	22.5	3/4 - 17	8 standard powder paints, RAL and custom available
	10	127	30.0	25.2	16.2		
	12	137	25.5	19.3	12.3		
	14	146	16.2	12.3	7.6		
	16	156	13.3	10.0	6.0		
	18	166	10.0	7.4	4.2		
20	177	7.3	2.5	2.5			



3036

Poles 3036 Steel Bottleneck 5 9/16" x 8 5/8" Diameter .250" Wall EXTERIOR

MATERIAL High strength electric welded steel tubing using Ø5 9/16" pole material welded over and in a Ø8 5/8" pole base, assembly welded to top and bottom of steel base plate. A maintenance opening is provided with ground lug cover.

PROTECTION Hot etch chemical bath with polyester powder coat with UV and salt spray resistance.

MODEL	HEIGHT	WEIGHT	EPA RATING			ANCHOR BOLTS	COLOR
			70	80	100		
3036	18	258	30.0	30.0	24.8	consult factory	8 standard powder paints, RAL and custom available
	20	287	30.0	30.0	18.9		
	22	315	30.0	24.2	14.6		
	24	344	26.2	19.3	11.3		
	26	372	21.3	15.5	8.7		
	28	400	17.4	12.4	6.6		



Index Listing

Product Family Index

STREAMLINE	7010LR	78	2810W	122	2400SS	175
	7100	75			2868	179
6002	7100LR	75	S A T U R N A		2868LED	181
6001	7200	79			8000	177
6000	7200P	79	4000	148	8000LED	178
6011	7500	82	4001	147		
6010	7501	82	4002	148	P O L E S	
6009	7502	83	4003	147		
6008	7504	83	4004	138	3015	187
6007	7600	73	4005	136	3018	188
6006	7600T	73	4006	137	3021	189
6014	7601	73	4007	135	3024	190
6013			4007A	140	3027	186
6017	ORCHESTRA CIRCLE		4007X2	135	3030	192
6016			4009	145	3031	191
6023	2756	103	4010	144	3033	193
6022	2756A	95	4010T	144	3036	194
6005	2756A2	95	4012	141		
6004	2756B	96	4013	139		
6003	2756P	103	4014	143		
6005U	2756S	100	4015	142		
6004U	2756SL	101	5008	152		
6003U	2756T	93	5008C	153		
6005Z	2756W	99	5008H	152		
6004Z	2757	104	5008NG	152		
6003Z	2757B	97	5009	155		
6019	2757P	104	5009C	157		
6018	2757S	107	5009H	155		
6021	2757SL	108	5009NG	155		
6020	2757T	94			S I G H T L I N E S	
6005IY	2757W	105				
6004IY	2758	109			1185	165
6001P	2758P	109			1572	170
6000P					1572SS	170
6032Z	ORCHESTRA ELLIPSE				1573	169
6030D					1573SS	169
6030DS	2809	125			1573R	167
6030U	2809B	121			1573RSS	167
6032ZP	2809P	125			1635	174
6032Z2P	2809T	117			1635SS	174
	2809W	123			1645	173
C Y L - 0 0 3	2810	124			1645SS	173
	2810A	119			1645V	171
7000	2810A2	119			1976	164
7000LR	2810P	124			2400	175
7010	2810T	116			1635	174



Luminaire Type Index

P O S T T O P	6004	27	6030D	61	2400	175
	6005	26	6030DS	61	1635	174
2756T	7000	77			1572SS	170
2757T	7000LR	77	P E N D A N T		1573RSS	167
2809T	7010	78			1573SS	169
2810T	7010LR	78	2756P	103	1645SS	173
2756A	7100	75	2757P	104	1635SS	174
2756A2	7100LR	75	2758P	109	2400SS	175
2810A	7500	82	2810P	124	8000	177
2810A2	7501	82	2809P	125	8000LED	178
4007			4002	148	5009	155
4007A	W A L L A R M		4003	147	5009H	155
4007X2			7200P	79	5009C	157
4006	2756W	99	6001P	50	5009NG	155
4010	2757W	105	6000P	51		
6018	2809W	123	6013	43	P O L E S	
6019	2810W	122	6014	42		
6020	4004	138	6016	43	3027	186
6021	4005	136	6017	42	3018	188
7601	6006	41	6022	43	3015	187
7600	6007	40	6023	42	3021	189
	6008	39	6032Z2P	62	3024	190
B O L L A R D	6009	41	6032ZP	62	3030	192
	6010	40	7502	83	3031	191
2756B	6011	39	7504	83	3036	194
2757B	4010T	144			3033	193
2809B	4014	143	C E I L I N G			
2868	4015	142				
2868LED	6005U	26	4000	148		
4009	6005Z	26	4001	147		
	6004U	27	2756	103		
P E D E S T A L	6004Z	27	2757	104		
	6003U	29	2758	109		
6005IY	6003Z	29	2810	124		
6004IY	7600T	73	2809	125		
	6032Z	58	7200	79		
W A L L M O U N T			R E C E S S E D			
5008	S C O N C E		1976	164		
5008C		2756S	1572	170		
5008H		2756SL	1573R	167		
5008NG		2757S	1573	169		
6000		2757SL	1185	165		
6001		4013	1645	173		
6002		4012	1645V	171		
6003		6030U	1645V	171		



Index Listing

Alphanumerical Index

1185	165	3021	189	6005Z	26
1572	170	3024	190	6006	41
1572SS	170	3027	186	6007	40
1573	169	3030	192	6008	39
1573R	167	3031	191	6009	41
1573RSS	167	3033	193	6010	40
1573SS	169	3036	194	6011	39
1635	174	4000	148	6013	43
1635SS	174	4001	147	6014	42
1645	173	4002	148	6016	43
1645SS	173	4003	147	6017	42
1645V	171	4004	138	6018	31
1976	164	4005	136	6019	30
2400	175	4006	137	6020	31
2400SS	175	4007	135	6021	30
2756	103	4007A	140	6022	43
2756A	95	4007X2	135	6023	42
2756A2	95	4009	145	6030U	59
2756B	96	4010	144	6030D	61
2756P	103	4010T	144	6030DS	61
2756S	100	4012	141	6032Z	58
2756SL	101	4013	139	6032ZP	62
2756T	93	4014	143	6032Z2P	62
2756W	99	4015	142	7000	77
2757	104	5008	152	7000LR	77
2757B	97	5008C	153	7010	78
2757P	104	5008H	152	7010LR	78
2757S	107	5008NG	152	7100	75
2757SL	108	5009	155	7100LR	75
2757T	94	5009C	157	7200	79
2757W	105	5009H	155	7200P	79
2809	125	5009NG	155	7500	82
2809B	121	6000	41	7501	82
2809P	125	6001	40	7502	83
2809T	117	6001P	50	7600	73
2809W	123	6002	39	7600T	73
2810	124	6003	29	7601	73
2810A	119	6003U	29	8000	177
2810A2	119	6003Z	29	8000LED	178
2810P	124	6004	27		
2810T	116	6004IY	49		
2810W	122	6004U	27		
2868	179	6004Z	27		
2868LED	181	6005	26		
3015	187	6005IY	48		
3018	188	6005U	26		





REBELLE ARCHITECTURAL LIGHTING

11475 201A Street, Maple Ridge, BC V2X 0Y3

P 604.465.5739 **F** 604.465.9807 **W** rebellemighting.com